

FILE NO.

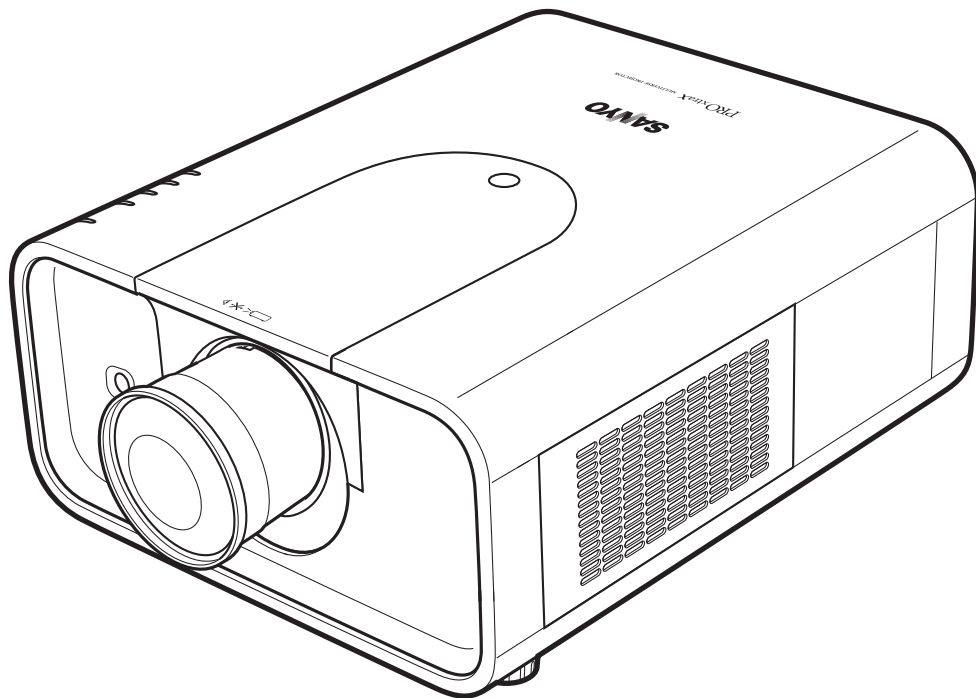
SERVICE MANUAL

Multimedia Projector

Model No. PLC-XP200L

U.S.A, Canada,
Europe, U.K, Asia

Original Version



* Projection lens is optional.

Chassis No. KR7-XP200L00

Match the Chassis No. on the unit's back cover with the Chassis No. in the Service Manual.
If the Original Version Service Manual Chassis No. does not match the unit's, additional Service Literature is required. You must refer to "Notices" to the Original Service Manual prior to servicing the unit.

PRODUCT CODE

1 122 443 20 (KR7AL)

1 122 444 20 (LR7AL)

1 122 444 22 (LR7CL)

REFERENCE NO. SM5111003-00


Contents

SERVICE MANUAL	1	LCD drive stage	67
Contents	2	Lamp control stage	68
Safety Instructions	3	Fan control stage	69
Safety Precautions	3	Motor control stage	70
Product Safety Notice	3	Bus control stage	71
Service Personnel Warning	3	LED drive & RC control stage	72
Specifications	4	Power supply & power failure circuit	73
Circuit Protections	5	Indicators and Projector Condition	74
Fuse	5	Power failure detection system	77
Thermal protector (SW905)	5	Error information table	77
Mechanical sensor switches (SW1891,SW1861)	6	Power failure detection tree	78
Temperature sensors, wind sensors	7	Error History Log	80
Power failure and fan lock detection	8	Diagnosis of Power Failure with RS-232C port	81
Maintenance	9	Diagnosis procedure	81
Replacing the Filter Cartridge	9	Serial Control Interface	82
Resetting the Filter Counter	10	Control Port Functions	84
Resetting the Scroll Counter	10	System Control I/O Port Functions (PW392, IC301)	84
Lamp Replacement	11	I/O Expander (TE7783, IC4801)	85
Resetting the Lamp Counter	12	FPGA (XC3S50A, IC5201)	86
How to check Lamp Used Time	12	IIC Bus D/A Converter (M62393FP Fan Control, IC7801)	86
Cleaning	13	Waveform	87
Quick maintenance	14	IC Block Diagrams	88
Security Function Notice	15	Electrical Parts List	96
Mechanical Disassembly	16	Electrical Parts Location	97
Mechanical disassembly flow chart	16	Electrical Parts List	99
Mechanical disassembly	17	Mechanical Parts List	131
Optical Parts Disassembly	29	Cabinet Parts Location	131
Adjustments	40	Mechanical Parts List	137
Adjustments after Parts Replacement	40	Diagrams & Drawings	A1
Note on Main Board Replacement	40	Parts description and reading in schematic diagram	A2
Optical Adjustments	41	Schematic Diagrams	A3
Contrast adjustment	41	Printed Wiring Board Diagrams	A11
Electrical Adjustments	42	Pin description of diode, transistor and IC	A15
Service Adjustment Menu Operation	42	Note on Soldering	A16
Memory IC (IC1387) Replacement	42		
Circuit Adjustments	43		
Test Points and Locations	46		
Service Adjustment Data Table	47		
Chassis Description	65		
Chassis over view	65		
Input & signal processing stage	66		

Safety Instructions

Safety Precautions

WARNING:

The chassis of this projector is isolated (COLD) from AC line by using the converter transformer. Primary side of the converter and lamp power supply unit circuit is connected to the AC line and it is hot, which hot circuit is identified with the line () in the schematic diagram. For continued product safety and protection of personnel injury, servicing should be made with qualified personnel.

The following precautions must be observed.

1: An isolation transformer should be connected in the power line between the projector and the AC line before any service is performed on the projector.

2: Comply with all caution and safety-related notes provided on the cabinet back, cabinet bottom, inside the cabinet or on the chassis.

3: When replacing a chassis in the cabinet, always be certain that all the protective devices are installed properly, such as, control knobs, adjust-


ment covers or shields, barriers, etc.

DO NOT OPERATE THIS PROJECTOR WITHOUT THE PROTECTIVE SHIELD IN POSITION AND PROPERLY SECURED.

4: Before replacing the cabinet cover, thoroughly inspect the inside of the cabinet to see that no stray parts or tools have been left inside.

Before returning any projector to the customer, the service personnel must be sure it is completely safe to operate without danger of electric shock.

Product Safety Notice

Product safety should be considered when a component replacement is made in any area of the projector. Components indicated by mark  in the parts list and the schematic diagram designate components in which safety can be of special significance. It is, therefore, particularly recommended that the replacement of these parts must be made by exactly the same parts.

Service Personnel Warning

Eye damage may result from directly viewing the light produced by the Lamp used in this equipment. Always turn off Lamp before opening cover. The Ultraviolet radiation eye protection required during this servicing. Never turn the power on without the lamp to avoid electric-shock or damage of the devices since the stabilizer generates high voltages (15kV - 25kV) at its starts. Since the lamp is very high temperature during units operation replacement of the lamp should be done at least 45 minutes after the power has been turned off, to allow the lamp cool-off.

Specifications

Mechanical Information

Projector Type	Multi-media Projector
Dimensions (W x H x D)	14.56" x 7.36" x 17.32" (370.0 mm x 187.0 mm x 439.9 mm)
Net Weight	25.1 lbs (11.4 kg)
Feet Adjustment	0° to 6.5°

Panel Resolution

LCD Panel System	1.3" TFT Active Matrix type, 3 panels
Panel Resolution	1,024 x 768 dots
Number of Pixels	2,359,296 (1,024 x 768 x 3 panels)

Signal Compatibility

Color System	PAL, SECAM, NTSC, NTSC4.43, PAL-M, and PAL-N
High Definition TV Signal	480i, 480p, 575i, 575p, 720p, 1035i, and 1080i
Scanning Frequency	H-sync. 15 kHz–100 kHz, V-sync. 48 Hz–100 Hz

Optical Information

Projection Lamp	330 W NSHA lamp
-----------------	-----------------

Interface

Input 1	Digital (DVI-D) x 1, Analog (Mini D-sub 15 pin) x 1
Input 2	BNC Type x 5 (G or Video/Y, B or Cb-Pb, R or Cr-Pr, HV and V)
Input 3	RCA Type x 3 (Video/Component), Mini DIN 4 pin x 1 (S-video)
Monitor Out	Analog RGB (Mini D-sub 15 pin) Terminal x 1
Audio Out	Audio (Mini Type stereo) x 1
Audio In I/II	Audio (Mini Type stereo) x 2
R/C Jack	Mini jack (Wired Remote) x 1
Control Port	D-sub 9 pin x 1
USB Connector	USB Series B x 1
Option	PJ-Net Organizer Terminal x 1

Power

Voltage and Power Consumption	AC 100–120 V (4.6A Max. Ampere), 50/60 Hz (The U.S.A and Canada) AC 200–240 V (2.3A Max. Ampere), 50/60 Hz (Continental Europe and The U.K.)
-------------------------------	---

Operating Environment

Operating Temperature	41°F–104°F (5°C–40°C)
Storage Temperature	14°F–140°F (-10°C–60°C)

Remote Control

Battery	AAA or LR03 Type x 2
Operating Range	16.4' (5 m/±30°)
Dimensions	1.8" (W) x 1.0" (H) x 5.7" (D) (45 mm x 25 mm x 145 mm)
Net Weight	3.5 oz (99 g) (including batteries)

Accessories

Owner's Manual (CD-ROM)	Lens Attachment (For option lens)
Quick Reference Guide	Light-block sheet (For option lens)
AC Power Cord	Spacer (For option lens)
Remote Control and Batteries	
VGA Cable	
USB Cable	
PIN Code Label	

- The specifications are subject to change without notice.
- LCD panels are manufactured to the highest possible standards. Even though 99.99% of the pixels are effective, a tiny fraction of the pixels (0.01% or less) may be ineffective by the characteristics of the LCD panels.



This symbol on the nameplate means the product is Listed by Underwriters Laboratories Inc. It is designed and manufactured to meet rigid U.L. safety standards against risk of fire, casualty and electrical hazards.

Circuit Protections

This projector provides the following circuit protections to operate in safety. If the abnormality occurs inside the projector, it will automatically turn off by operating one of the following protection circuits.

Fuse

A fuse is located inside of the projector. When the POWER indicator is not lighting, the fuse may be opened. Check the fuse as following steps.

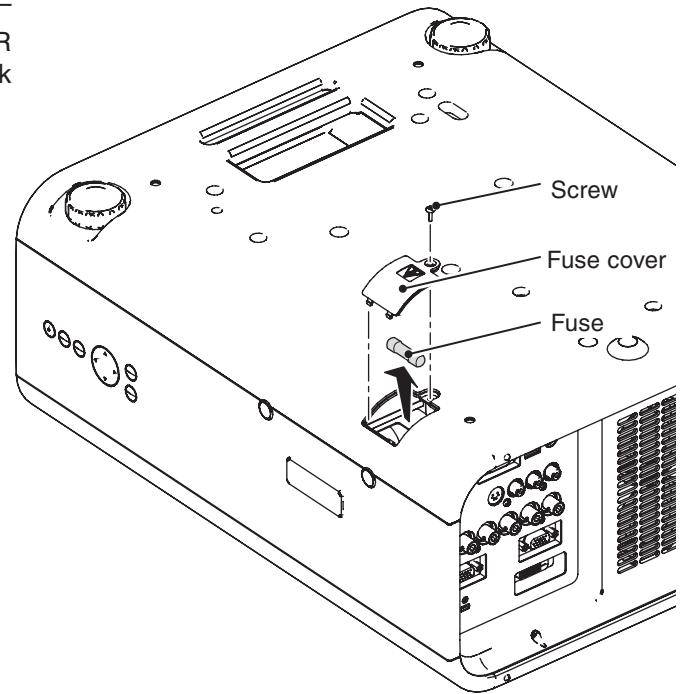
The fuse should be used with the following type;

Fuse Part No. : 323 027 2605
TYPE T10AH 250V
LITTEL FUSE INC. TYPE 215010

How to replace the fuse

1. Turn the projector up and down.
2. Remove 1 screw and take the fuse cover off.
3. Remove the fuse from fuse holder on the power board.

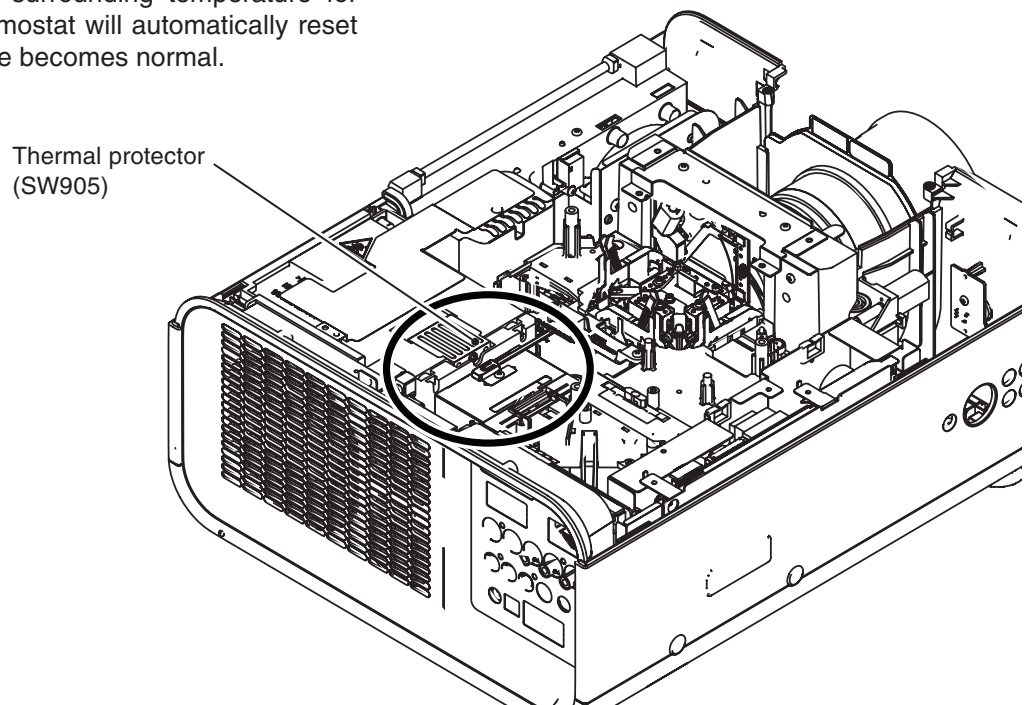
To install the fuse, take reversed step in the above.



Thermal protector (SW905)

There is the thermal protector (SW905) inside of the projector to detect the internal temperature rising abnormally. When the internal temperature reaches near 115°C, the thermal protector cuts off the current supplied to the power supply circuit.

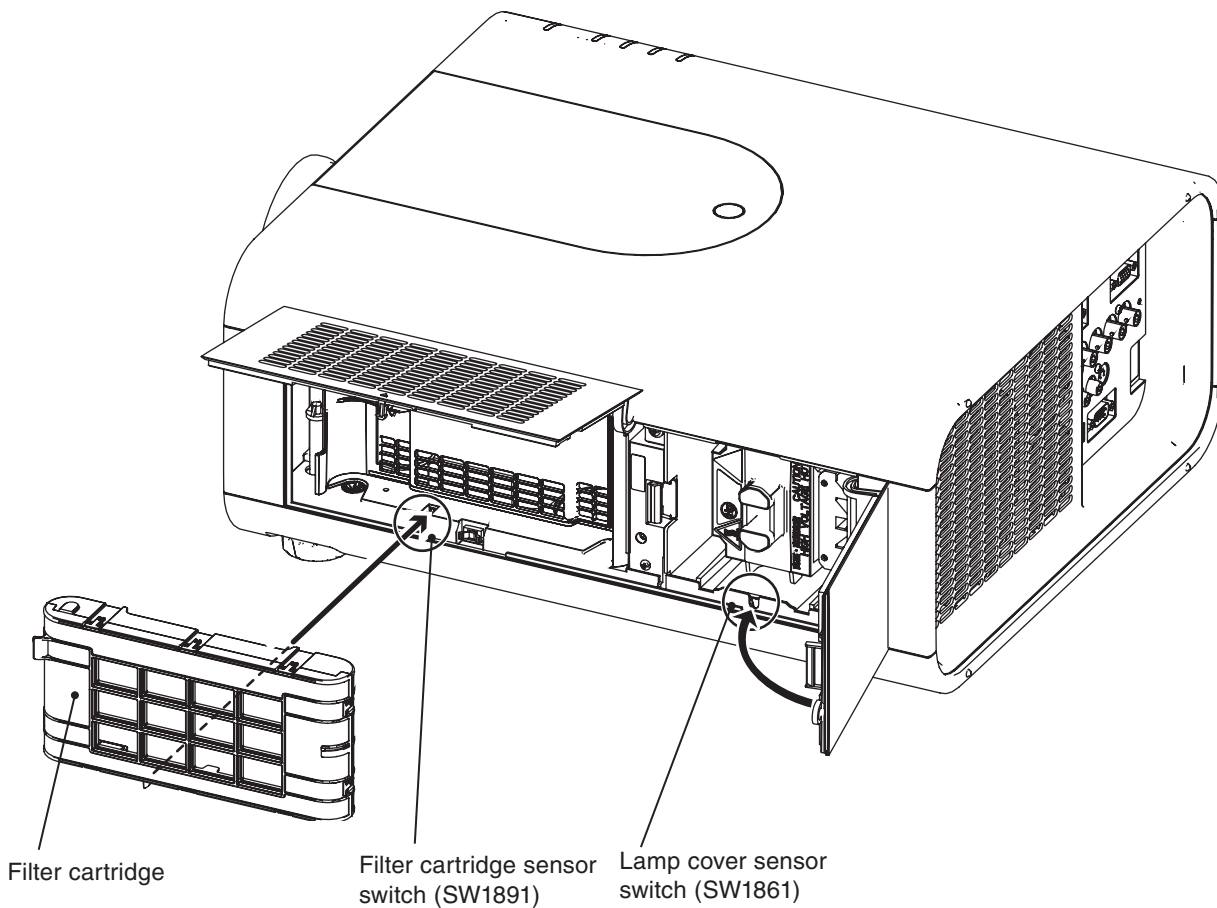
To reset the thermostat, disconnect the AC cord and leave the projector at the normal surrounding temperature for about 45 minutes. The thermostat will automatically reset when the internal temperature becomes normal.



Mechanical sensor switches (SW1891,SW1861)

This projector provides 2 mechanical sensor switches, the one is for filter cartridge sensor switch (SW1891) and the other one is for lamp cover sensor switch (SW1861). The filter cartridge sensor switch detects whether the filter cartridge is installed correctly. If the filter cartridge is not installed correctly, the projector cannot turn on.

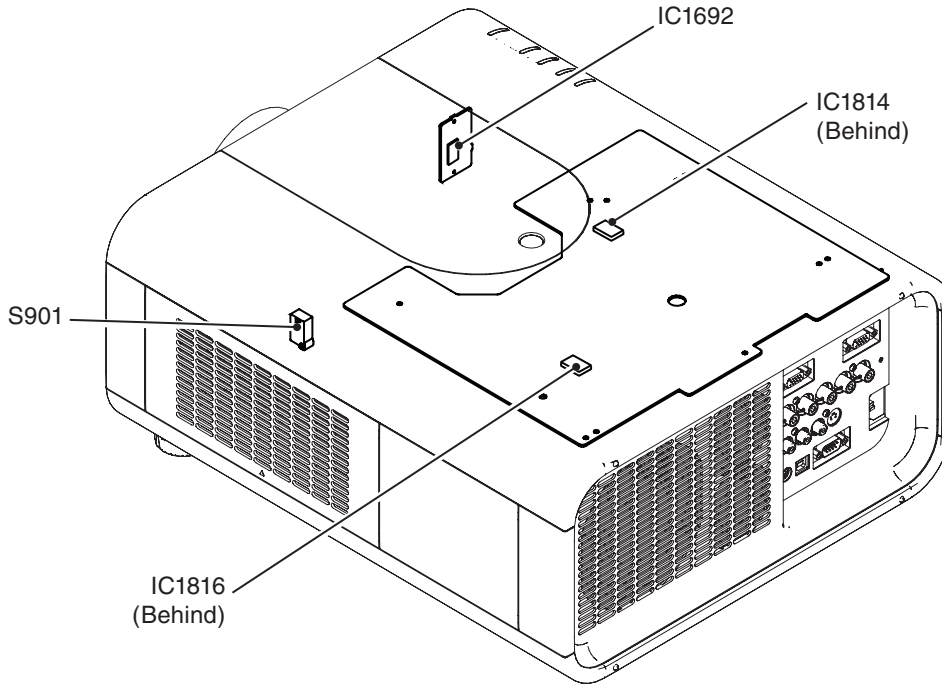
The lamp cover sensor switch detects whether the lamp cover is closed securely. If lamp cover is opened or not closed completely, the drive signal to the lamp circuit is cut off. After opening the lamp cover for replacing the lamp ass'y, place the lamp cover correctly otherwise the projector cannot turn on.



Temperature sensors, wind sensors

The projector provides 3 temperature sensor ICs, 2 sensors on the Main board and 1 sensor on the RC front board, and 1 wind sensor on the intake duct. The sensor ICs monitor surrounding temperature of the lamp house and panels/prism, and room temperature, and the wind sensor monitors airflow passed through the air filter in the intake duct.

- Internal temperature sensor B (IC1816) (around the lamp house)
- Internal temperature sensor C (IC1814) (around the panels/prism)
- Room temperature sensor A (IC1692) (around the front cabinet)
- Wind sensor D (S901) (intake duct)



The projector is shut down and the WARNING TEMP. indicator is blinking red.

When the temperature inside the projector reaches a certain level, the projector will be automatically shut down to protect the inside of the projector. The POWER indicator is blinking while the projector is being cooled down. When the projector has cooled down enough (to its normal operating temperature), it can be turned on again by pressing the ON/STANDBY button.

✓ Note:

- The WARNING TEMP. indicator continues to blink even after the temperature inside the projector returns to normal. When the projector is turned on again, the WARNING TEMP. indicator stops blinking.

LED indicators

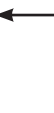
POWER

LAMP / SHUTTER

LAMP REPLACE

WARNING FILTER

WARNING TEMP.



**WARNING TEMP.
blinking red**

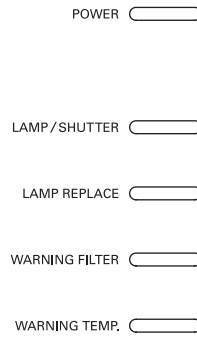
Power failure and fan lock detection

The projector provides the detection circuits of the power failure and the fan lock. When the detection circuit detects an error at the power supply line or at the fan operation circuit, the projector will turn into the standby mode to protect the other circuits defective.

The projector is shut down; and the LAMP indicator is lighting and other four indicators are blinking.

When the projector detects an abnormal condition, it will be automatically shut down to protect the inside of the projector and all five indicators on the top panel blink. In this case, unplug the AC power cord and plug it, and then turn on the projector once again to verify operation. If the projector cannot be turned on and these indicators are still blinking, unplug the AC power cord.

LED indicators



LAMP indicator lights on and other four indicators blink



CAUTION

DO NOT LEAVE THE PROJECTOR WITH THE AC POWER CORD CONNECTED UNDER AN ABNORMAL CONDITION. IT MAY RESULT IN FIRE OR ELECTRIC SHOCK.

Maintenance

Replacing the Filter Cartridge

Filter prevents dust from accumulating on the optical elements inside the projector. Should the filter becomes clogged with dust particles, it will reduce cooling fans' effectiveness and may result in internal heat buildup and adversely affect the life of the projector. This projector has an electrically operated filter which helps you to replace the filter easily. The projector monitors the condition of the filter at all time and replaces a filter with a new one automatically when it detects the clogging.

If the projector detects that the filter is clogged and no scroll is left in the filter cartridge, a Filter cartridge replacement icon appears on the screen and the WARNING FILTER indicator on the top panel lights up. When you see this icon, replace the filter cartridge and reset the Filter counter and the Scroll counter.

- 1** Turn off the projector, and unplug the AC power cord from the AC outlet.
- 2** First, clean up the dust on the projector and around the air vents.
- 3** Press ▼ on the filter cover to release the latch and open the filter cover.
- 4** Pull out the filter cartridge. When taking out the filter cartridge, put your finger on the filter cartridge's tab and then pull.
- 5** Put the new one back into the position and close the filter cover. Make sure that the filter cartridge is properly and fully inserted.
- 6** Connect the AC power cord to the projector and turn on the projector.
- 7** **Reset the filter counter and the scroll counter.**



CAUTION

Do not operate the projector with the filter removed. Dust may accumulate on the optical elements degrading the picture quality. Do not put anything into the air vents. Doing so may result in malfunction of the projector.

RECOMMENDATION

We recommend avoiding dusty/smoky environments when operating the projector. Usage in these environments may cause a poor image quality.

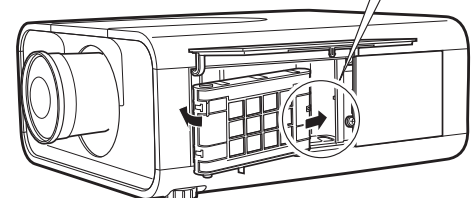
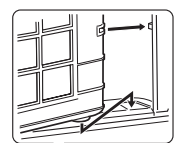
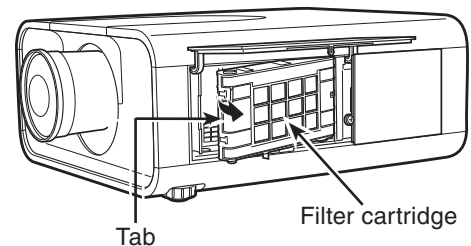
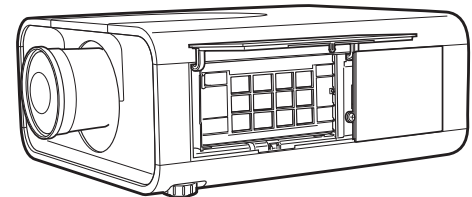
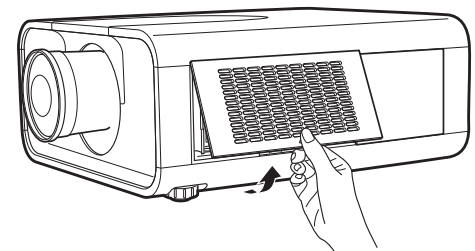
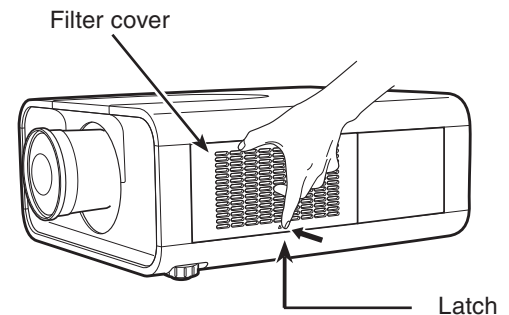
When using the projector under dusty or smoky conditions, dust may accumulate on a lens, liquid crystal panels, or optical elements inside the projector. Such condition may degrade the quality of the projected image.

When the symptoms above are noticed, contact your authorized dealer or service station for proper cleaning.

ORDER REPLACEMENT FILTER CARTRIDGE

Type No. POA-FIL-131

Service Parts No.: 610 334 3747

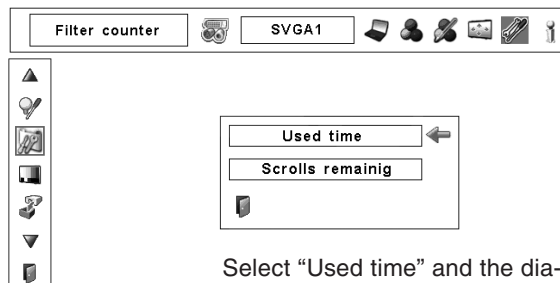


Resetting the Filter Counter

Be sure to reset the Filter counter after replacing the filter and the filter cartridge.

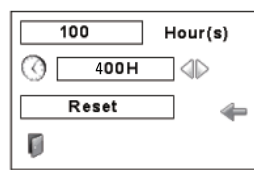
- 1 Press the MENU button to display the On-Screen Menu. Use the Point ◀▶ buttons to move the red frame pointer to the Setting Menu icon.
- 2 Use the Point ▲▼ buttons to move the red frame pointer to Filter counter and then press the SELECT button. A dialog box appears showing the Used time option and the Scrolls remaining option. Use the Point ▲▼ buttons to select Used time.
- 3 Used time shows the total accumulated time of the filter use, a timer setting option, and the Reset option. Select Reset and the “Filter counter Reset?” appears. Select [Yes] to continue.
- 4 Another confirmation dialog box appears, select [Yes] to reset the Filter counter.

Filter counter



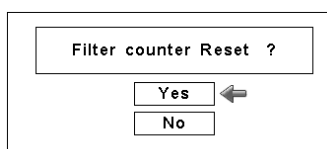
Used time
Scrolls remaining

Select “Used time” and the dialog box below appears.



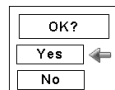
100 Hour(s)
400H
Reset

Select Reset and the “Filter counter Reset?” appears.



Filter counter Reset ?
Yes
No

Select [Yes], then another confirmation box appears.



OK?
Yes
No

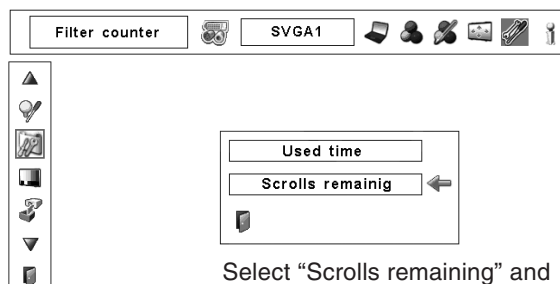
Select [Yes] again to reset the Filter counter.

Resetting the Scroll Counter

Be sure to reset the Scroll counter after replacing the filter cartridge.

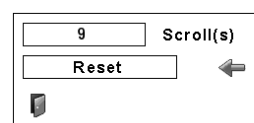
- 1 Press the MENU button to display the On-Screen Menu. Use the Point ◀▶ buttons to move the red frame pointer to the Setting Menu icon.
- 2 Use the Point ▲▼ buttons to move the red frame pointer to Filter counter and then press the SELECT button. A dialog box appears showing the Used time option and the Scrolls remaining option. Use the Point ▲▼ buttons to select Scroll(s) remaining.
- 3 Scroll(s) remaining shows the number of the remaining scrolls and the Reset option. Select Reset and the “Scroll counter Reset?” appears. Select [Yes] to continue.
- 4 Another confirmation dialog box appears, select [Yes] to reset the Scroll counter.

Scroll counter



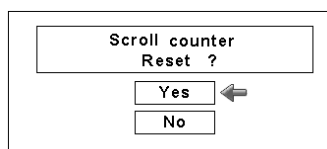
Used time
Scrolls remaining

Select “Scrolls remaining” and the dialog box below appears.



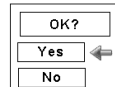
9 Scroll(s)
Reset

Select Reset and the “Scroll counter Reset?” appears.



Scroll counter Reset ?
Yes
No

Select [Yes], then another confirmation box appears.



OK?
Yes
No

Select [Yes] again to reset the Scroll counter.

Lamp Replacement

When the projection lamp of the projector reaches its end of life, the Lamp replacement icon appears on the screen and LAMP REPLACE indicator lights orange. Replace the lamp with a new one promptly. The timing when the LAMP REPLACE indicator should light is depending on the lamp mode.

Top Panel

LAMP / SHUTTER

LAMP REPLACE

WARNING FILTER

WARNING TEMP.

LAMP REPLACE indicator



Lamp replacement icon

Follow these steps to replace the lamp.

- 1** Turn off the projector and unplug the AC power cord. Let the projector to cool for at least 45 minutes.
- 2** Open the filter cover.
- 3** Loosen the screw and open the lamp cover and pull out the lamp by using the built in handle.
- 4** Replace the lamp with a new one. Make sure that the lamp is properly and fully inserted.
- 5** Close the lamp cover and secure the screw, and close the filter cover.
- 6** Connect the AC power cord to the projector and turn on the projector.
- 7** **Reset the Lamp replacement counter**

Note:

- Be sure to insert the lamp in the correct direction.
- Do not reset the Lamp replacement counter when the projection lamp is not replaced.



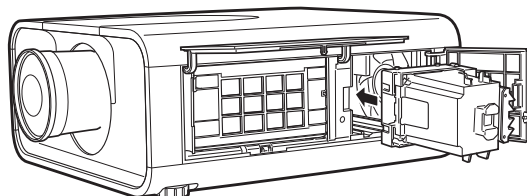
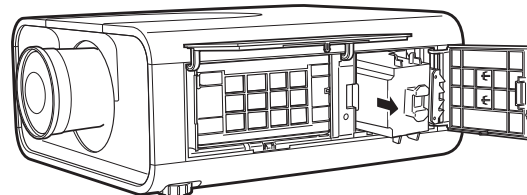
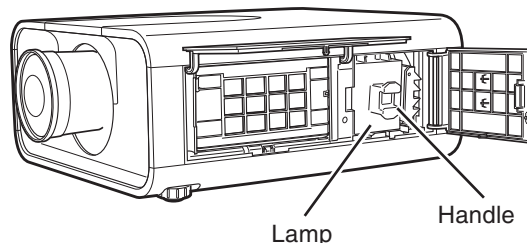
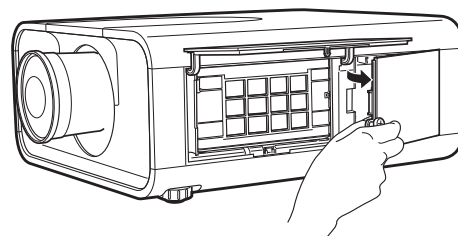
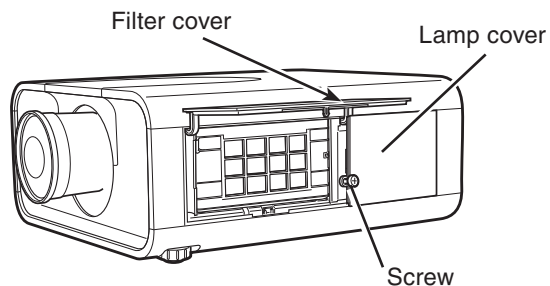
CAUTION

Allow a projector to cool for at least 45 minutes before you open the lamp cover. The inside of the projector can become very hot.



CAUTION

For continued safety, replace with a lamp of the same type. Do not drop the lamp or touch the glass bulb! The glass can shatter and may cause injury.



ORDER REPLACEMENT LAMP

Type No.	POA-LMP124
Service Parts No.	610 341 1941

Resetting the Lamp Counter

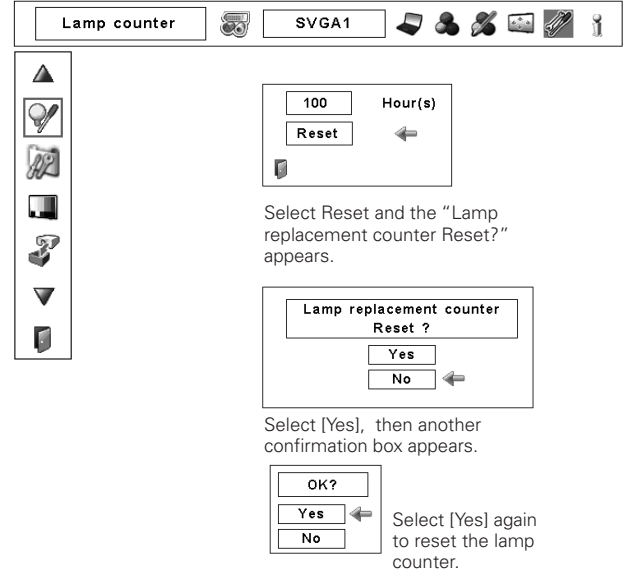
Be sure to reset the Lamp counter after the lamp is replaced. When the Lamp counter is reset, the LAMP REPLACE indicator stops lighting and the Lamp replacement icon disappears.

- 1** Press the MENU button to display the On-Screen Menu. Use the Point ◀▶ buttons to move the red frame pointer to the Setting Menu icon
- 2** Use the Point ed buttons to move the red frame pointer to Lamp counter and then press the SELECT button. A dialog box appears showing the total accumulated time of the lamp usage and the reset option. Select Reset and the “Lamp replacement counter Reset?” appears. Select [Yes] to continue.
- 3** Another confirmation dialog box appears and select [Yes] to reset the Lamp replacement counter.

Note:

- Do not reset the Lamp counter without replacing the lamp. Be sure to reset the Lamp replacement counter only after replacing the lamp.

Lamp counter



How to check Lamp Used Time

The LAMP REPLACE indicator will light yellow when the total lamp used time (Corresponding value) reaches 3,000 hours. This is to indicate that lamp replacement is required.

The total lamp used time is calculated by using the below expression,

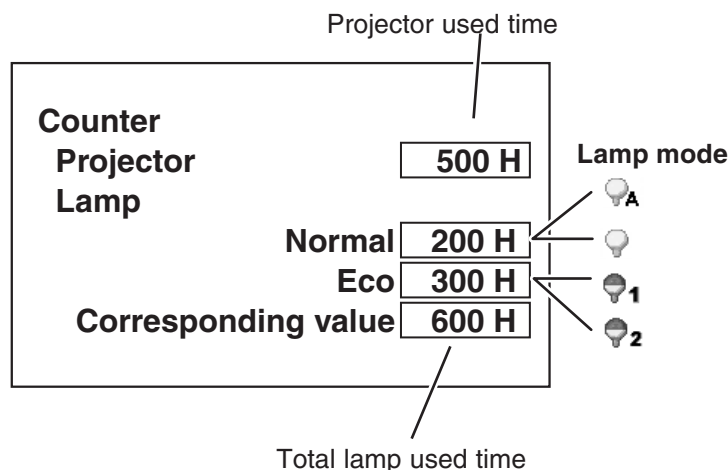
$$\text{Total lamp used time (Corresponding value)} = T_{\text{eco}} + (T_{\text{normal}} \times 1.5)$$

T_{eco} : used time in the Eco1 and Eco2 mode

T_{normal} : used time in the Normal mode and Auto mode

You can check the lamp used time following to the below procedure.

- 1** Press and hold the **ON/STAND-BY** button on the projector for more than 20 seconds.
- 2** The projector used time and lamp used time will be displayed on the screen briefly as follows.



Cleaning

After long periods of use, dust and other particles will accumulate on the LCD panel, prism, mirror, polarized glass, lens, etc., causing the picture to darken or color to blur. If this occurs, clean the inside of optical unit.

Remove dust and other particles using air spray. If dirt cannot be removed by air spray, disassemble and clean the optical unit.

Cleaning with air spray

1. Remove the cabinet top following to “Mechanical Disassembly”.
2. Clean up the LCD panel and polarizing plate by using the air spray from the cabinet top opening.

Caution:

Use a commercial (inert gas) air spray designed for cleaning camera and computer equipment. Use a resin-based nozzle only. Be very careful not to damage optical parts with the nozzle tip. Never use any kind of cleanser on the unit. Also, never use abrasive materials on the unit as this may cause irreparable damage.

Disassembly Cleaning

Disassembly cleaning method should only be performed when the unit is considerably dirty and cannot be sufficiently cleaned by air spraying alone.

Be sure to readjust the optical system after performing disassembly cleaning.

1. Remove the cabinet top and main units following to “Mechanical Disassembly”.
2. Remove the optical base top following to “Optical Unit Disassembly”. If the LCD panel needs cleaning, remove the LCD panel unit following to “LCD panel replacement”.
3. Clean the optical parts with a soft cloth. Clean extremely dirty areas using a cloth moistened with alcohol.

Caution:

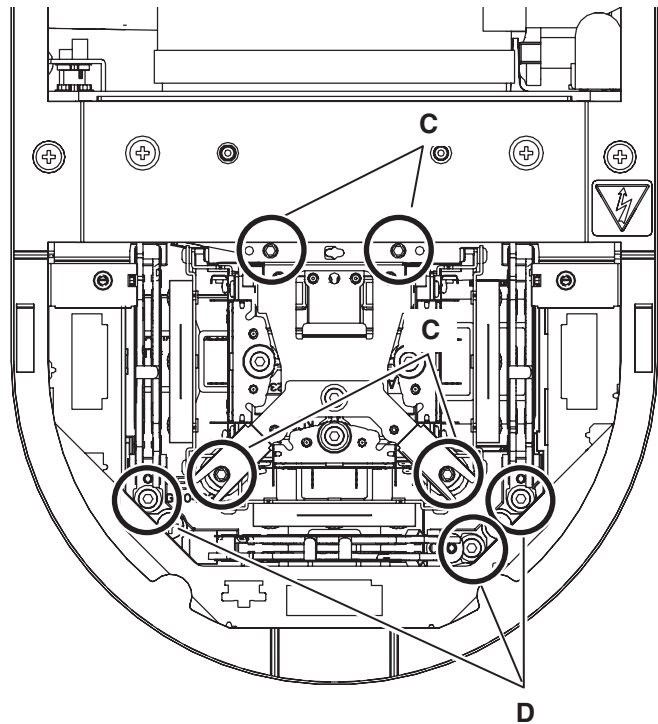
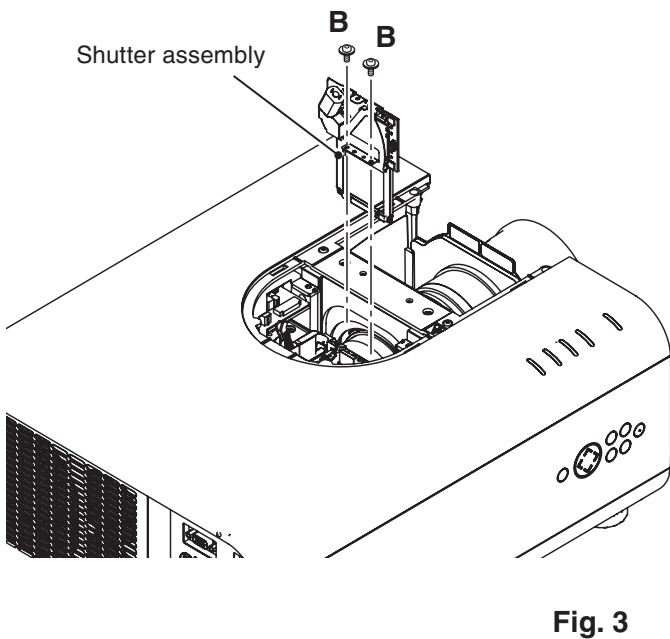
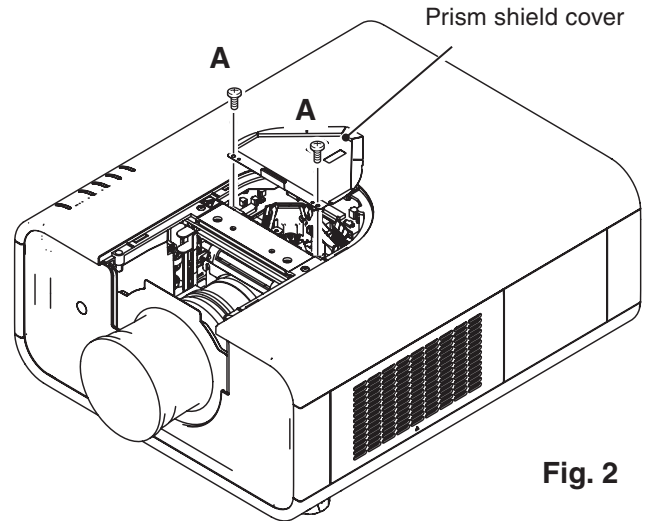
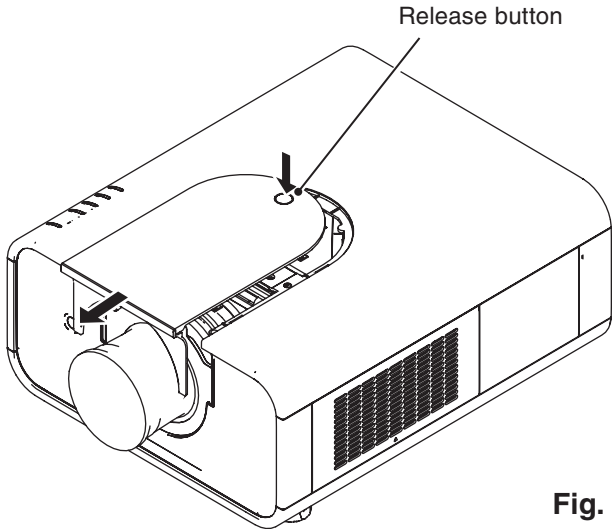
The surface of the optical components consists of multiple dielectric layers with varying degrees of refraction. Never use organic solvents (thinner, etc.) or any kind of cleanser on these components.

Since the LCD panel is equipped with an electronic circuit, never use any liquids (water, etc.) to clean the unit. Use of liquid may cause the unit to malfunction.

Quick maintenance

This projector provides a cabinet front cover on the cabinet top to enhance the service maintenance. This enables service personnel to align the optical adjustment or replace the optical parts without disassembly the cabinet top.

1. Press and hold the release button on the cabinet front cover and slide the cover frontward to take it off (Fig. 1).
 2. Remove 2 screws A on the prism shield cover and take prism shield cover off (Fig. 2).
 3. Remove 2 screws B and take the shutter assembly off (Fig. 3).
 4. Loosen 4 screws C and take the LCD Panel/Prism ass'y upward off.
 5. Remove 1 screw D on each stopper of the optical filter ass'y and take the optical filter ass'y upward off.
- See chapter "Optical Parts Disassembly" for further information of optical parts disassembly.



Security Function Notice

This projector provides security functions such as "Key lock", "PIN code lock" and "Logo PIN code lock". When the projector has set these security function on, you are required to enter correct PIN code to use the projector. If you do not know the correct PIN code to the projector, the projector can no longer be operated or started. In this case, you must reset those function first according to the resetting procedure described below and then check up on the projector.

Function	Description
Key lock	Locks operation of the side control or the remote control. If the Key lock is enabled with side control lock, the projector can no longer be started. <i>Initial setting: Key lock function is disabled</i>
PIN code lock	Prevents the projector from being operated by an unauthorized person. <i>Initial code: "1234"</i>
Logo PIN code lock	Prevents an unauthorized person for changing the start-up logo on the screen. <i>Initial code: "4321"</i>

Resetting procedure

1 Disconnect the AC power cord from the AC outlet.

2 As pressing the **SELECT** button on the projector, connect the AC power cord into an AC outlet again. Keep pressing the **SELECT** button until the POWER indicator lights continuously.

This is complete the resetting of the security function. The PIN code lock and Logo PIN code lock are reset as the initial PIN code at the factory and the Key lock function is disabled.

Please refer to the owner's manual for further information of the security functions.

Mechanical Disassembly


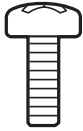
Mechanical disassembly flow chart

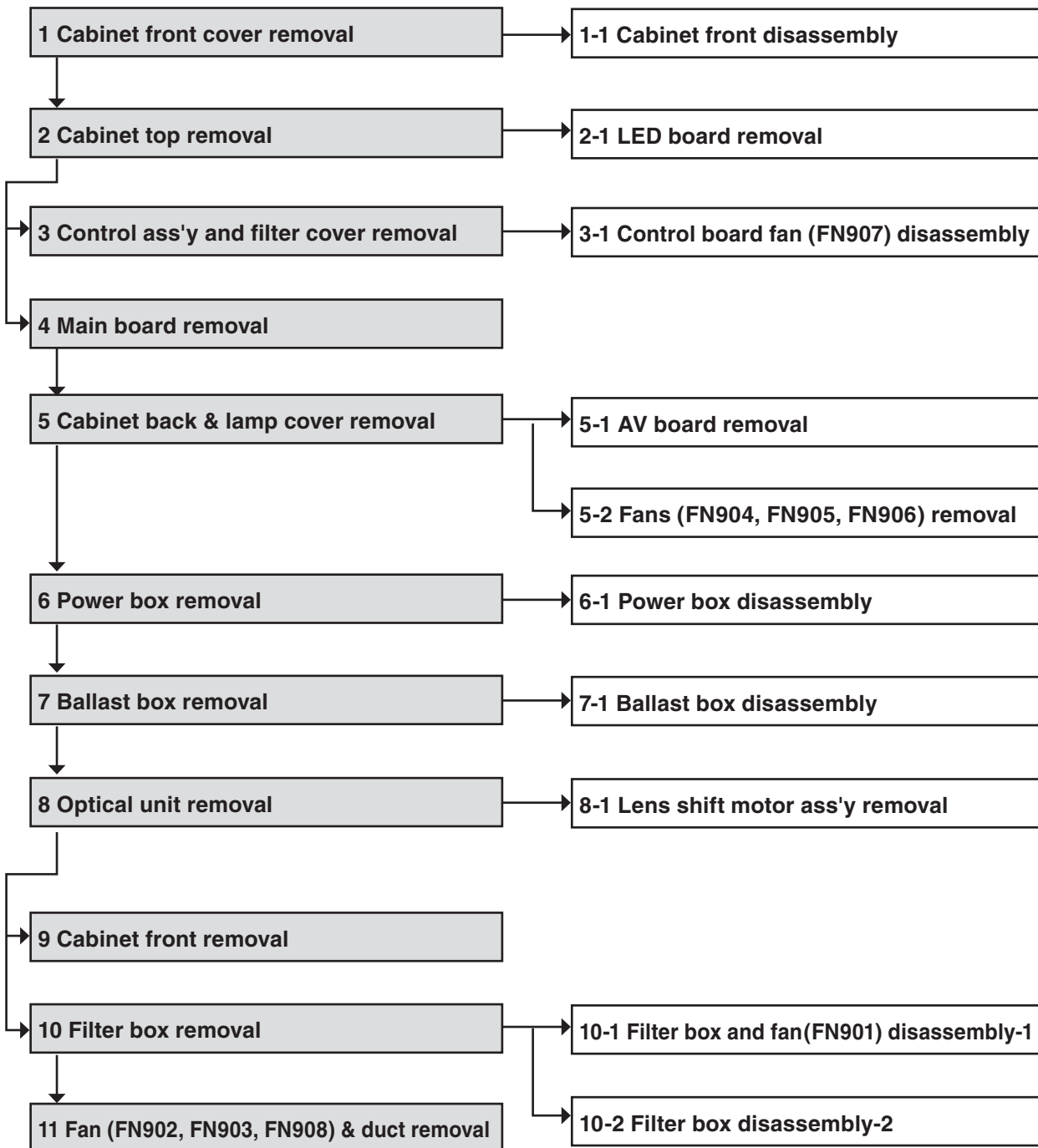
Mechanical disassembly should be made by following procedures chart. Following steps show the basic procedures, therefore unnecessary step may be ignored.

Caution:

The parts and screws should be placed exactly the same position as the original otherwise it may cause loss of performance and product safety.

The wiring method of the leads and ferrite cores should be returned exactly the same state as the original, otherwise it may cause loss of performance and product safety.

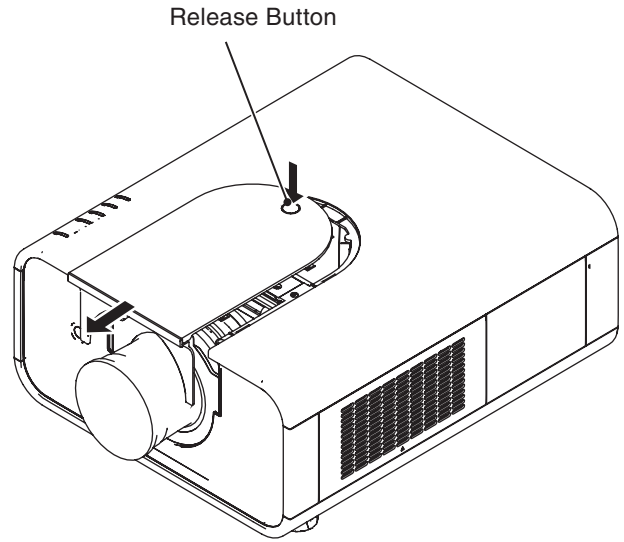
Screws Expression (Type Diameter x Length) mm	
T type	M Type
	



Mechanical disassembly

1 Cabinet front cover removal

- 1 Press the release button and slide the lamp cover to the arrow direction and remove it.



1-1 Cabinet front cover disassembly

- 1 Remove 2 screws A (T3x8) and take the release button, button holder and spring off.

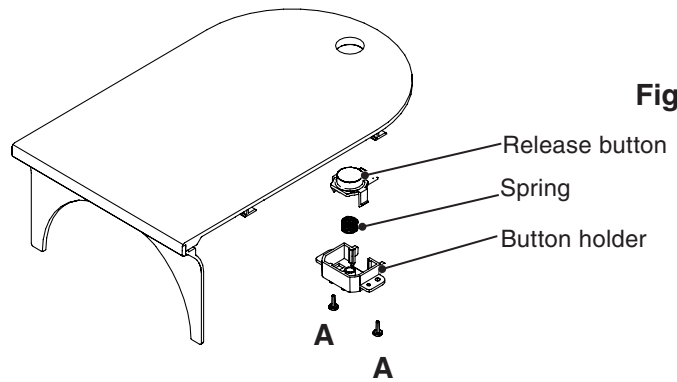
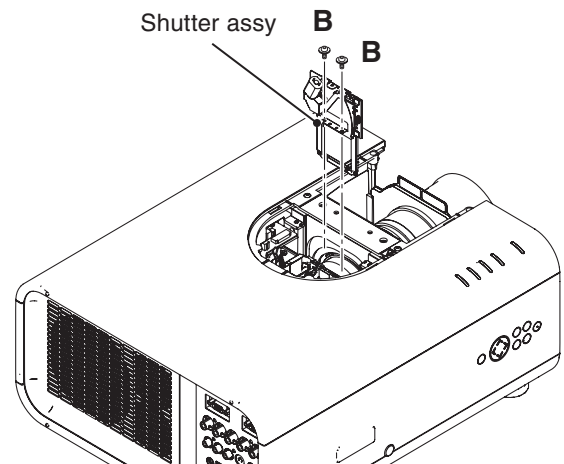
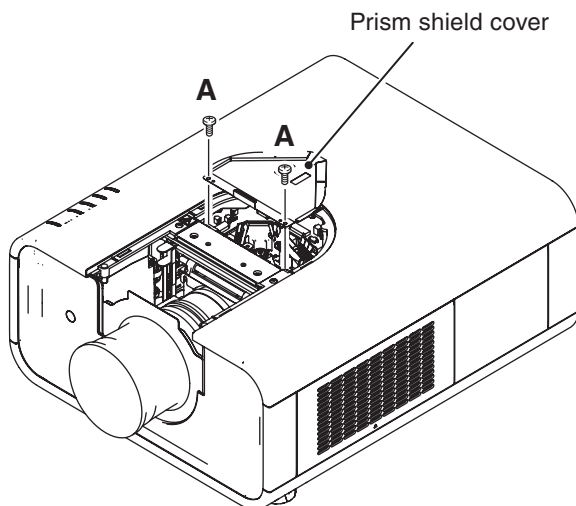


Fig. 1-1

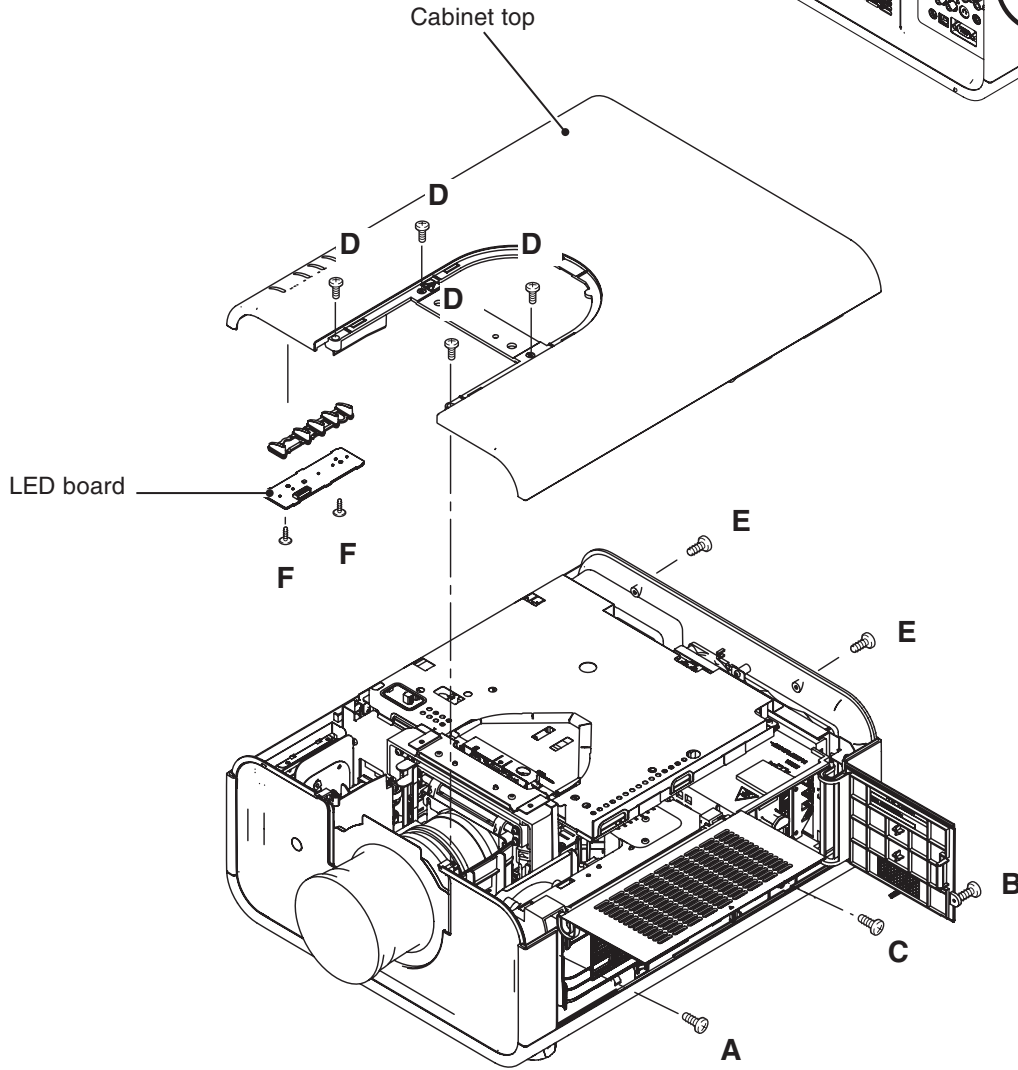
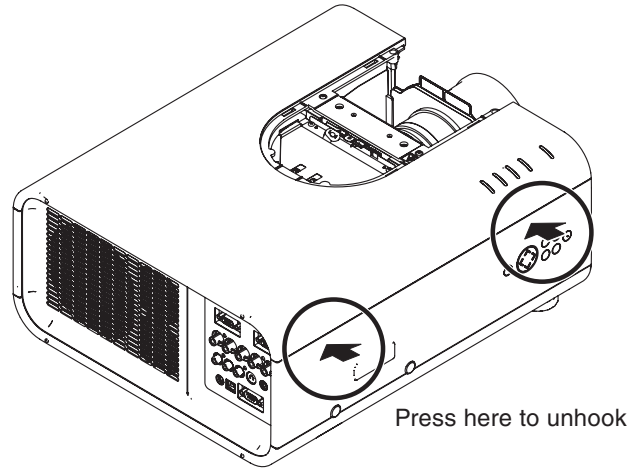
Shutter assy disassembly

- 1 Remove 2 screws A (M3x6) and take the prism shield cover off.
- 2 Remove 2 screws B (M2.5x5) and take the shutter assembly off.



2 Cabinet top removal

- 1 Open the filter cover and remove 1 screw A (M3x8).
- 2 Remove 1 screw B (M3x8) and open the lamp cover and remove 1 screw C (M3x8).
- 3 Remove 4 screws D (M3x8) on the cabinet top and 2 screws E (M3x8) on the cabinet back.
- 4 Release the hooks by pressing the side part of cabinet bottom indicated with the arrows and take the cabinet top off.



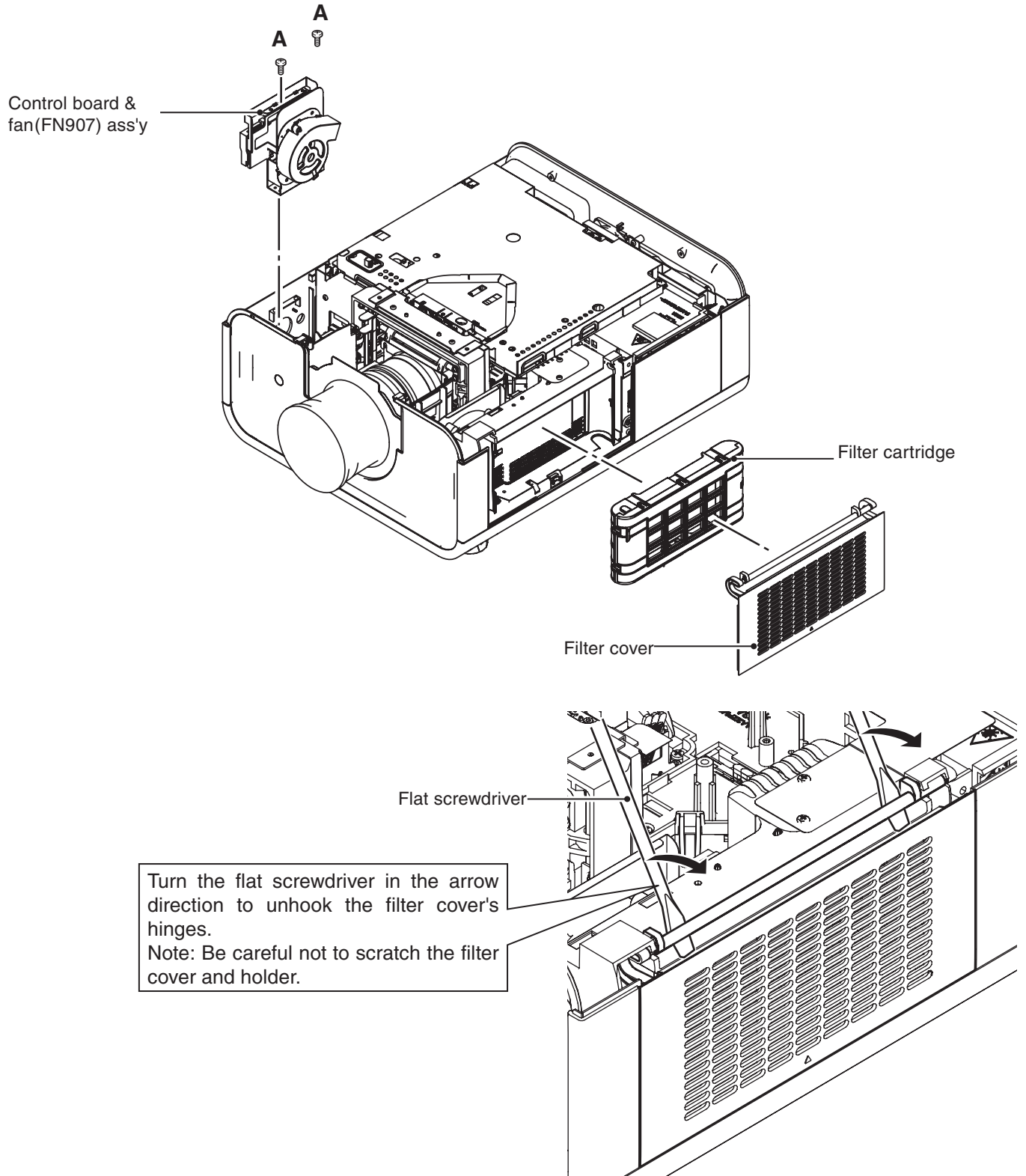
2-1 LED board removal

- 1 Remove 2 screws F (T3x8) and take the LED board and LED holder off.

Fig. 1-2

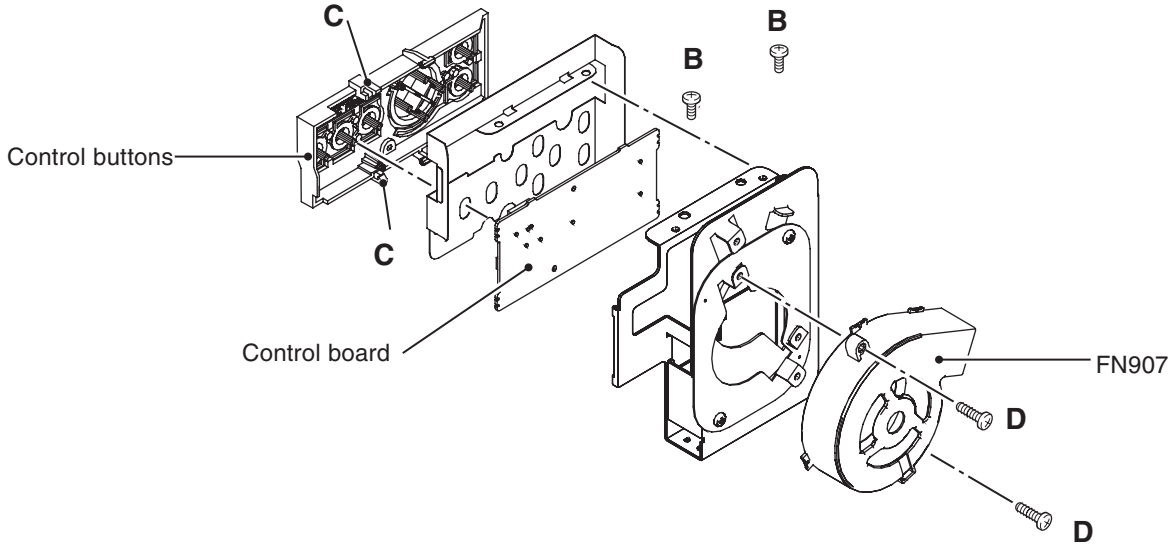
3 Control board ass'y and covers removal

- 1 Remove 2 screws A (T3x8) and take the control board & fan ass'y upward off.
- 2 Open the filter cover and take the filter cartridge off.
- 3 Remove the filter cover off by using a flat screw driver as shown in the figure.



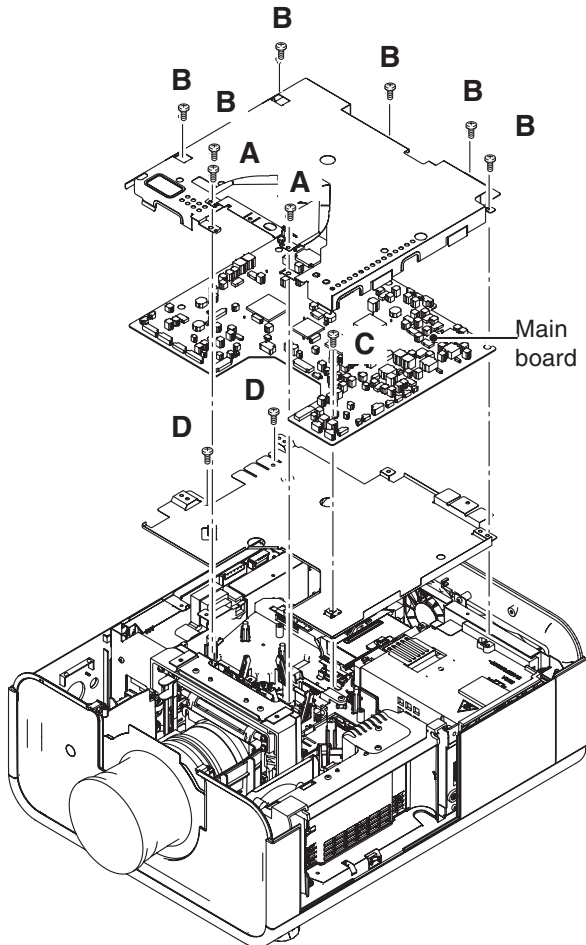
3-1 Control board and fan (FN907) disassembly

- 1 Remove 2 screws B (M3x6) and take the control board/button holder off
- 2 Unhook 2 hooks C on the button holder and take the control board off.
- 3 Remove 2 screws D (M3x10) and take fan (FN907) off.



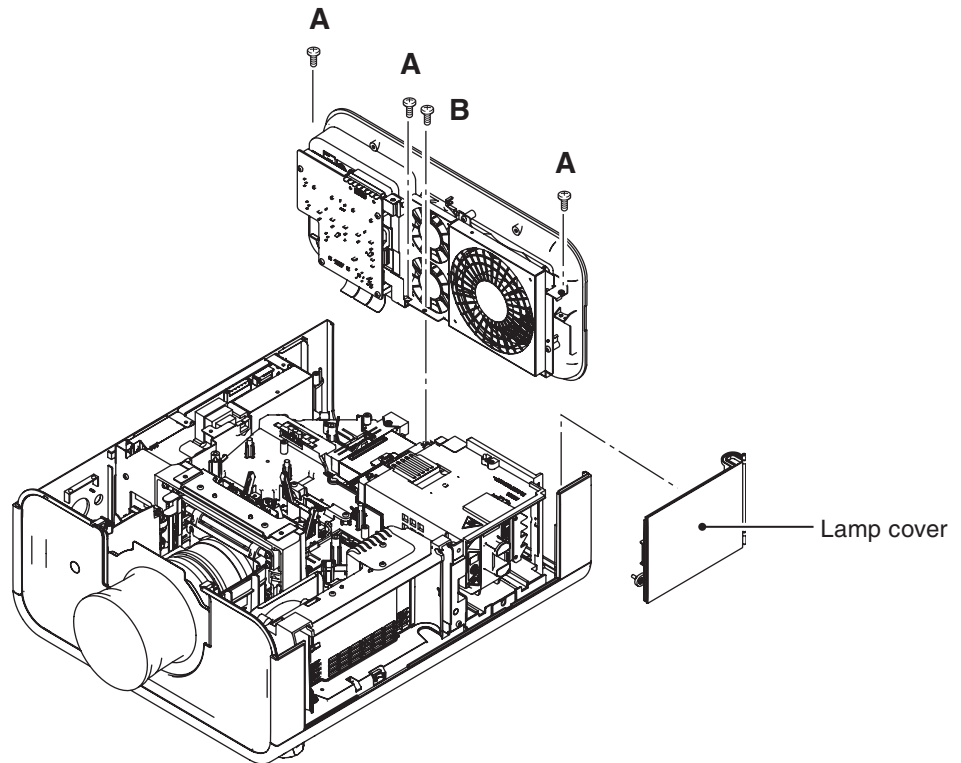
4 Main board removal

- 1 Remove 2 screws A (M3x6) and take the prism shield cover top off.
- 2 Remove 6 screws B (M3x6) and take the main shield cover top off.
- 3 Remove 1 screw C (M3x6) and take the main board off.
- 4 Remove 2 screws D (M3x6) and take the main shield cover bottom off.



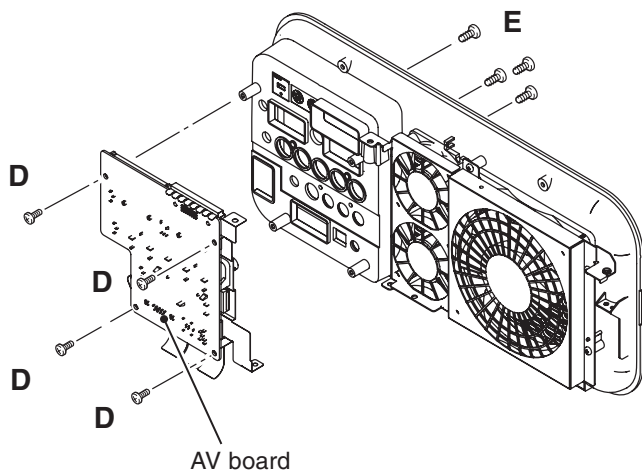
5 Cabinet back ass'y removal

1 Remove 3 screws A (T3x8) and 1 screw B (M3x6) and take the cabinet back ass'y upward off.



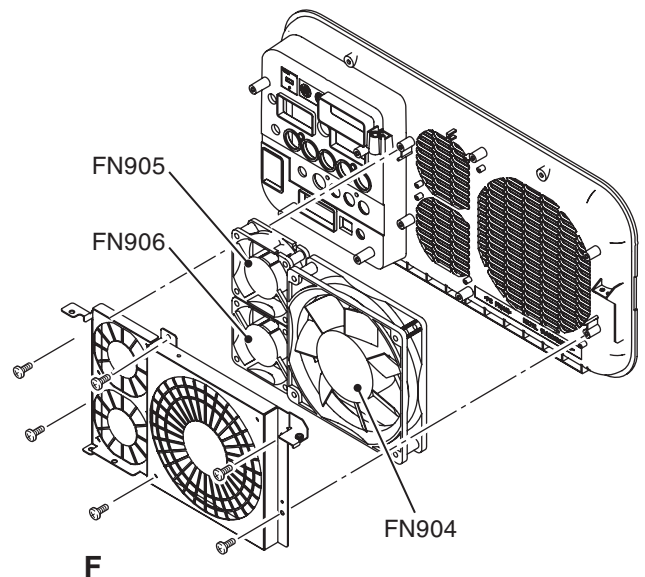
5-1 AV board removal

1 Remove 4 screws D (T3x8) and 4 screws E (T3x10-black) and take the AV board off.



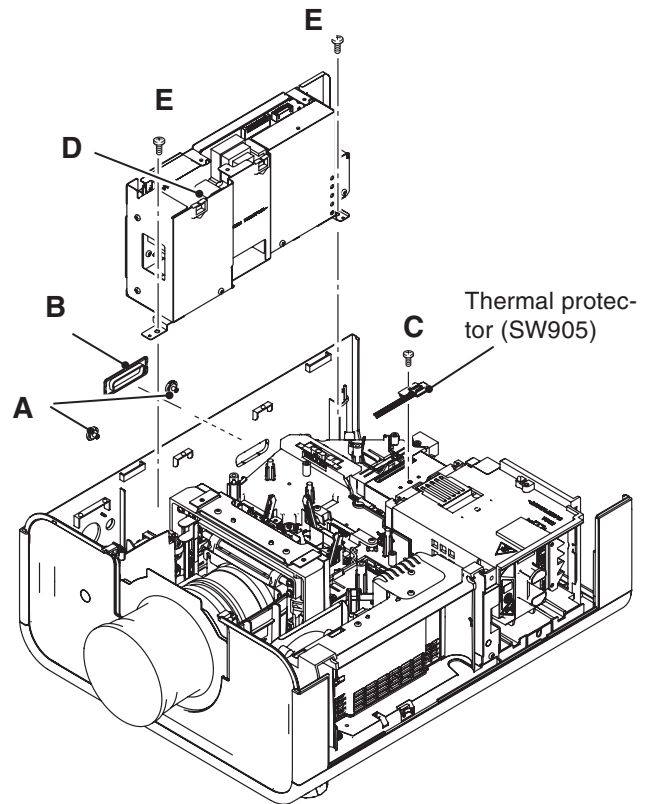
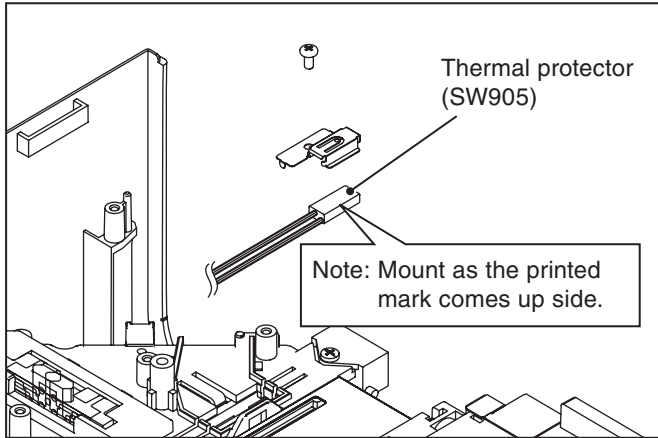
5-2 Fans (FN904, FN905, FN906) removal

1 Remove 6 screws F (T3x8) and take the fans (FN904, FN905, FN906) off.



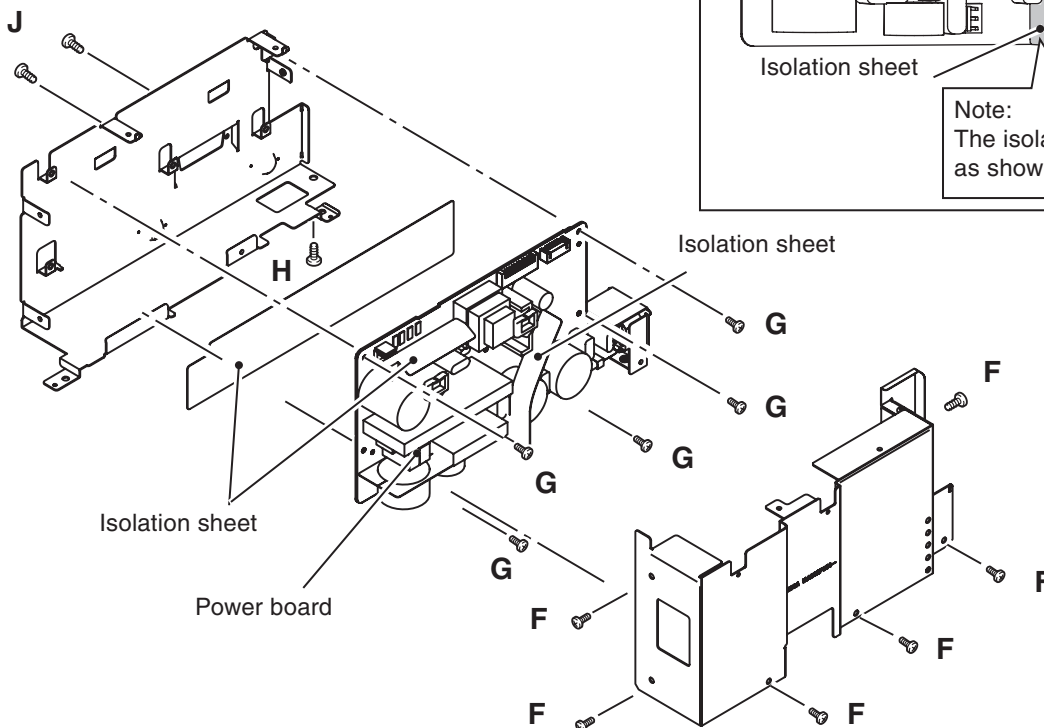
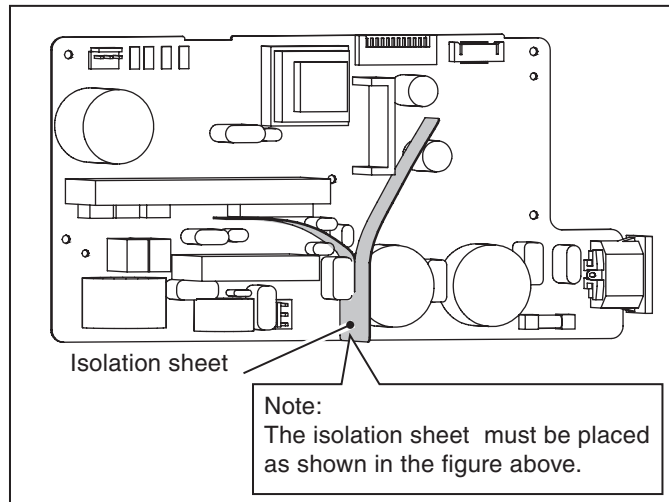
6 Power Box removal

- 1 Remove the 3 covers A and B on the cabinet.
- 2 Remove 1 screw C (M3x6) and take thermal protector (SW905) off
- 3 Disconnect the socket D (K6B) on the power board.
- 4 Remove 2 screws E (M4x8) and take the power box upward off.



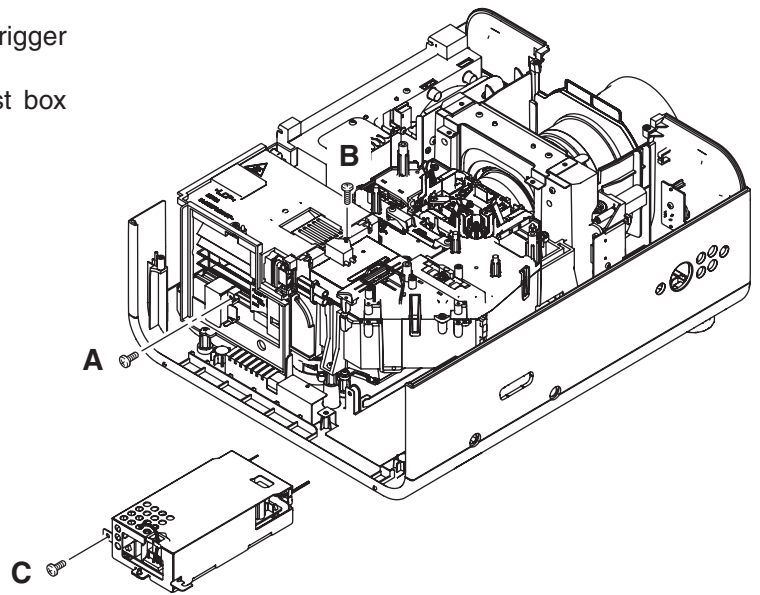
6-1 Power box disassembly

- 1 Remove 6 screws F (M3x6) and take the power box cover off.
- 2 Remove 5 screws G (M3x6), 1 screw H (M4x8), 2 screws J (M2.8x4) and take the power board off.



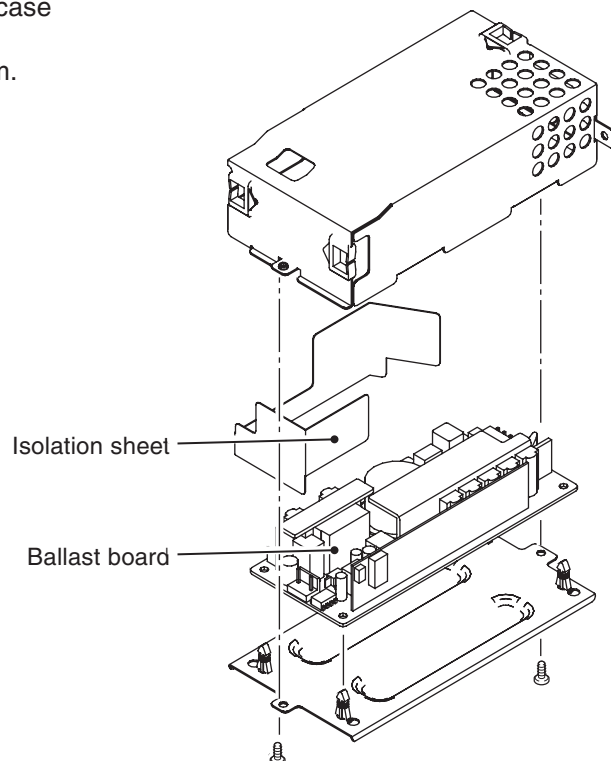
7 Ballast box removal

- 1 Remove 1 screw A (M3x6) and disconnect the lamp ballast socket.
- 2 Remove 1 screw B (T3x10) and take the ballast trigger off.
- 3 Remove 1 screw C (M4x8) and pull the ballast box backward and remove it off.



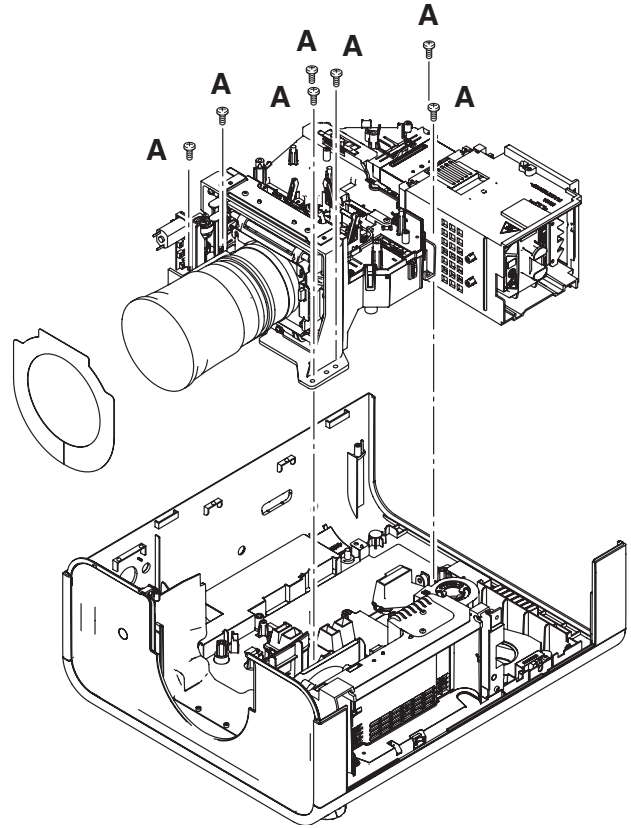
7-1 Ballast box disassembly

- 1 Remove 2 screws D (M3x6) and take the shield case top off
- 2 Remove ballast board from the shield case bottom.



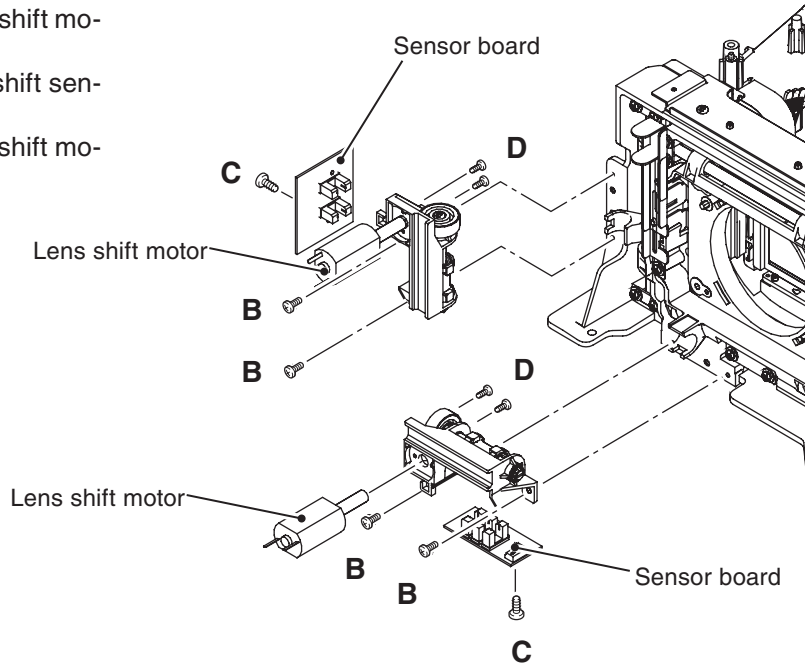
8 Optical unit removal

- 1 Remove 7 screws A (T4x16), disconnect ballast socket and take the optical unit upward off.



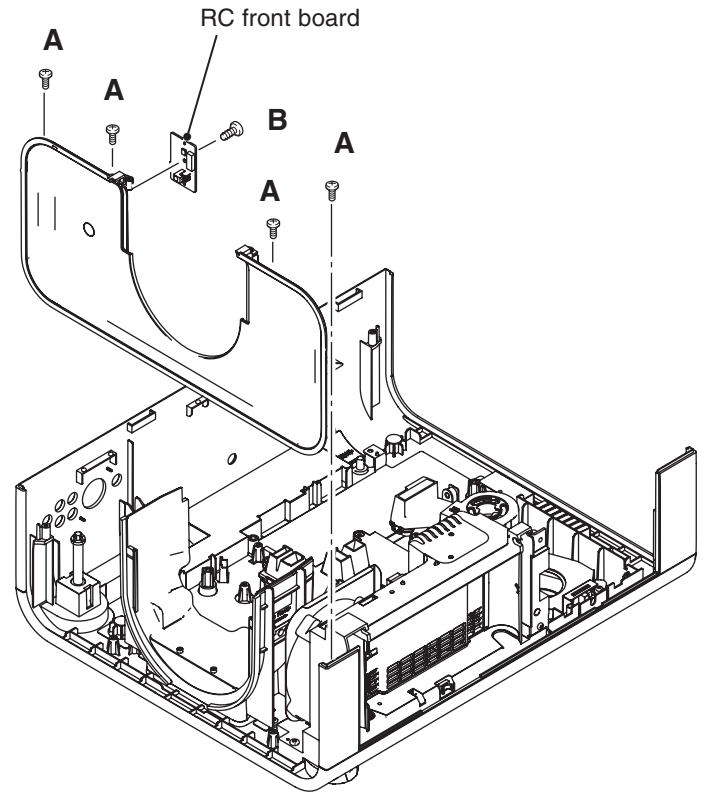
8-1 Lens shift motor ass'y removal

- 1 Remove 2 screws B (M3x6) and take the lens shift motor ass'y off.
- 2 Remove 1 screw C (T3x6) and take the lens shift sensor board off.
- 3 Remove 2 screws D (T2x4) and take the lens shift motor off



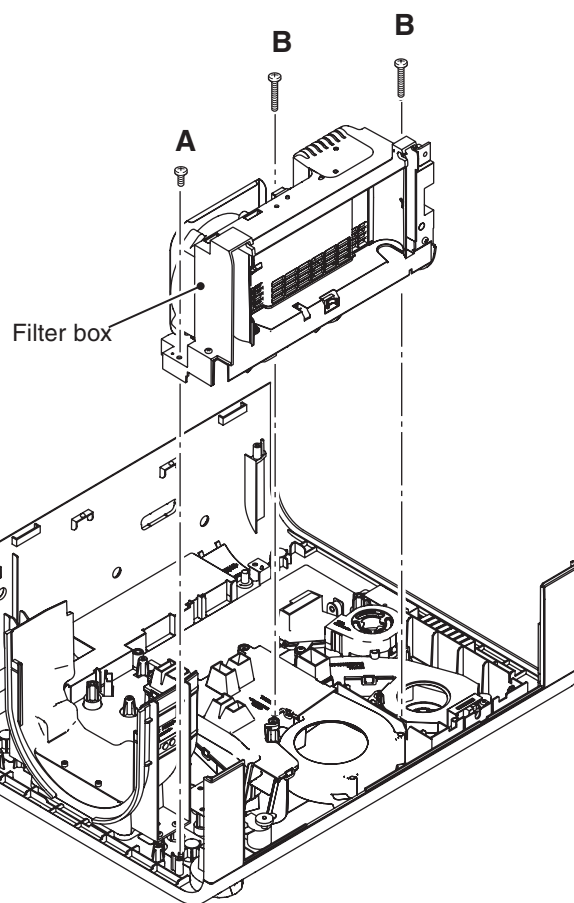
9 Cabinet front removal

- 1 Remove 4 screws A (T3x8) and take the cabinet front upward off.
- 2 Remove 1 screw B (T3x8) and take the RC front board off.



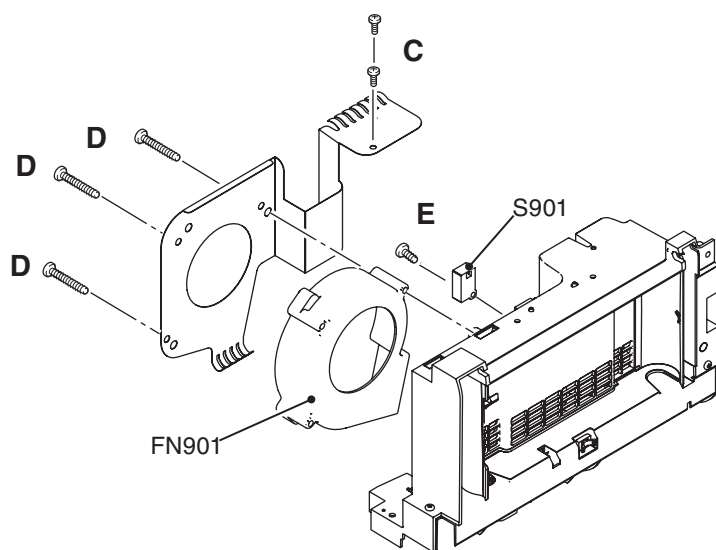
10 Filter box removal

- 1 Remove 1 screws A (T3x8), 2 screws B (T4x40) and take filter box upward off.



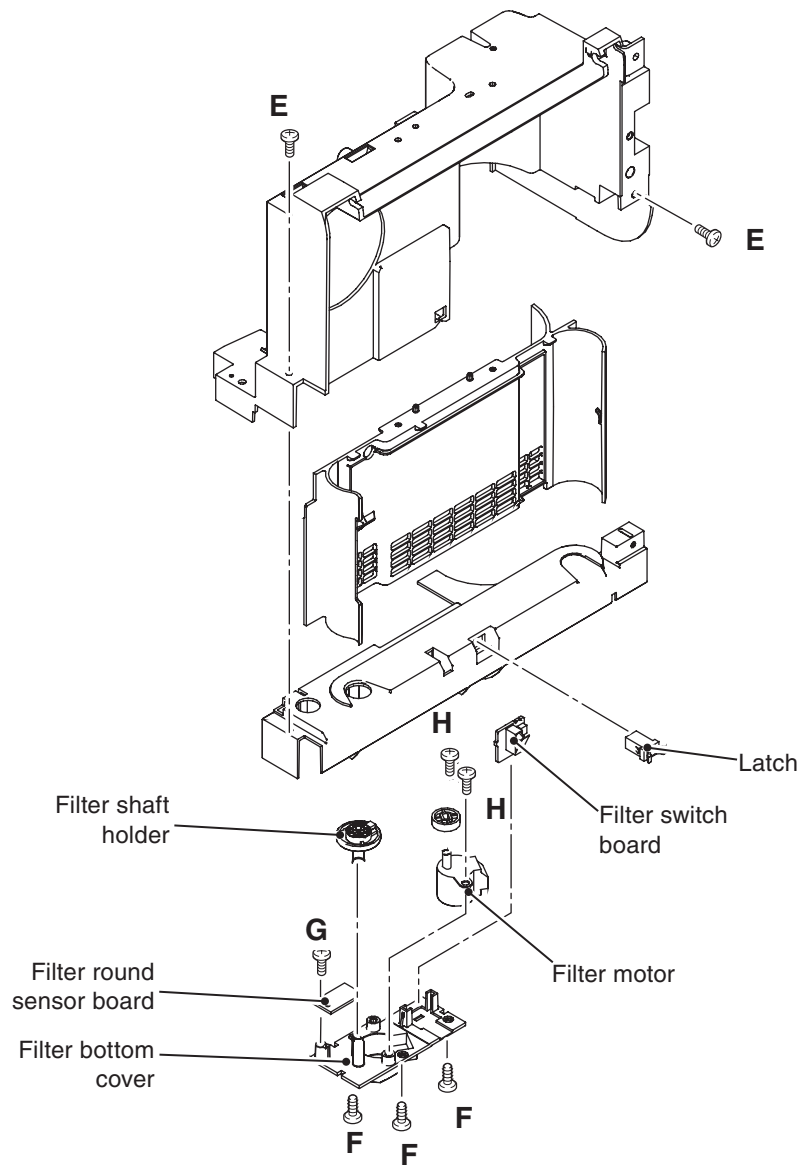
10-1 Filter box and fan (FN901) disassembly-1

- 1 Remove 2 screws C (T3x8), 3 screws D (T4x35), and take fan (FN901) and holder off.
- 2 Remove 1 screw E (T3x14) and take the wind sensor (S901) off.



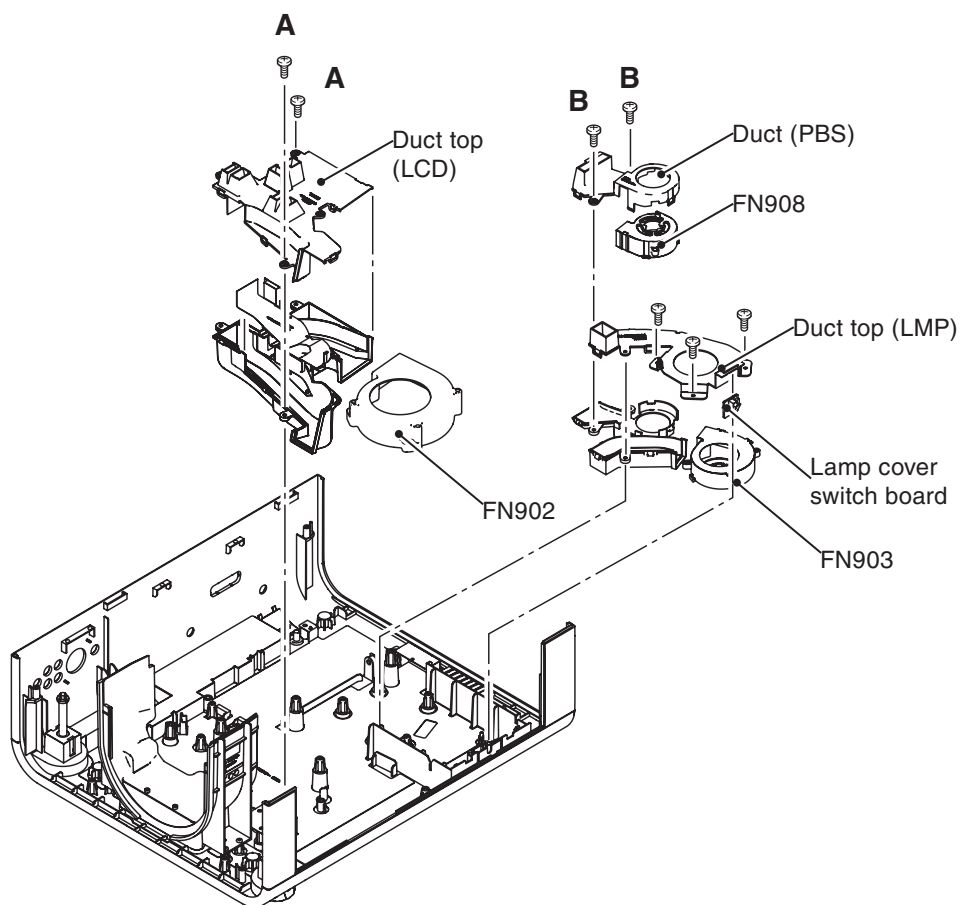
10-2 Filter box disassembly-2

- 1 Remove 2 screws E (T3x8) and take the filter cover off.
- 2 Take the filter cover latch off by pulling it.
- 3 Remove 3 screws F (T3x8) and take the filter bottom cover off.
- 4 Take the filter switch board off, and remove 1 screw G(T3x8) and take the filter round sensor board off.
- 5 Remove 2 screws H (T4x8) and filter motor off.



11 Fans (FN902, FN903, FN908) and duct removal

- 1 Remove fan (FN902) upward off.
- 2 Remove 2 screws A (T3x8) and take the duct top (LCD) upward off.
- 3 Remove 5 screws B (T3x8) and take the duct (PBS) upward off and remove fan (FN908) off.
- 4 Take the duct top (LMP) upward off and remove the lamp cover switch board off.
- 5 Remove fan (FN903) upward off.



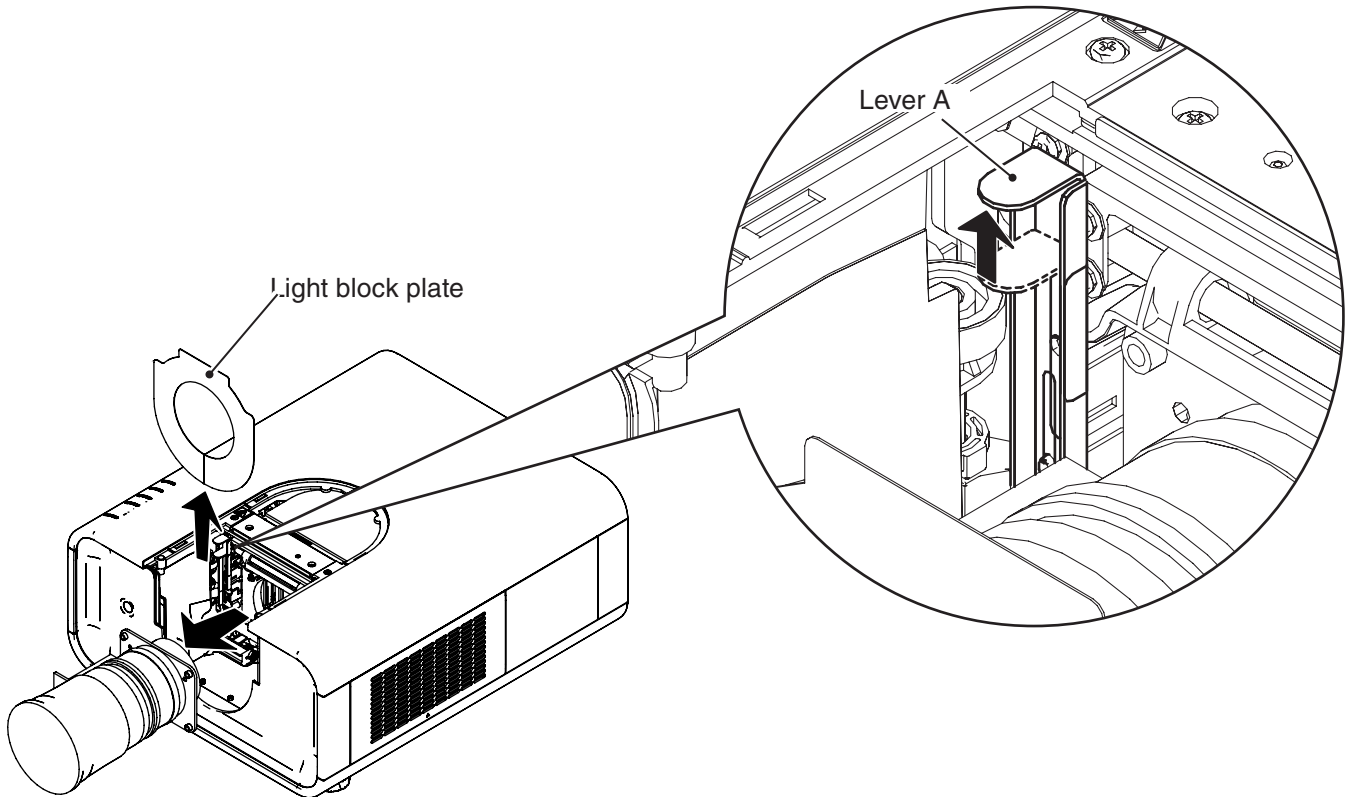
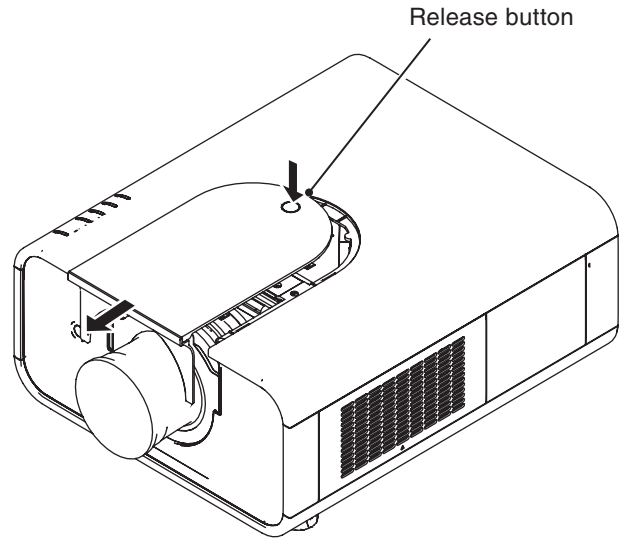
Optical Parts Disassembly

Disassembly requires a 2.0mm or 2.5mm hex wrench and a slot screwdriver.

1 Projection lens removal

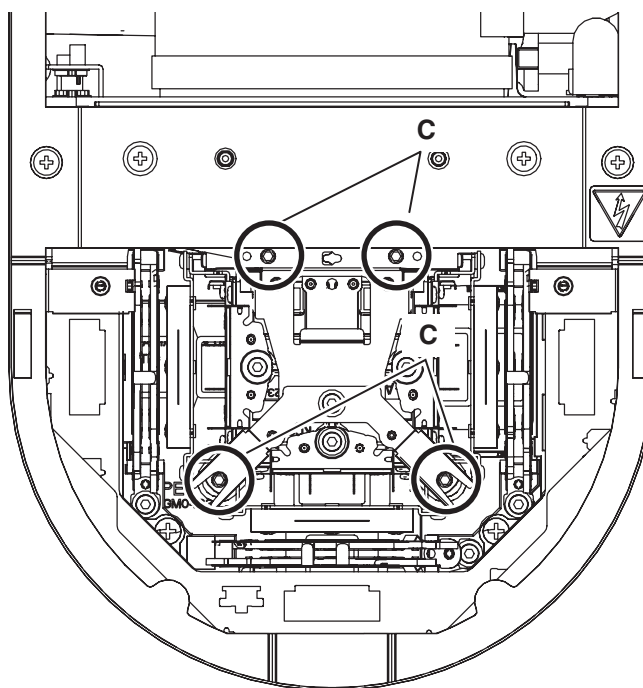
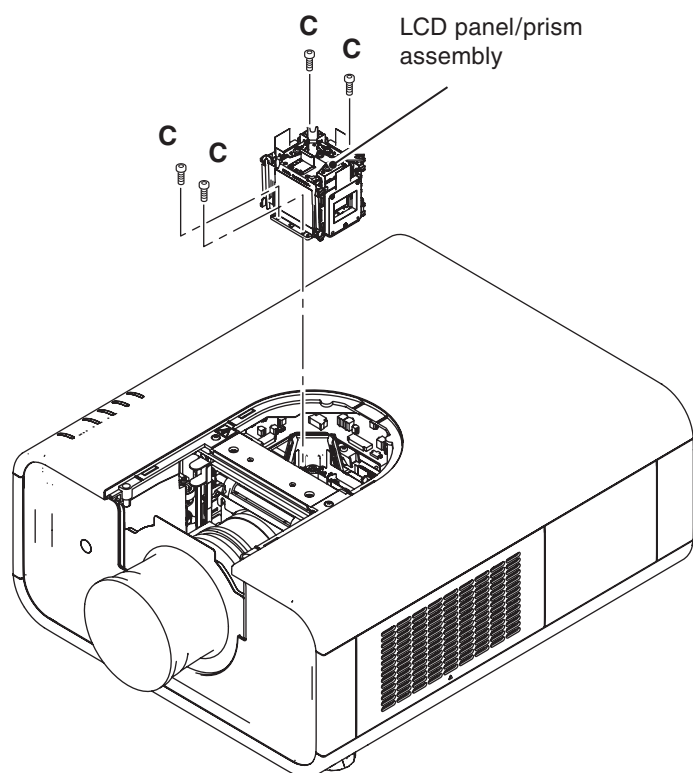
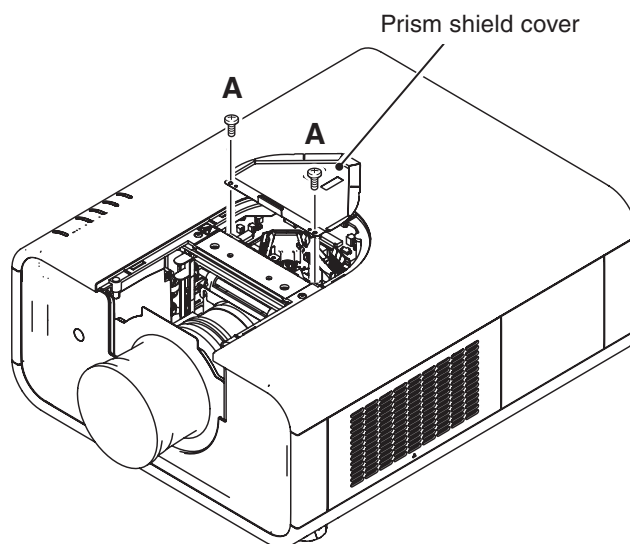
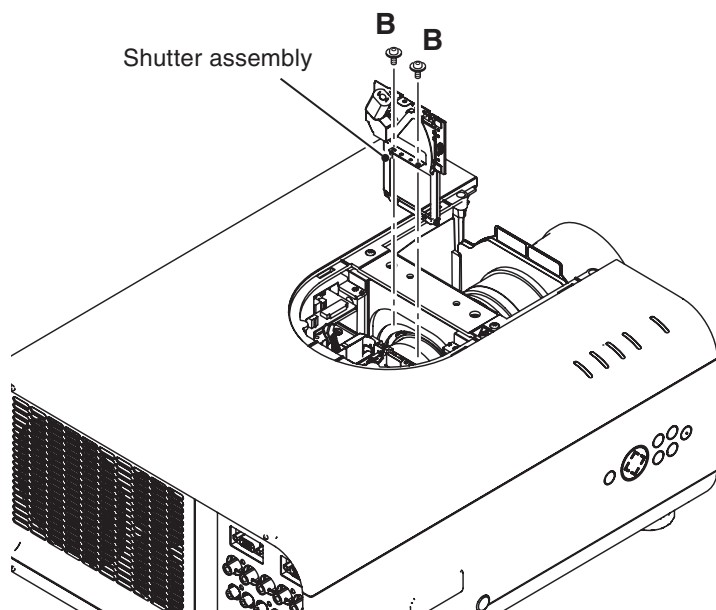
- 1 Set the projection lens to center position with lens shift function.
- 2 Press and hold the release button on the cabinet front cover and slide it in the arrow direction as shown in the figure and open it.
- 3 Remove the light block plate upward off.
- 4 Slide the lens lock lever A on the projector to “UN-LOCK” (UPPER) position and remove the Projection Lens ass’y off.

Note : When making unlocking, attach your hand to prevent the lens fall.



2 LCD panel/Prism ass'y removal

- 1 Remove 2 screws A (M3x6) and take the prism shield cover off.
- 2 Remove 2 screws B (M2.5x5) and take the shutter ass'y upward off.
- 3 Remove 4 screws C (M2.5 x10) and take the LCD panel/prism assembly upward off.



LCD Panel Type Check

There are 2 types combination of the LCD panel/prism assembly and the optical unit, named Type-R and Type-L. Since both have no compatibility, each type should be combined with the same type, and the specific parts should be used. If not, the poor optical characteristics may degrade the quality of a projected image.

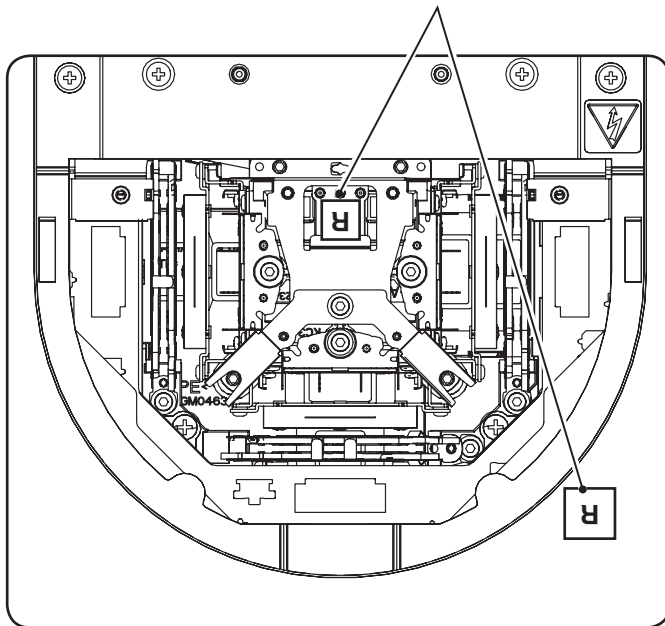
Confirm the "R" label or "L" label on top of the LCD panel/ prism assembly and the optical unit.

NOTE:

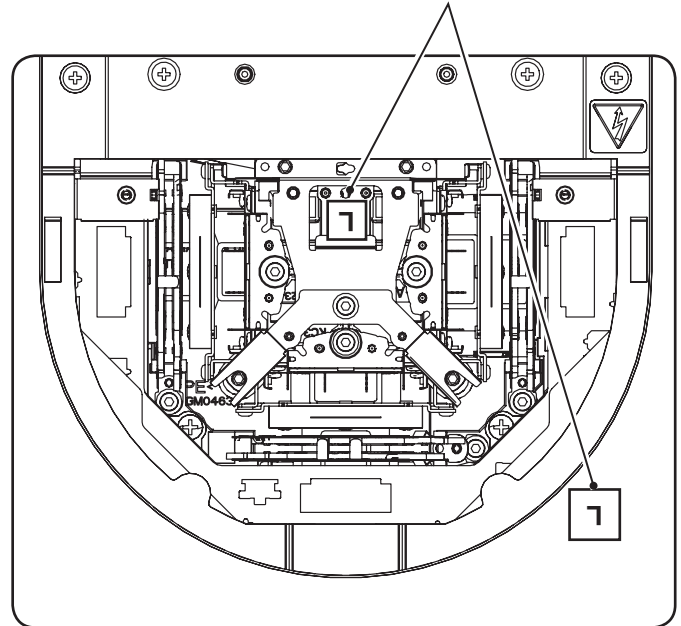
LCD panel/prism assembly should be used with the same type of the optical unit.

Confirm that both marking "R" is matched.

Confirm that both marking "L" is matched.



LCD Panel/Prism Ass'y (Type-R)



LCD Panel/Prism Ass'y (Type-L)

Note; Do not replace the LCD panel separately otherwise it cannot obtain proper picture. Do not touch the prism, the LCD panel and electrode of flexible cable.

IMPORTANT NOTICE on LCD Panel/Prism Ass'y Replacement

LCD panels used for this model cannot be replaced separately. Do not disassemble the LCD Panel/Prism Ass'y. These LCD panels are installed with precision at the factory. When replacing the LCD panel, should be replaced whole of the LCD panels and prism ass'y at once.

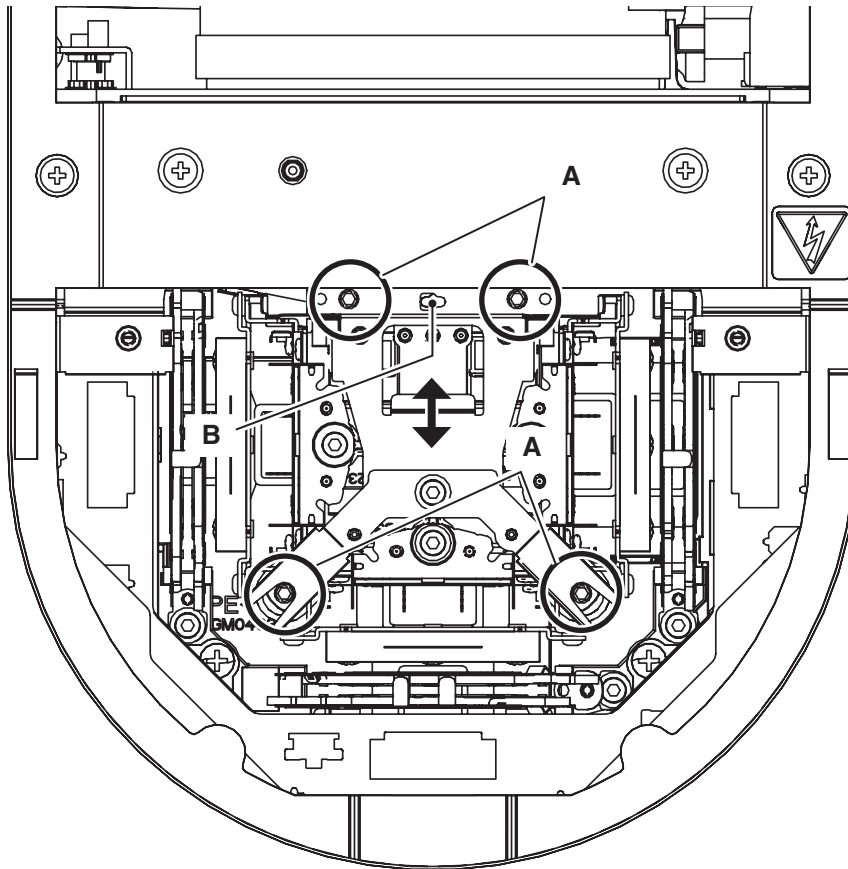
When replacing LCD Panel/Prism ass'y, take the optical and electrical adjustments following to the chapter "Adjustment".

Note on LCD Panel/Prism Ass'y Mounting

After replacing or installing the LCD Panel/Prism ass'y, please make sure to obtain the best focus in both TELE and WIDE zoom. If the focus adjustment is required, please adjust the positioning of LCD Panel/Prism Ass'y following to the procedure below.

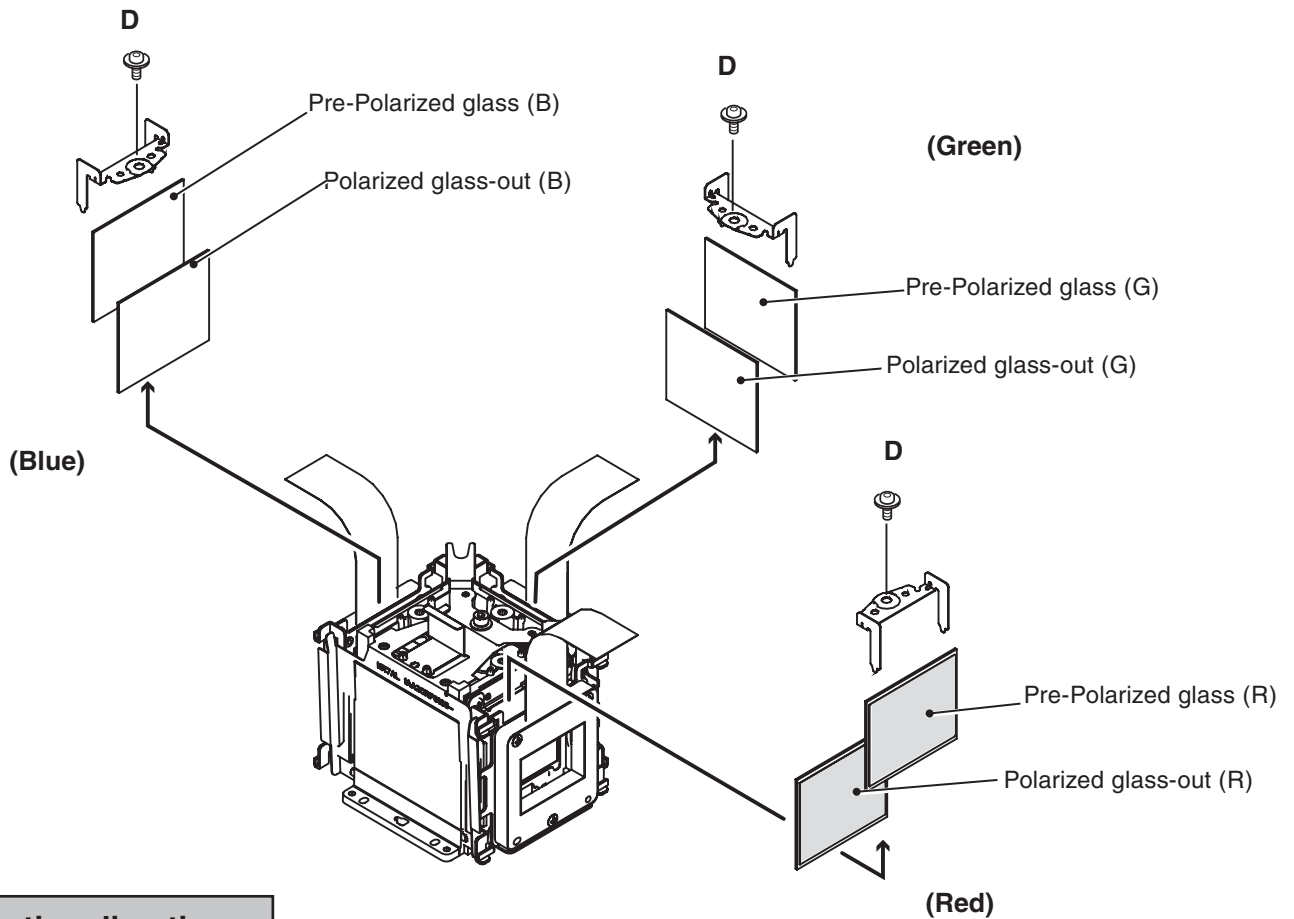
Focus adjustment:

- 1 Loosen 4 screws A on the LCD Panel/Prism ass'y with 2.0 mm hex driver.
- 2 Turn the projector on and project the image with WIDE zoom, and adjust the FOCUS control to obtain the best focus.
- 3 Turn the ZOOM control to the TELE position.
- 4 Insert a flat screw driver into the slot B and move the LCD Panel/Prism Ass'y backward or forward by turning the screwdriver left or right to obtain the proper focus. Confirm the focus at TELE and WIDE zoom.
- 5 Tighten 4 screws A to fix the LCD Panel/Prism ass'y.



2-1 Polarized glasses-out removal

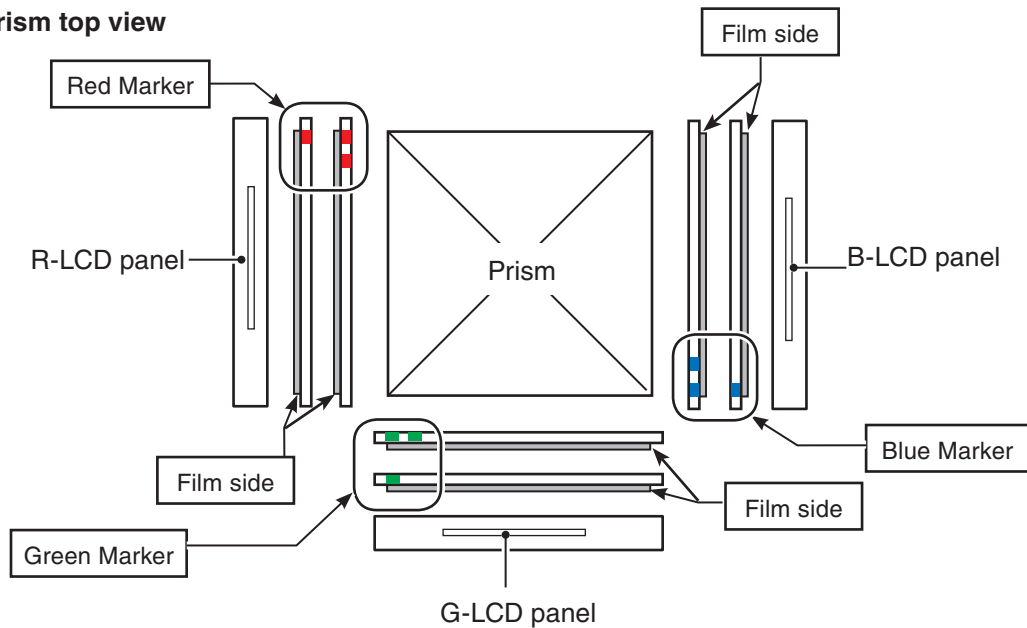
1 Remove 1 screw D (M2.5x6) on each stopper and take the polarized glasses upward off.



Mounting direction

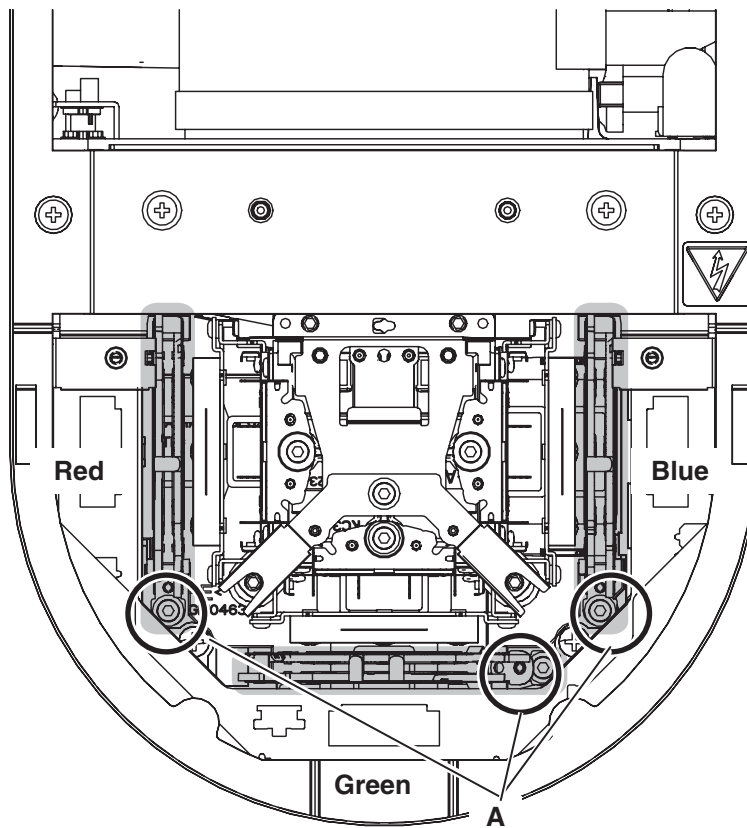
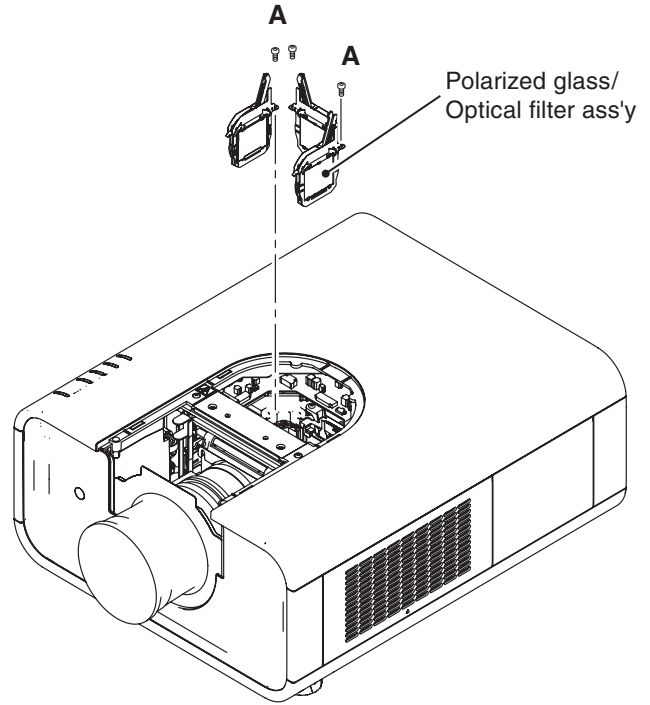
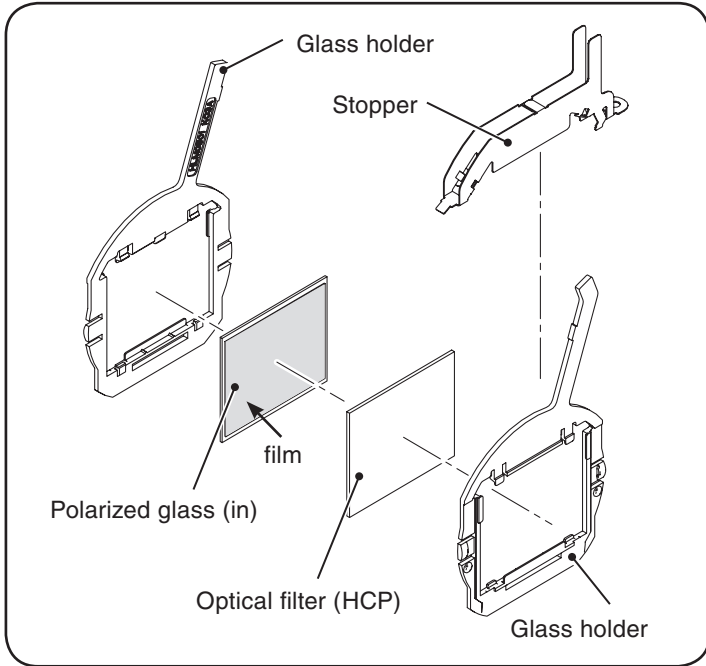
Mount the pre-polarized glasses and polarized glasses as shown in the figure below.

LCD panel/Prism top view



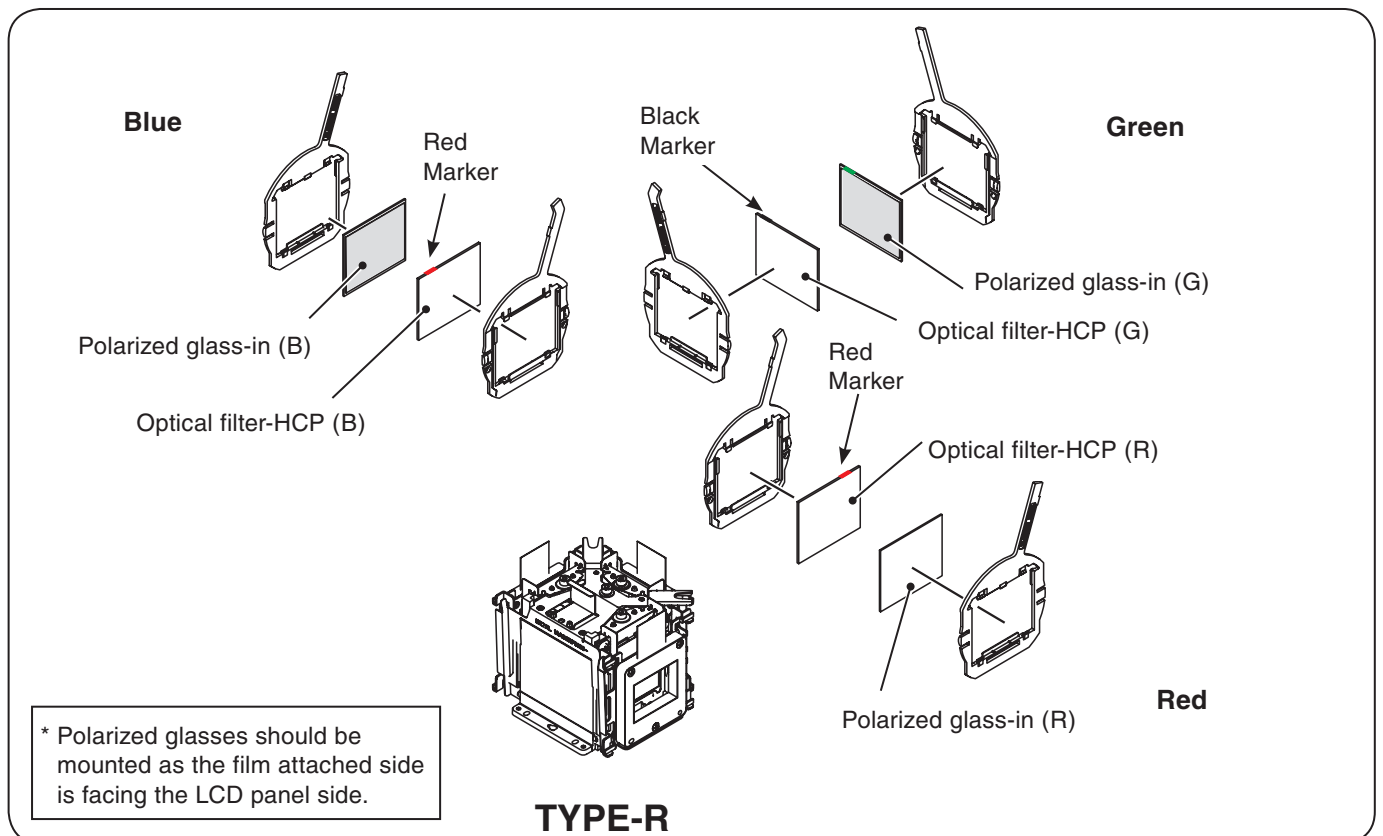
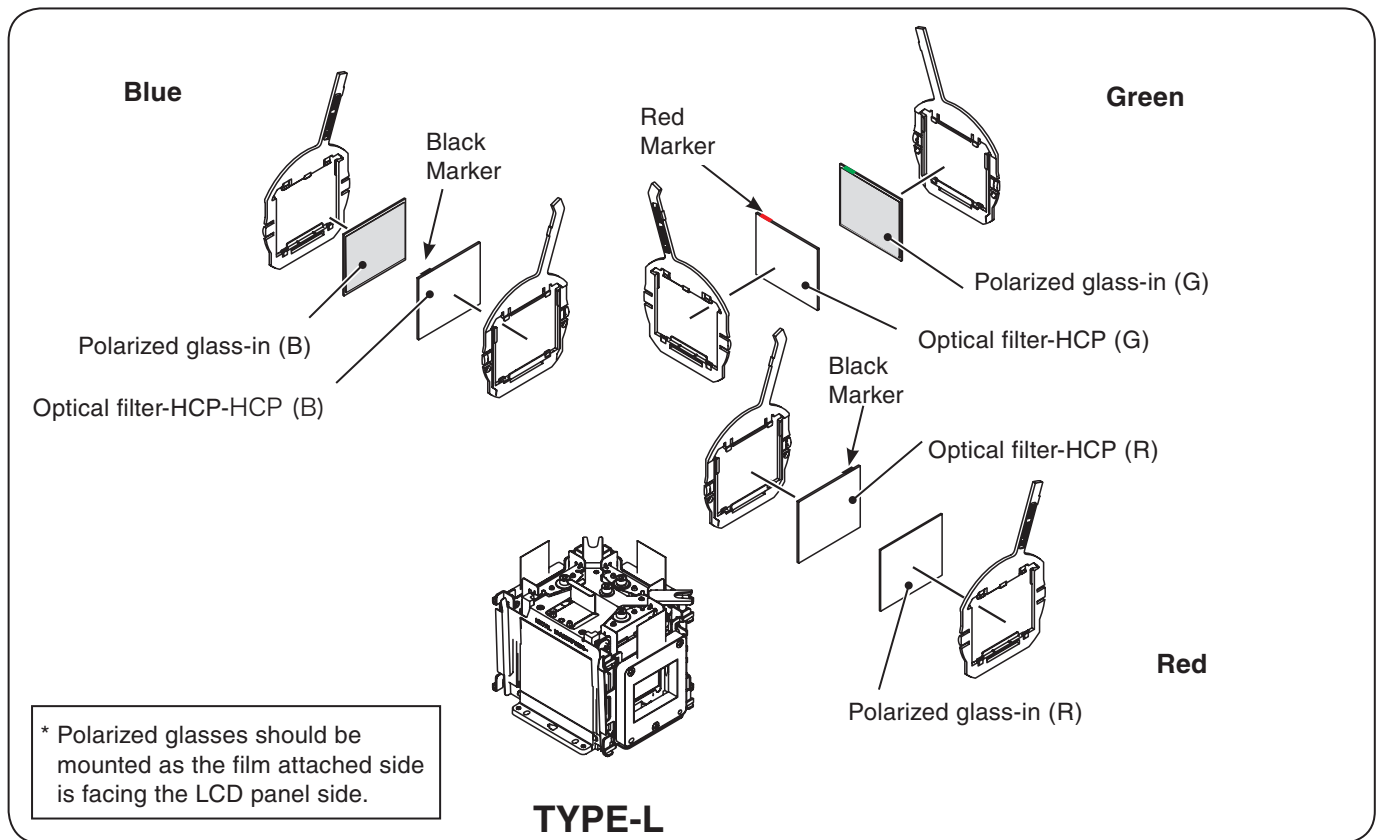
3 Polarized glass/Optical filter ass'y removal

1 Remove 1 screw A (M2.5x5) on each stopper and take the polarized glasses upward off.



3-1 Polarized glass/Optical filter mounting

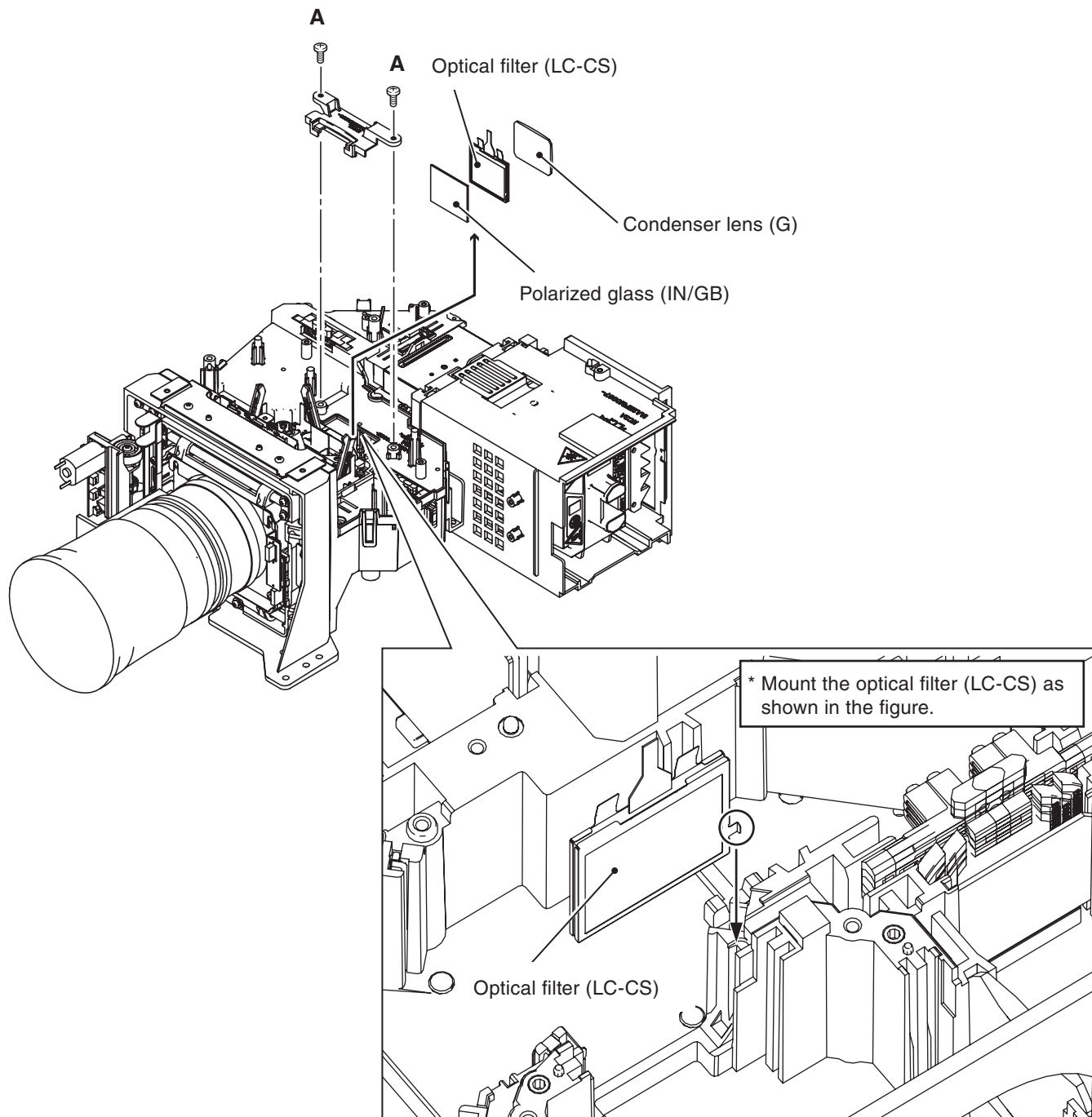
There are 2 types combination of the LCD panel/prism assembly named Type-R and Type-L. Mount the polarized glasses and optical filters according to the type of the LCD panel assembly as shown in the figure below



4 Optical filter, Polarized glass (IN/GB), Condenser lens (G) removal

Before taking this procedure, remove Cabinet top and Main board following to the chapter "Mechanical Disassembly".

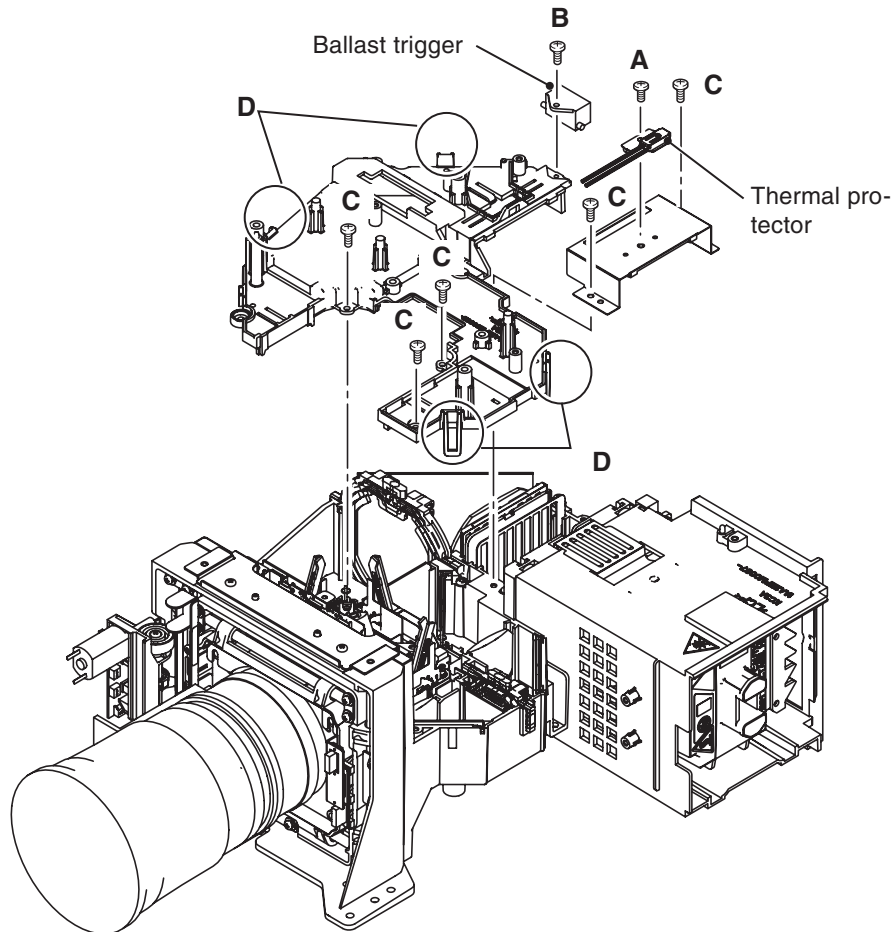
- 1 Remove 2 screws A (M3x8) and remove the optical filter cover.
- 2 Remove the optical filter (LC-CS), polarized glass (IN/GB) and condenser lens (G) upward off.



5 Optical base top removal

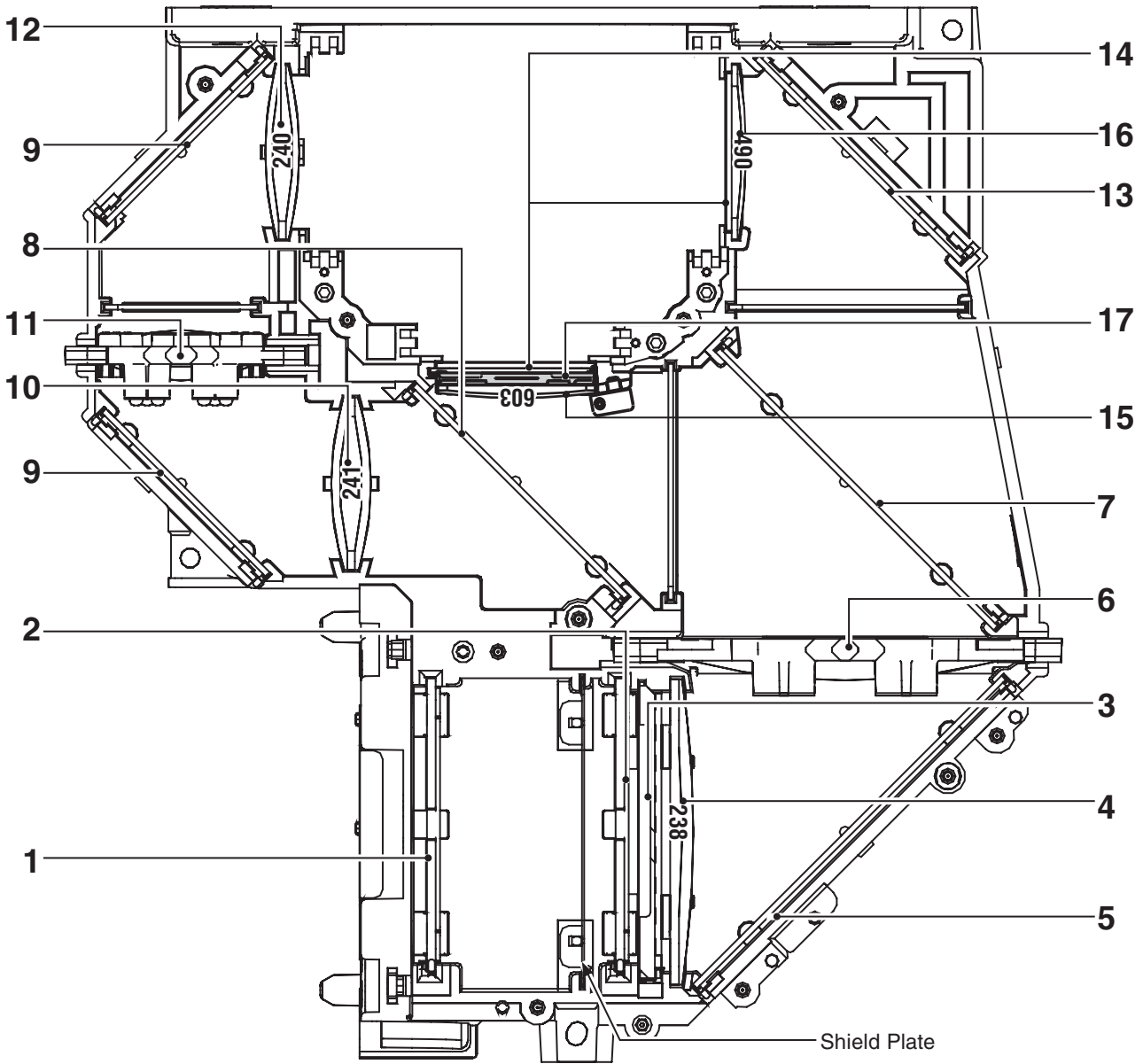
Before taking this procedure, remove cabinet top, main board following to the chapter "Mechanical disassembly".

- 1 Remove 1 screw A (M3x6) on the thermal protector, 1 screw B (T3x10) on the ballast trigger and 5 screws C (T3x10).
- 2 Unhook 4 hooks D on the optical base top and take the optical base top upward off.



5-1 Optical parts locations in the Optical Unit

No.	Parts Name	No.	Parts Name
1	LENS,INTEGRATOR(IN) *	10	LENS,RELAY(IN)
2	LENS,INTEGRATOR(OUT) *	11	LENS,RELAY(OUT) *
3	ASSY,PRISM(PBS)	12	LENS,CONDENSER(R)
4	LENS,CONDENSER(IN)	13	MIRROR(B)
5	MIRROR(W-COLD)	14	POLARIZED GLASS(IN/GB)
6	LENS,CONDENSOR(OUT) *	15	LENS,CONDENSER(G)
7	DICHROIC MIRROR (B)	16	LENS,CONDENSER(B)
8	DICHROIC MIRROR (G)	17	OPTICAL FILTER (LC-CS)
9	MIRROR(R)		

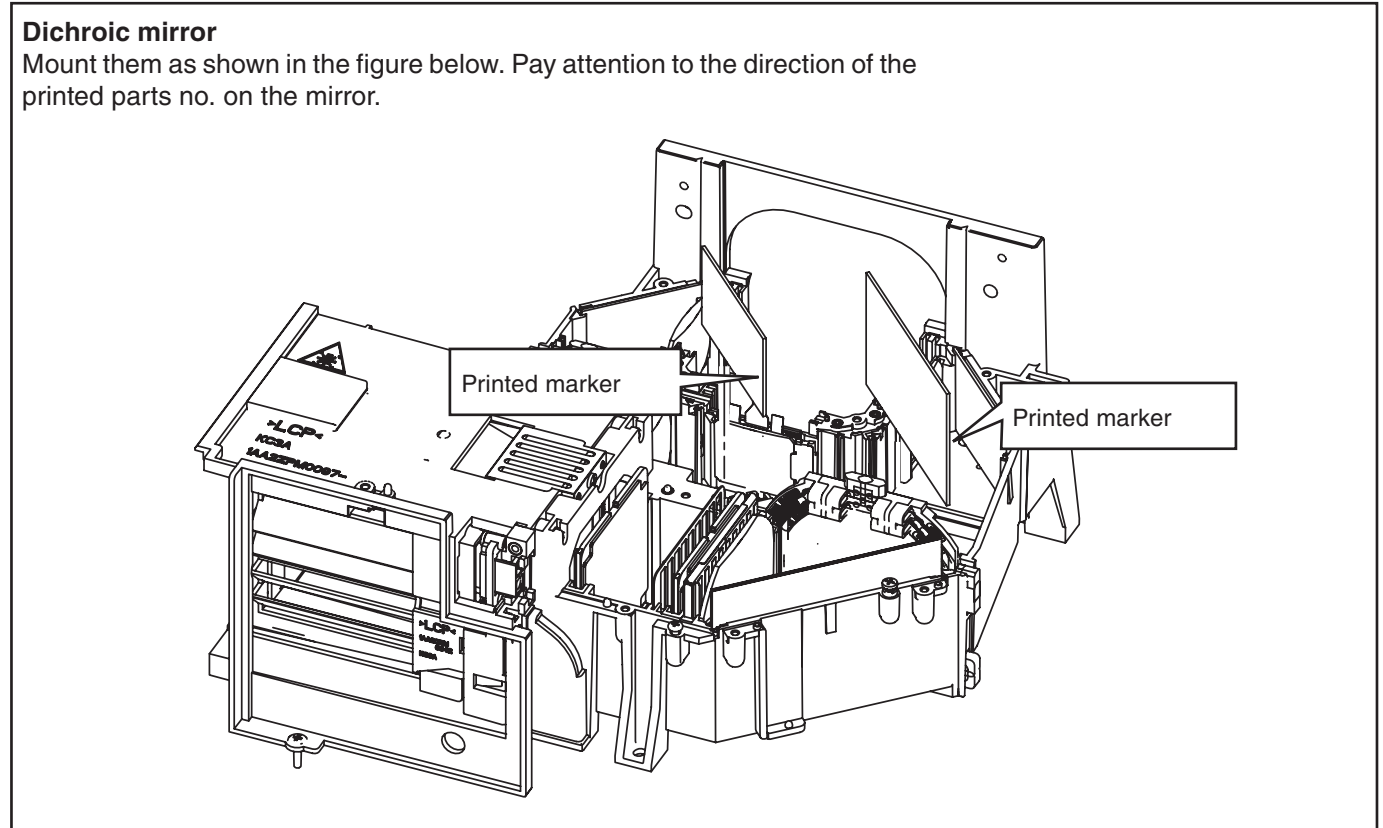
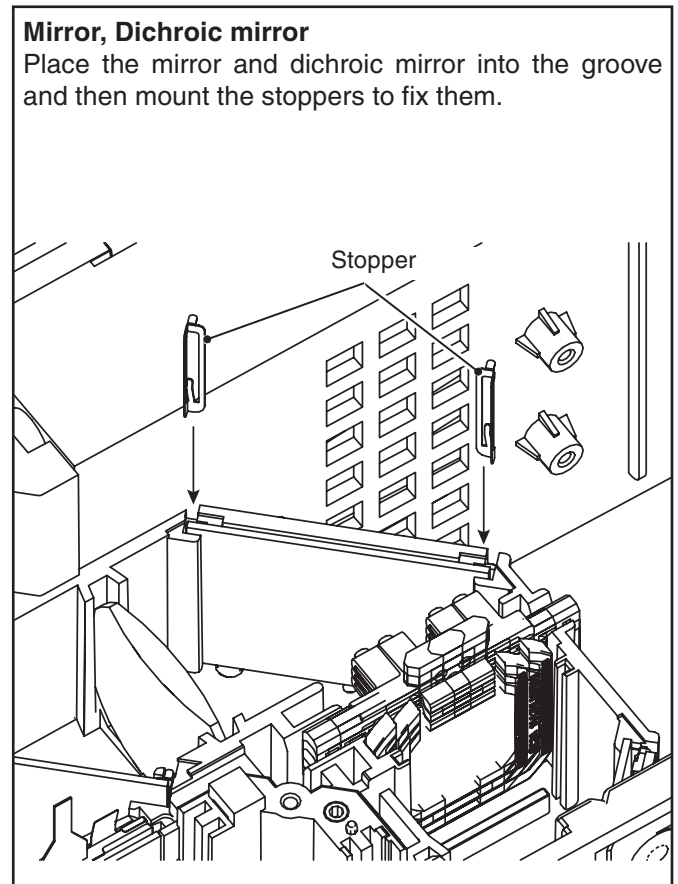
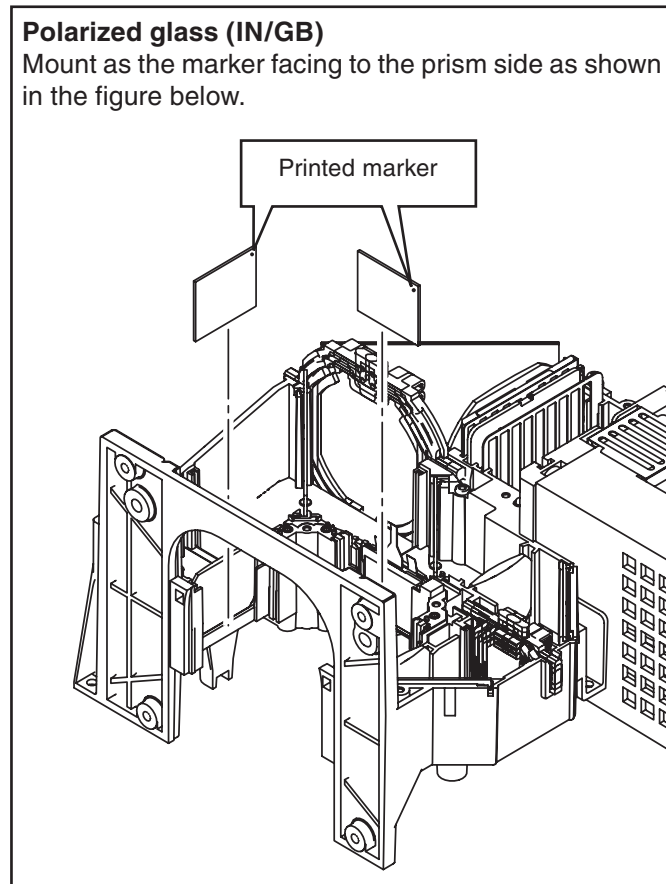


Note:

The parts indicated with (*) are fixed with the adhesive onto the optical base bottom, so these parts are not the replaceable parts.

5-2 Optical parts directions in the Optical Unit

When mounting or assembling the optical parts in the optical unit, the parts must be mounted in the specified location and direction as shown in the figure below.



Adjustments

Adjustments after Parts Replacement

● : Adjustment necessary ○ : Check necessary

		Disassembly / Replaced Parts					
		LCD/ Prism Ass'y	Polarized Glass	Optical Filter (Ye Device)	Power Board	Main Board	Fans Wind Sensor
Optical Adj.	Contrast adjustment	●	●	●			
Electrical Adjustments	Fan voltage adjustment				●	●	●(Fans)
	PC-auto calibration					●	
	Video-auto calibration					●	
	Component-auto calibration					●	
	Common voltage adjustment	●				●	
	Gamma shift adjustment	○				●	
	PC White balance adjustment-1	○				●	
	PC White balance adjustment-2	○				●	
	AV White balance adjustment	○				●	
	Wind sensor calibration				●	●	●(S901)
	Color shading correction adjustment * ¹	○	○	○		○	
	Gamma shipment setting-up * ¹	●				●	
Ye-superimposed shipment setting-up * ¹			●		●		

*¹ To setup or adjust those items, the Projector Service Tool v. 4.20 software is needed. Refer to the owner's manual for this software for the further details.

Note on Main Board Replacement

Take the following setting when the main board is replaced.

- Shipment data setting (Color Shading Correction, Gamma Shipment, Ye-Superimposed Shipment)
- Serial No. Setting

Adjustment Ship Data Setting

This projector stores "Color Shading Correction Data", "Gamma Data" and "Ye-Superimposed Data" in the flash memory (IC801) and memory (IC1387) on the main board. Those shipping data have been setup according to the optical characteristics of the mounted LCD panels and Ye device (Optical Filter) precisely in the factory. When replacing the main board, you need to read out the those setting data stored in the memory ICs on the previous main board and write down them into the memory ICs on the new main board. By this way, the projector enables to reproduce the picture which has properly adjusted color shading correction, gamma correction and Ye characteristics. If it is not possible to read out the data, or replace the LCD/Prism assy or Ye device (Optical Filter), you need to write the initial data which is setting the typical characteristics of the LCD panel and Ye device into the flash memory on the new board. For further details, refer to the operation manual of the software [PROJECTOR SERVICE TOOL v4.20].

Serial No. Setting

Each projector has a unique serial no. controlled in the factory. There are 2 ways to check this serial no. The one is printed on the rating label on the cabinet, the other one is displayed on the "Information" on the on-screen menu. The serial no. displayed on the on-screen menu is stored in the memory IC (IC1387) on the main board. When replacing the main board or memory IC, you need to write the serial no. referring to the serial no. printed on the rating label with the serial no. setting tool. For further details, refer to the operation manual of the serial no. setting tool [SST LITE v1.00].

Those software are including in the service CD-ROM listed below;

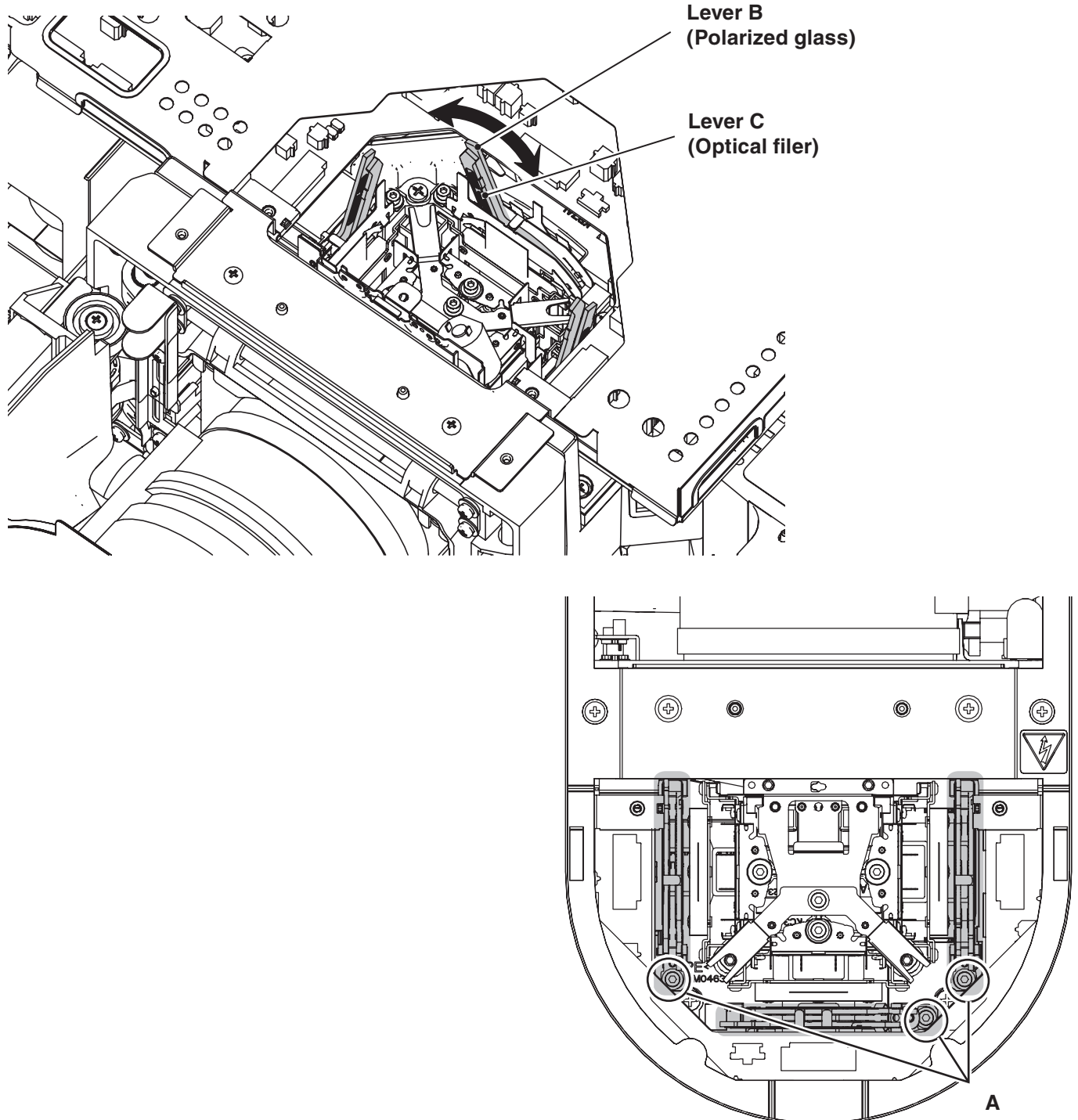
PROJECTOR SERVICE TOOL CD-ROM v4.20 SERVICE CODE: 610 343 5596

Optical Adjustments

Contrast adjustment

- 1 Select the internal test pattern signal "All black" from the projector's menu "Menu -> Setting -> Test pattern".
 - 2 Loosen a screw A on the polarized glass holder which you intend to adjust.
 - 3 Turn the lever B of polarized glass to obtain the darkest brightness and proper black color uniformity on the screen.
 - 4 Turn the lever C of optical filter to obtain the darkest brightness and proper black color uniformity on the screen.
 - 5 Tighten the screw A to fix the polarized glass holder.
- Repeat steps 2 to 5 for remaining R and B contrast adjustment.

This adjustment should be taken in order of G-panel, R-panel and B-panel.
This adjustment should be taken in the dark room to adjust precisely.




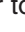


Electrical Adjustments

Service Adjustment Menu Operation

To enter the service mode

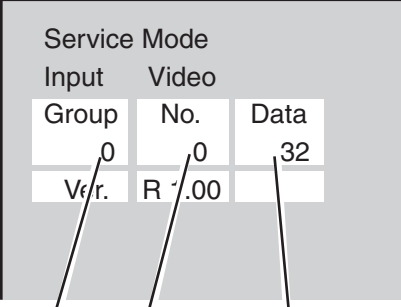
To enter the “Service Mode”, press and hold the **MENU** and **SELECT** button for more than 3 seconds. The service menu appears on the screen as follows.

To adjust service data

Select the adjustment group no. by pressing the **MENU** button (increase) or **SELECT** button (decrease), and select the adjustment item no. by pressing the pointer  or  button, and change the data value by pressing the  or  button. Refer to the “Service Adjustment Data Table” for further description of adjustment group no., item no. and data value.

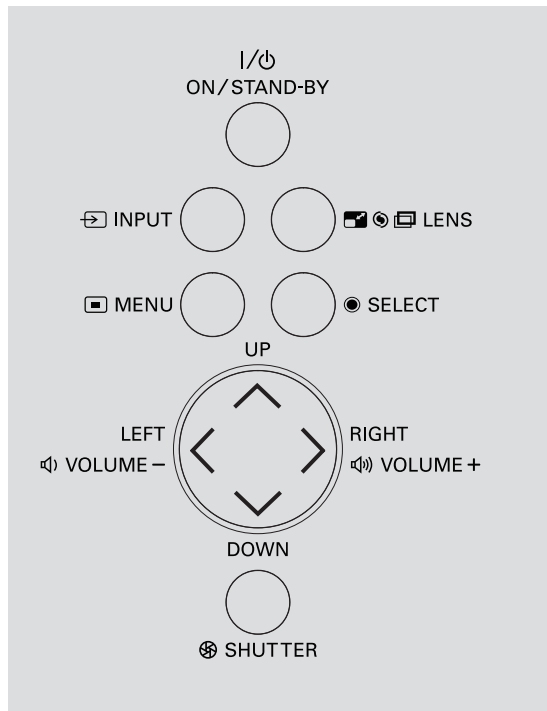
To exit the service mode

To exit the service mode, press the **ON/STAND-BY** button.



Service Mode		
Input		Video
Group	No.	Data
0	0	32
Vfr.	R	.00

Group No. Item No. Data value



Memory IC (IC1387) Replacement

Memory IC on the main board stores the data for the service adjustments, and should not be replaced except for the case of defective device.

If replaced, the re-adjustments are required following to the “Electrical Adjustments”.

The data of lamp replacement counter is stored in the Memory IC.

Please note that the lamp replace counter will be reset when the memory IC is replaced.

(Lamp replace counter cannot be set to the previous value.)

● Caution to memory IC replacement

When memory IC is replaced with new one, the CPU writes down the default data of the service adjustments to the replaced ICs as the mentioned on the service adjustment table. As these data are not the same data as

factory shipped data, it should be required to perform the re-adjustments following to the “Electrical Adjustments”.

Please note that in this case the lamp replace counter will be reset.

● Caution of Main Board replacement (in the case memory IC is not defective)

When the main board is replaced, memory IC should be replaced with the one on previous main board. After replacement, it should be required to perform the re-adjustments following to the “Electrical Adjustments”.

In this case, the value of lamp replace counter can be kept as before.

Circuit Adjustments

CAUTION: The each circuit has been made by the fine adjustment at factory. Do not attempt to adjust the following adjustments except requiring the readjustments in servicing otherwise it may cause loss of performance and product safety. Before taking these adjustments, turn the projector for more than 10 minutes to stabilize the operation.

[Adjustment Condition]

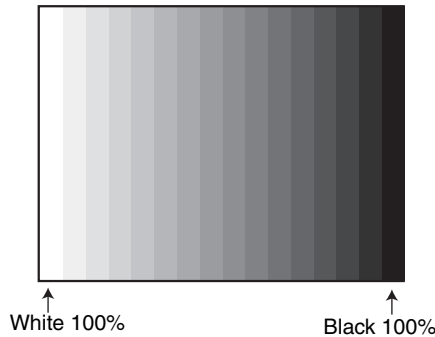
● Input signal

Analog Computer signal..... 0.7Vp-p/75Ω terminated (XGA)

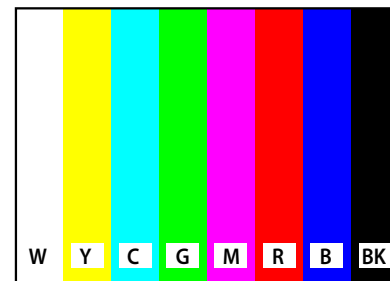
Composite Video signal ... 1.0Vp-p/75Ω terminated (NTSC / PAL)

Component Video signal.... 0.7Vp-p/75Ω terminated (480i, 480p, 720p, 1080i)

16 steps gray scale pattern



100% full color bar pattern



● Picture control mode “STANDARD” mode unless otherwise noted.

● Lamp mode..... “Normal” mode unless otherwise noted.

Note:

* Please refer to “Service Adjustment Menu Operation” for entering the service mode and adjusting the service data.

1 Fan Voltages adjustment

Equipment Digital voltmeter

1. Enter the service mode.
2. Change data values of each test point to adjust the fan driving voltage.

Group No.	Fan	Test Point	Adjustment value
250 - 0	FN907	TPFN1	5.0 +0.1 -0Vdc
250 - 1	FN907	TPFN1	13.8 +0 -0.1Vdc
250 - 2	FN903	TPFN2	4.0 +0.1 -0Vdc
250 - 3	FN903	TPFN2	13.8 +0 -0.1Vdc
250 - 4	FN905/906	TPFN3	5.0 +0.1 -0Vdc
250 - 5	FN905/906	TPFN3	13.8 +0 -0.1Vdc
250 - 6	FN904	TPFN5	4.5 +0.1 -0Vdc
250 - 7	FN904	TPFN5	13.8 +0 -0.1Vdc
250 - 8	FN902	TPFN6	5.0 +0.1 -0Vdc
250 - 9	FN902	TPFN6	13.8 +0 -0.1Vdc
250 - 10	FN901	TPFN7	5.0 +0.1 -0Vdc
250 - 11	FN901	TPFN7	13.8 +0 -0.1Vdc
250 - 12	FN908	TPFN8	5.0 +0.1 -0Vdc
250 - 13	FN908	TPFN8	13.8 +0 -0.1Vdc

2 PC-Auto calibration

Input mode Computer mode
Input signal 16-step gray scale computer signal

1. Enter the service mode.
2. To start the auto-calibration for PC adjustment, select Group "260", No. "0", and then change data value "0" to "1".

After the auto-calibration completed, "OK" will appear on the screen.

3 Video-Auto calibration

Input mode Video mode (Composite)
Input signal 100% color bar signal

1. Enter the service mode.
2. To start the auto-calibration for composite-video adjustment, select Group "260", No. "0", and then change data value "0" to "1".

After the auto-calibration completed, "OK" will appear on the screen.

4 Component-Auto calibration

Input mode	Video mode (Component)
Input signal	100% color bar signal (480i)
	100% color bar signal (480p)
	100% color bar signal (720p)
	100% color bar signal (1080i)

1. Enter the service mode.
2. To start the auto-calibration for component-video adjustment, select Group "260", No. "0", and then change data value "0" to "1".
After the auto-calibration completed, "OK" will appear on the screen.
3. Take auto-calibration for each component signal listed above.

5 Common Voltage adjustment

Input mode	Computer mode
Input signal	50%-RGB pattern computer signals or 16-step gray scale computer signal
Advanced Color	Off

1. Enter the service mode.
2. Select Group "101", No. "1" and then change data value from "2" to "0" to reduce the panel frequency.
3. Change data value to obtain **the minimum flicker** for each color on screen.

<u>Group</u>	<u>No.</u>	<u>Adjustment</u>
100	- 11	for red flicker
100	- 9	for green flicker
100	- 10	for blue flicker

4. Select Group "101", No. "1" and then change data value from "0" to "2".

To switch Advanced Color function "Auto" or "Off"
Display on-screen menu, and select "Image" -> "Advanced Color" -> "Auto" or "Off".

PC, Video, Component Manual adjustment

When the PC, Video or Component Auto Calibration fails, take the following manual adjustment instead of auto calibration.

[1] PC Manual adjustment

Input mode	Computer mode
Input signal	16-step gray scale computer signal

Adjust the data values as the 100% white part on the screen becomes the most noisy (darkest).

<u>Group</u>	<u>No.</u>	<u>Adjustment</u>
10	- 3	ADC-Green Gain
10	- 4	ADC-Red Gain
10	- 5	ADC-Blue Gain

[2] Video Manual adjustment

Input mode	Video mode (Composite)
Input signal	100% color bar signal

Adjust the data values as the 100% white part on the screen becomes the most noisy (darkest).

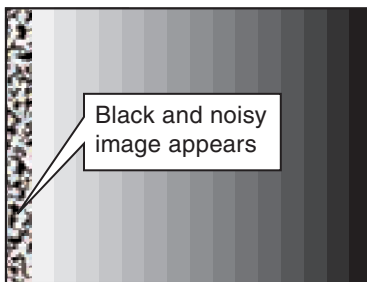
<u>Group</u>	<u>No.</u>	<u>Adjustment</u>
20	- 0	Y Level

[3] Component Manual adjustment

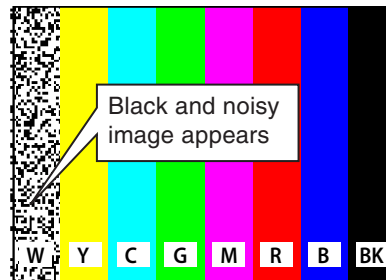
Input mode	Video mode (Component)
Input signal	100% color bar signal (480i)
	100% color bar signal (480p)
	100% color bar signal (720p)
	100% color bar signal (1080i)

Adjust the data values as the 100% white part on the screen becomes the most noisy (darkest).

<u>Group</u>	<u>No.</u>	<u>Adjustment</u>
0	- 3	ADC-Green Gain
0	- 4	ADC-Red Gain
0	- 5	ADC-Blue Gain



16-step gray scale



100% full color bar

6 Gamma Shift adjustment

Equipment	Luminance meter
Input mode	Computer mode
Input signal	100%-white and 50%-gray computer signal

1. Enter the service mode.
2. Input the 100%-white computer signal and measure luminance on the screen with the luminance meter. It is **A** for the reading of luminance meter.
3. Change the signal source to the 50%-white computer signal.
4. Select group no. "**103**", item no. "**5**" and change the Data value to make the reading of luminance meter to be **A x 22%**.

7 PC White Balance adjustment-1

Input mode	Computer mode
Input signal	16-step gray scale computer signal
Image mode	Standard and Real
Advanced Color	Auto and Off

1. Enter the service mode.
2. Change data value to adjust proper white balance in the both image mode.

<u>Group No.</u>	<u>Adjustment</u>
103 - 4	Red color balance
103 - 6	Blue color balance

This adjustment must be taken in the both of Advanced Color: Auto and Off mode.

8 PC White Balance adjustment-2

1. Enter the service mode. (Input signal is not required.)
2. Select Group "**982**", No. "**64**". When the data value is changed "**0**" to "**10**", the adjustment is performed automatically. This adjustment takes for about 1 minute. After completing the adjustment, the data value returns to "0".
3. Select Group "**930**", No. "**0**". Confirm its value is "**11**". If not, the adjustment is failed. Try again.
4. Check proper white balance and gray scale are obtained in the selected input mode.

9 AV White Balance adjustment-1

Input mode	Video mode (Composite)
Input signal	16-step gray scale video signal
Image mode	Standard and Cinema
Advanced Color	Auto and Off

1. Enter the service mode.
2. Change data value to adjust proper white balance in the both image mode.

<u>Group No.</u>	<u>Adjustment</u>
103 - 4	Red color balance
103 - 6	Blue color balance

This adjustment must be taken in the both of Advanced Color: Auto and Off mode.

Check proper white balance and gray scale are obtained in the selected input mode.

10 Wind Sensor calibration

1. Enter the service mode, select group no. "**240**" and item no. "**0**".
2. To start the adjustment, change data value from "**0**" to "**1**". After the auto-calibration completed, "OK" will appear on the screen.

IMPORTANT

Before taking this adjustment, you need to replace the air filter with new one or scroll up the filter sheet and make sure the filter is securely installed.

11 Color Shading Correction adjustment

If the correction of the Color shading adjustment is necessary, please adjust the "Color shading" by using the "PROJECTOR SERVICE TOOL v4.20" software supplied separately.

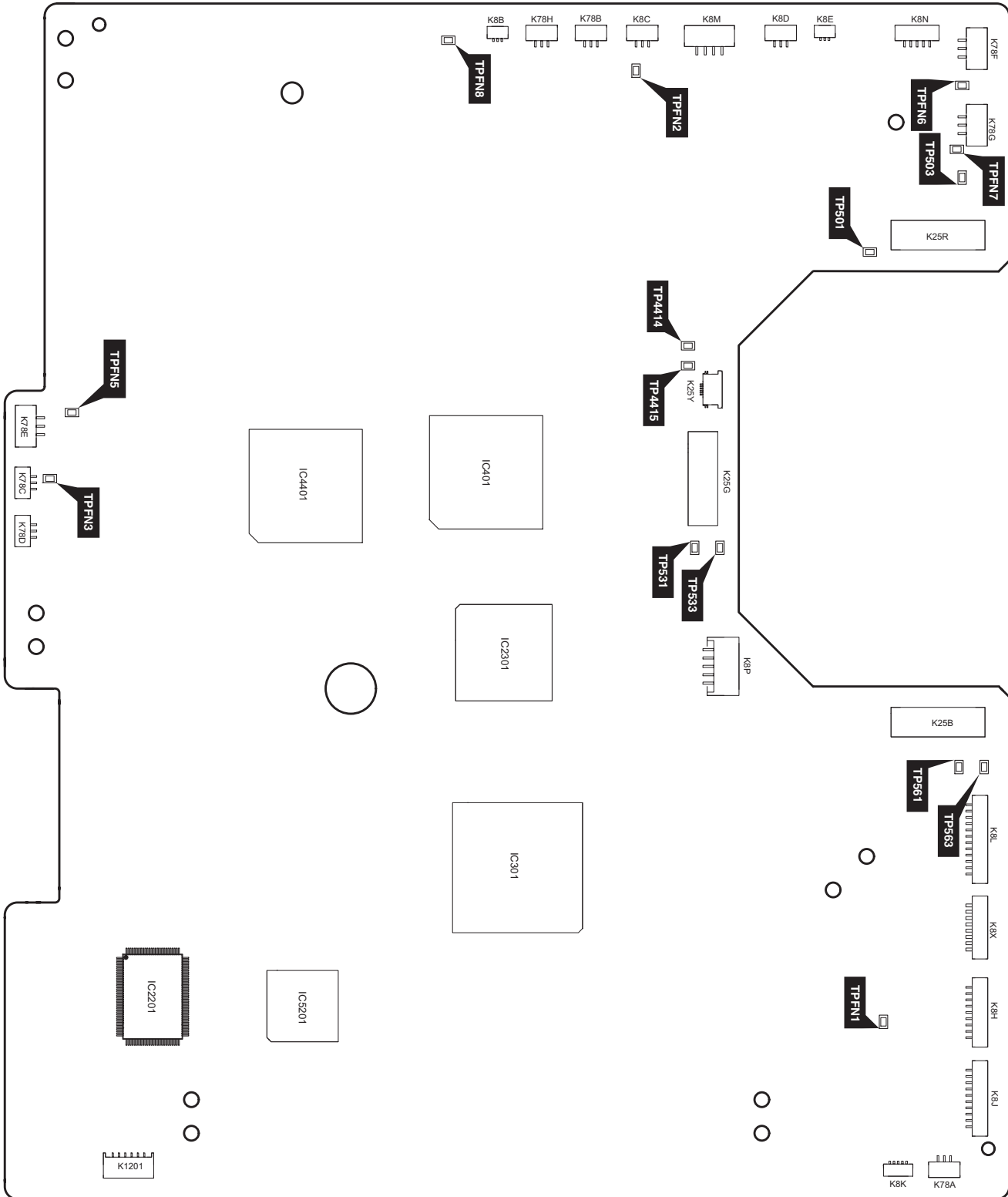
The color shading correction adjustment for this model should be performed with the whole-gray patterns specified as below.

8-input patterns:

5% gray, 10% gray, 20% gray, 30% gray, 50% gray, 60% gray, 70% gray, 80% gray

Test Points and Locations

MAIN BOARD



Service Adjustment Data Table

These initial values are the reference data written from the CPU ROM to memory IC when replaced new memory IC. The adjustment items indicated with “*” are required to readjust following to the “Electrical adjustments”. Other items should be used with the initial data value.

Grp / No.	Item	Function	Range	Initial	Note
0	AD Converter (PW392)				
3	ADC G-GAIN	YCbCr 480i (575i) / YCbCr 480p (575p) / YCbCr 720p (720p50) / YCbCr 1080i (1035i, 1080i50) / SCART	0 - 1023	210/210/ 212/212/229	
4	ADC R-GAIN	YCbCr 480i (575i) / YCbCr 480p (575p) / YCbCr 720p (720p50) / YCbCr 1080i (1035i, 1080i50) / SCART	0 - 1023	235/235/ 235/235/232	
5	ADC B-GAIN	YCbCr 480i (575i) / YCbCr 480p (575p) / YCbCr 720p (720p50) / YCbCr 1080i (1035i, 1080i50) / SCART	0 - 1023	225/225/ 225/225/233	
10	SOGTH	COMPONENT / SCART	0 - 15	4 / 4	
11	SOGHYSDIS	COMPONENT / SCART	0 - 1	1 / 0	
12	HS1TH	H Sync1 Threshold COMPONENT / SCART	0 - 7	4 / 4	
13	HS0TH	H Sync0 Threshold COMPONENT / SCART	0 - 7	4 / 4	
10	AD Converter (ISL51002/ISL98001)				
3	ADC G-GAIN	PC	0 - 1023	235	
4	ADC R-GAIN	PC	0 - 1023	235	
5	ADC B-GAIN	PC	0 - 1023	235	
20	Video Decoder				
0	Y Level	Composite 60Hz/ S-Video 60Hz/ Composite 50Hz / S-Video 50Hz- Y Level (ADC RGB Gain)	0 - 1023	153/153/161/161	
1	C Level	Composite 60Hz / S-Video 60Hz / Composite 50Hz / S-Video 50Hz - C Level (ADC Saturation)	0 - 1023	410/410/440/440	
10	XCXL Parameter	XCXL Level	0 - 4	2	
11	Sync Amp Low	Minimum sync amplitude threshold for HLOCK 1 to 0 transition	0 - 9999	1792	
12	Sync Amp High	Minimum sync amplitude threshold for HLOCK 0 to 1 transition	0 - 9999	4096	
13	Luma Setup Enable	7.5IRE Mode (NTSC only)	0 - 1	0	
14	Anti-Alias Filter	Anti-Alias Filter	0 - 7	4	
15	Anti-Alias Downsample	Anti-Alias Downsample	0 - 3	0	
16	Anti-Alias High Frequency	Anti-Alias High Frequency	0 - 3	3	
20	Comb 3D Cross-Luma Top/Bottom Amplitude	for PAL/SECAM only	0 - 3	3	
40	General				
0	IP Mode	Set at IP OFF 0 : Not used IP Block 1: Used IP Block and IP OFF	0 - 1	1	
1	3:2 PullDown Mode	bit0: Global Motion bit1: Video Motion	1 - 3	1	
2	Detect Film Mode Enable	0: 2:3pull down & 2:2pull down 1: 2:3pull down 2: 2:2pull down	0 - 2	0	
3	NR Enable for Analog YUV	0 : Noise Reduction detected with Y and UV motion 1 : Noise Reduction detected with Y motion	0 - 1	1	
4	NR Enable for Digital YUV		0 - 1	0	
41	Deinterlacer setting Progressive Mode1, Film Parameter				
0	Motion Adaptive Weight Value	<KDEINT>	0 - 255	25/25/25	
1	Angle Interpolation Level	0 : Conservative <====> 4 : Aggressive	0 - 4	2/2/2	
2	CUE Low Pass Filter Enable	<CUELPFEN>	0 - 1	0/0/0	
42	Deinterlacer setting Progressive Mode2 Parameter				
0	Motion Adaptive Weight Value	<KDEINT>	0 - 255	0/0/0	
1	Angle Interpolation Level	0 : Conservative <====> 4 : Aggressive	0 - 4	2/2/2	
2	CUE Low Pass Filter Enable	<CUELPFEN>	0 - 1	0/0/0	
47	Noise Reduction (time) NR L1 Parameter				
0	Noise Pixel Range	<NSRANGEY> / <NSRANGEUV>	0 - 2	1	
1	Noise Region 0	<NSREGIONY0> / <NSREGIONUV0>	0 - 1023	12	
2	Noise Region 1	<NSREGIONY1> / <NSREGIONUV1>	0 - 1023	24	
3	Noise Region 2	<NSREGIONY2> / <NSREGIONUV2>	0 - 1023	40	
4	Noise Gain Level	<NSFILTERY**> / <NSFILTERUV**>	0 - 255	100	
49	Noise Reduction (time)				
0	Noise Pixel Range	<NSRANGEY> / <NSRANGEUV>	0 - 2	1	
1	Noise Region 0	<NSREGIONY0> / <NSREGIONUV0>	0 - 1023	12	
2	Noise Region 1	<NSREGIONY1> / <NSREGIONUV1>	0 - 1023	24	
3	Noise Region 2	<NSREGIONY2> / <NSREGIONUV2>	0 - 1023	40	
4	Noise Gain Level	<NSFILTERY**> / <NSFILTERUV**>	0 - 255	100	

Electrical Adjustment

Grp / No.	Item	Function	Range	Initial	Note
50	2:2pull down setting				
0	22Film Mode Sensitivity	Film Detection Sensitivity <FILMSTVT2>	1 - 5	4	
1	22Film Mode Threshold Low	<FILMTHRD22A>	0 - 1023	80	
2	22Film Mode Threshold High	<FILMTHRD22B>	0 - 1023	120	
3	Video Motion Window Start X	<VOFSTARX>	0 - 255	10	
4	Video Motion Window Stop X	<VOFSTOPX>	0 - 255	10	
5	Video Motion Window Start Y	<VOFSTARY>	0 - 255	10	
6	Video Motion Window Stop Y	<VOFSTOPY>	0 - 255	10	
51	2:3pull down setting				
0	Global Motion Sensitivity	Film Detection Sensitivity <FILMSTVT23>	1 - 5	4	
1	Video Motion Sensitivity	Film Detection Sensitivity <VOFSTVT>	1 - 5	4	
2	Video Motion Threshold Low	<VOFTHRDA>	0 - 1023	120	
3	Video Motion Threshold High	<VOFTHRDB>	0 - 1023	180	
4	Global Motion 23Film Threshold	<FILMTHRD23>	0 - 1023	100	
5	Global Motion Window Start X	<GMDSTARX>	0 - 255	10	
6	Global Motion Window Stop X	<GMDSTOPX>	0 - 255	10	
7	Global Motion Window Start Y	<GMDSTARY>	0 - 255	10	
8	Global Motion Window Stop Y	<GMDSTOPY>	0 - 255	10	
55	LTI / CTI				
0	Video Enhancement Enable	VEHEN	0 - 1	1	
1	DLTI Gain	DLTIGAIN	0 - 15	3	
2	DLTI Frequency	DLTIFREQ	0 - 3	2	
3	Bypass Anti-Alias Filter	DTIBYPASSAAL	0 - 1	0	
4	Lower DCTI Frequency	LOWERDCTIFREQ	0 - 1	1	
5	DCTI Gain	DCTIGAIN	0 - 15	4	
6	DCTI Frequency	DCTIFREQ	0 - 3	0	
7	Color Shift Limit	COLORSHIFTLMT	0 - 3	3	
60	Sub Image				
0	Center Contrast		0 - 1023	578/578/578/492/492/589 /589/492/492/589/492	
1	Center Brightness		0 - 1023	512/512/512/512/512/493 493/512/512/493/512	
2	Center Color		0 - 1023	512/512/512/512/512/512 /512/512/512/512/512	
3	Center Tint		0 - 180	90/90/90/90/90/90/90/90/90/90	
4	Fixed Sharpness(Up Scaling)		0-37	8/8/8/8/8/ 8/8/8/8/8	
5	Fixed Sharpness(Down Scaling)		0-37	8/8/8/8/8/ 8/8/8/8/8	
6	Center Sharpness(No FPGA)		0-37	16/16/16/16/16/16/ 16/16/16/16/16	
7	Center WB Red	Group	0 - 1023	512/512/512/512/512/512 /512/512/512/512/512	
8	Center WB Green	Composite / S-Video / Component / Digital / D-RGB-Video /AnalogRGB / RGB-Video / HDCP-PC / HDCP-AV / SCART / PJ- Net	0 - 1023	512/512/512/512/512/512 /512/512/512/512/512	
9	Center WB Blue	Value = (Menu Value - Menu Center) x Alpha / 10 + Center (Effective Range)	0 - 1023	512/512/512/512/512/512 /512/512/512/512/512	
10	Center BB Red	Contrast [Max] 1023 [Min] 0 Brightness [Max] 1023 [Min] 0	0 - 1023	512/512/512/512/512/512 /512/512/512/512/512	
11	Center BB Green	Color [Max] 1023 [Min] 0 Tint [Max] 180 [Min] 0	0 - 1023	512/512/512/512/512/512 /512/512/512/512/512	
12	Center BB Blue	Sharpness [Max] 57 [Min] 0 (Dummy) WB R/G/B [Max] 1023 [Min] 0 BB R/G/B [Max] 1023 [Min] 0	0 - 1023	512/512/512/512/512/512 /512/512/512/512/512	
13	Alpha Contrast		0 - 1000	60/60/60/60/60/60/ 60/60/60/60/60	
14	Alpha Brightness	Fixed Sharpness Up/Down [Max] 37 [Min] 0	0 - 1000	90/90/90/90/90/90/ 90/90/90/90/90	
15	Alpha Color		0 - 1000	140/140/140/140/140/140 /140/140/140/140/140	
16	Alpha Tint		0 - 1000	10/10/10/10/10/10/ 10/10/10/10/10	
17	Alpha Sharpness		0 - 1000	10/10/10/10/10/10/ 10/10/10/10/10	
18	Alpha WB Red		0 - 1000	40/40/40/40/40/40/ 40/40/40/40/40	
19	Alpha WB Green		0 - 1000	40/40/40/40/40/40/ 40/40/40/40/40	
20	Alpha WB Blue		0 - 1000	40/40/40/40/40/40/ 40/40/40/40/40	
21	Alpha BB Red		0 - 1000	20/20/20/20/20/20/ 20/20/20/20/20	
22	Alpha BB Green		0 - 1000	20/20/20/20/20/20/ 20/20/20/20/20	
23	Alpha BB Blue		0 - 1000	20/20/20/20/20/20/ 20/20/20/20/20	
80	FPGA				
0	Software version	FPGA Software Version Info.		Read only	
1	Hardware version	FPGA Software Version Info.		Read only	
2	Horizontal total			Read only	
3	Vertical total			Read only	

Electrical Adjustment

Grp / No.	Item	Function	Range	Initial	Note
4	Horizontal resolution			Read only	
5	Vertical resolution			Read only	
6	Color manager enable	0: Disable/1: Enable	0 ~ 1	1	
7	Y range		0 ~ 32	8	
8	Hue range		0 ~ 30	10	
9	Gain range		0 ~ 50	30	
10	Min slope		0 ~ 10	3	
11	Max slope		10 ~ 30	18	
12	Convergence		1 ~ 5	3	
13	Same hue		1 ~ 10	3	
14	UV normaliz		0 ~ 64	5	
15	Min Y		0 ~ 127	0	
16	Max Y		128 ~ 255	255	
17	Area big change		0 ~ 4095	67	
18	Area small change		0 ~ 4095	67	
19	Area change sense		0 ~ 4095	150	
20	Same Y		0 ~ 63	24	
21	Conv Y		0 ~ 127	64	
22	WB Limit 0		0 ~ 255	4	
23	WB Limit 1		0 ~ 255	40	
24	WB Limit 2		0 ~ 255	41	
25	WB Limit 3		0 ~ 255	41	
26	WB Limit 4		0 ~ 255	41	
27	WB Limit 8		0 ~ 255	41	
28	UV DLT		0 ~ 31	3	
29	UV Gain		0 ~ 2047	1030	
30	UV Shift		0 ~ 32767	6180	
31	WB Limit Out		0 ~ 255	20	
32	WB Limit In		0 ~ 255	14	
33	WB Limit PtFlg		0 ~ 1	1	
34	Set for SHOW, Setd Setting	0: Normal, 1: SHOW, 2 SHOW, 3: Test	0 ~ 3	0	
100	CLK_SHIFT	SW-FPGA : CLK_SHIFT : LVSClock Phase Adj.	-64 ~ 63	0	
81	FPGA - Ye Overlay				
0	DEC_R	Ye Overlay Control: R Coefficient(-)	0 ~ 255	130	
1	DEC_G	Ye Overlay Control: G Coefficient(-)	0 ~ 255	40	
2	B_RATIO	Ye Overlay Control: B Coefficient(+)	0 ~ 255	15	
3	SAT_SLOPE	Ye Overlay Control: Coefficient(Saturation)	0 ~ 255	71	
4	R_SLOPE	Ye Overlay Control: Coefficient(R-tint)	0 ~ 255	70	
5	G_SLOPE	Ye Overlay Control: Coefficient(G-tint)	0 ~ 255	77	
6	LUM_MAX	Ye Overlay Control: Coefficient(Max) PC-Standard	0 ~ 255	255	
7	LUM_MAX	Ye Overlay Control: Coefficient(Max) PC-Real	0 ~ 255	255	
8	LUM_MAX	Ye Overlay Control: Coefficient(Max) AV-Standard	0 ~ 255	255	
9	LUM_MAX	Ye Overlay Control: Coefficient(Max) AV-Cinema	0 ~ 255	255	
10	LUM_MIN	Ye Overlay Control: Coefficient(Min) PC-Standard	0 ~ 255	0	
11	LUM_MIN	Ye Overlay Control: Coefficient(Min) PC-Real	0 ~ 255	0	
12	LUM_MIN	Ye Overlay Control: Coefficient(Min) AV-Standard	0 ~ 255	0	
13	LUM_MIN	Ye Overlay Control: Coefficient(Min) AV-Cinema	0 ~ 255	0	
14	YE_SENS	Ye Overlay Control: Time Constant	0 ~ 255	4	
15	YE_TESTFLG	Ye Overlay Control: Test Flag	0 ~ 255	3	
16	DAC_MAX	Not used	0 ~ 255	255	
17	DAC_MIN	Not used	0 ~ 255	0	
18	DAC_UseMin	DAC Level at Power ON	0 ~ 255	0	
19	YE_FIX_VAL	Ye Overlay Control: Manual value at Fix PC-Standard	0 ~ 255	60	
20	YE_FIX_VAL	Ye Overlay Control: Manual value at Fix PC-Real	0 ~ 255	60	
21	YE_FIX_VAL	Ye Overlay Control: Manual value at Fix AV-Standard	0 ~ 255	60	
22	YE_FIX_VAL	Ye Overlay Control: Manual value at Fix AV-Cinema	0 ~ 255	60	
23	DAC_RangeMax	DAC Range Max.	0 ~ 255	255	
24	DAC_RangeMin	DAC Range Min.	0 ~ 255	32	
25	P_PWM_WIDTH	Panel PWM: Output Width	0 ~ 16383	376	
26	DAC_LEVEL(YEAUTO_YE_LVL)	DAC Level Forced Setting(Ye Auto)	0 ~ 255	255	
27	YE_APLUsed	APL Used Rate(%) at YE_VAL=100%	0 ~ 255	20	
28	YE_APLOff	APL Max(%) at YE_VAL= 0%	0 ~ 255	0	
29	YE_FIX_VAL_SW	Ye Overlay Control: Manual value Select at Fix PC-Standard	0 ~ 1	1	
30	YE_FIX_VAL_SW	Ye Overlay Control: Manual value Select at Fix PC-Real	0 ~ 1	1	
31	YE_FIX_VAL_SW	Ye Overlay Control: Manual value Select at Fix AV-Standard	0 ~ 1	1	
32	YE_FIX_VAL_SW	Ye Overlay Control: Manual value Select at Fix AV-Cinema	0 ~ 1	1	
33	YE_APL_A0	Min: X-Coordinate at Point 0(%)	0 ~ 127	30	
34	YE_APL_A1	Min: X-Coordinate at Point 1(%)	0 ~ 127	62	
35	YE_APL_A2	Min: X-Coordinate at Point 2(%)	0 ~ 127	75	

Electrical Adjustment

Grp / No.	Item	Function	Range	Initial	Note
36	YE_APL_A3	Min: X-Cordinate at Point 3(%)	0 ~ 127	90	
37	YE_APL_A4	Min: X-Cordinate at Point 4(%)	0 ~ 127	100	
38	YE_GAIN_A0	Min: Y-Cordinate at Point 0(%)	-256~ 255	-20	
39	YE_GAIN_A1	Min: Y-Cordinate at Point 1(%)	-256~ 255	-12	
40	YE_GAIN_A2	Min: Y-Cordinate at Point 2(%)	-256~ 255	-4	
41	YE_GAIN_A3	Min: Y-Cordinate at Point 3(%)	-256~ 255	13	
42	YE_GAIN_A4	Min: Y-Cordinate at Point 4(%)	-256~ 255	30	
43	YE_APL_B0	Max: X-Cordinate at Point 0(%)	0 ~ 127	8	
44	YE_APL_B1	Max: X-Cordinate at Point 1(%)	0 ~ 127	19	
45	YE_APL_B2	Max: X-Cordinate at Point 2(%)	0 ~ 127	30	
46	YE_APL_B3	Max: X-Cordinate at Point 3(%)	0 ~ 127	38	
47	YE_APL_B4	Max: X-Cordinate at Point 4(%)	0 ~ 127	45	
48	YE_GAIN_B0	Max: Y-Cordinate at Point 0(%)	-256 ~ 255	20	
49	YE_GAIN_B1	Max: Y-Cordinate at Point 1(%)	-256 ~ 255	26	
50	YE_GAIN_B2	Max: Y-Cordinate at Point 2(%)	-256 ~ 255	43	
51	YE_GAIN_B3	Max: Y-Cordinate at Point 3(%)	-256 ~ 255	70	
52	YE_GAIN_B4	Max: Y-Cordinate at Point 4(%)	-256 ~ 255	100	
53	YE_APL_C0	Detect Coefficient: X-Cordinate at Point 0(%)	0 ~ 127	7	
54	YE_APL_C1	Detect Coefficient: X-Cordinate at Point 1(%)	0 ~ 127	25	
55	YE_APL_C2	Detect Coefficient: X-Cordinate at Point 2(%)	0 ~ 127	40	
56	YE_APL_C3	Detect Coefficient: X-Cordinate at Point 3(%)	0 ~ 127	50	
57	YE_APL_C4	Detect Coefficient: X-Cordinate at Point 4(%)	0 ~ 127	60	
58	YE_EXP_C0	Detect Coefficient: Y-Cordinate at Point 0(%)	0 ~ 511	300	
59	YE_EXP_C1	Detect Coefficient: Y-Cordinate at Point 1(%)	0 ~ 511	278	
60	YE_EXP_C2	Detect Coefficient: Y-Cordinate at Point 2(%)	0 ~ 511	207	
61	YE_EXP_C3	Detect Coefficient: Y-Cordinate at Point 3(%)	0 ~ 511	120	
62	YE_EXP_C4	Detect Coefficient: Y-Cordinate at Point 4(%)	0 ~ 511	100	
63	YEOFF_YE_SW	Data Select at Ye Off 0:Fixed :YEOFF_YE_LVL, 1:DAC Calc Result: g_ans_fixval	0 ~ 1	1	
64	YEOFF_YE_LVL	Forced DAC Level Set for Ye Off	0 ~ 255	255	
100	CXA7009R				
0	G SIG Center		0 ~ 63	34	
1	B SIG Center		0 ~ 63	34	
2	R SIG Center		0 ~ 63	34	
3	G Gain Control		0 ~ 255	199	
4	B Gain Control		0 ~ 255	199	
5	R Gain Control		0 ~ 255	199	
6	G Bright Control		0 ~ 255	0	
7	B Bright Control		0 ~ 255	0	
8	R Bright Control		0 ~ 255	0	
9	G VCOM Control		0 ~ 255	100	* Common voltage adj.
10	B VCOM Control		0 ~ 255	100	* Common voltage adj.
11	R VCOM Control		0 ~ 255	100	* Common voltage adj.
12	G SID Control A		0 ~ 255	12	
13	B SID Control A		0 ~ 255	12	
14	R SID Control A		0 ~ 255	12	
15	G SID Control B		0 ~ 255	127	
16	B SID Control B		0 ~ 255	127	
17	R SID Control B		0 ~ 255	127	
18	G FRINV		0 ~ 1	0	
19	B FRINV		0 ~ 1	0	
20	R FRINV		0 ~ 1	0	
101	CXD3540_TG				
0	SCANM		0 ~ 3	2	
1	FRPM		0 ~ 2	2	* Common voltage adj.
2	SCAN_SEL		0~1	1	
3	HP		0 ~ 2047	14	
4	VP_G		0 ~ 255	4	
5	SHP_R		0 ~ 127	58	
6	SHP_G		0 ~ 127	58	
7	SHP_B		0 ~ 127	58	
8	FRP_HP		0 ~ 2047	49	
9	PRG_U		0 ~ 1023	49	
10	PRG_D		0 ~ 1023	112	
11	HST_R_Pf		0 ~ 127	22	
12	HST_R_PC		0 ~ 127	7	
13	DCK1_R_WA		0 ~ 127	11	
14	DCK1_R_F		0 ~ 127	48	

Electrical Adjustment

Grp / No.	Item	Function	Range	Initial	Note
15	DCK2_R_WA		0 ~ 127	0	
16	DCK2_R_F		0 ~ 127	0	
17	DCK3_R_WA		0 ~ 127	11	
18	DCK3_R_F		0 ~ 127	0	
19	DCK4_R_WA		0 ~ 127	0	
20	DCK4_R_F		0 ~ 127	0	
21	HST_G_PF		0 ~ 127	22	
22	HST_G_PC		0 ~ 127	7	
23	DCK1_G_WA		0 ~ 127	11	
24	DCK1_G_F		0 ~ 127	48	
25	DCK2_G_WA		0 ~ 127	0	
26	DCK2_G_F		0 ~ 127	0	
27	DCK3_G_WA		0 ~ 127	11	
28	DCK3_G_F		0 ~ 127	0	
29	DCK4_G_WA		0 ~ 127	0	
30	DCK4_G_F		0 ~ 127	0	
31	HST_B_PF		0 ~ 127	22	
32	HST_B_PC		0 ~ 127	7	
33	DCK1_B_WA		0 ~ 127	11	
34	DCK1_B_F		0 ~ 127	48	
35	DCK2_B_WA		0 ~ 127	0	
36	DCK2_B_F		0 ~ 127	0	
37	DCK3_B_WA		0 ~ 127	11	
38	DCK3_B_F		0 ~ 127	0	
39	DCK4_B_WA		0 ~ 127	0	
40	DCK4_B_F		0 ~ 127	0	
41	PCG_U		0 ~ 1023	49	
42	PCG_D		0 ~ 1023	206	
43	ENB_U		0 ~ 1023	120	
44	ENB_D		0 ~ 1023	26	
45	CLR_U		0 ~ 1023	0	
46	CLR_D		0 ~ 1023	0	
47	VCKP		0 ~ 2047	49	
48	VCKPD		0 ~ 2047	1344	
49	VSTP		0 ~ 255	125	
50	DFT_ON		0 ~ 1	0	
51	HPC_R_DAT0		0 ~ 8191	0	
52	HPC_R_DAT1		0 ~ 8191	0	
53	HPC_G_DAT0		0 ~ 8191	0	
54	HPC_G_DAT1		0 ~ 8191	0	
55	HPC_B_DAT0		0 ~ 8191	0	
56	HPC_B_DAT1		0 ~ 8191	0	
57	SCAN_HP		0 ~ 2047	49	
102	CXD3540_DSD_PRE				
0	USR_R_GAIN		0 ~ 1023	512	
1	USR_G_GAIN		0 ~ 1023	512	
2	USR_B_GAIN		0 ~ 1023	512	
3	USR_R_BRIGHT		0 ~ 8191	0	
4	USR_G_BRIGHT		0 ~ 8191	0	
5	USR_B_BRIGHT		0 ~ 8191	0	
6	FRM_DAT		0 ~ 255	0	
7	SEL_MODE		0 ~ 7	0	
8	RLR_DUM_PIX		0 ~ 127	8	
103	CXD3540_GAM				
0	GAM_ON		0 ~ 1	1	
1	GAM_R_GAIN		0 ~ 1023	512	
2	GAM_G_GAIN		0 ~ 1023	512	
3	GAM_B_GAIN		0 ~ 1023	512	
4	GAM_R_BRIGHT		0 ~ 8191	0	* White balance adj
5	GAM_G_BRIGHT		0 ~ 8191	0	* Gamma shift adj.
6	GAM_B_BRIGHT		0 ~ 8191	0	* White balance adj.
104	CXD3540_VXT				
0	VXT_DETECT_ON		0 ~ 1	1	
1	VXT_GSEL		0 ~ 3	2	
2	VXT_RCALC		0 ~ 1	0	
3	VXT_GCALC		0 ~ 1	0	
4	VXT_BCALC		0 ~ 1	0	

Electrical Adjustment

Grp / No.	Item	Function	Range	Initial	Note
5	VXT_ON		0 ~ 1	0	
6	VXT_RDATU1		0 ~ 255	8	
7	VXT_RDATU2		0 ~ 255	9	
8	VXT_RDATU3		0 ~ 255	22	
9	VXT_GDATU1		0 ~ 255	8	
10	VXT_GDATU2		0 ~ 255	9	
11	VXT_GDATU3		0 ~ 255	22	
12	VXT_BDATU1		0 ~ 255	8	
13	VXT_BDATU2		0 ~ 255	9	
14	VXT_BDATU3		0 ~ 255	22	
15	VXT_RDATL1		0 ~ 255	4	
16	VXT_RDATL2		0 ~ 255	5	
17	VXT_RDATL3		0 ~ 255	11	
18	VXT_GDATL1		0 ~ 255	4	
19	VXT_GDATL2		0 ~ 255	5	
20	VXT_GDATL3		0 ~ 255	11	
21	VXT_BDATL1		0 ~ 255	4	
22	VXT_BDATL2		0 ~ 255	5	
23	VXT_BDATL3		0 ~ 255	11	
24	VXT_TH_ON		0 ~ 15	15	
25	VXT_TH1		0 ~ 255	30	
26	VXT_TH2		0 ~ 255	61	
27	VXT_TH3		0 ~ 255	188	
28	VXT_TH4		0 ~ 255	229	
105	CXD3540_CSC				
0	CSC_XH		0 ~ 1	0	
1	CSC_ON		0 ~ 1	1	
2	CSC_R_GP1		0 ~ 511	324	
3	CSC_R_GP2		0 ~ 511	305	
4	CSC_R_GP3		0 ~ 511	282	
5	CSC_R_GP4		0 ~ 511	259	
6	CSC_R_GP5		0 ~ 511	219	
7	CSC_R_GP6		0 ~ 511	198	
8	CSC_R_GP7		0 ~ 511	172	
9	CSC_R_GP8		0 ~ 511	141	
10	CSC_G_GP1		0 ~ 511	331	
11	CSC_G_GP2		0 ~ 511	309	
12	CSC_G_GP3		0 ~ 511	287	
13	CSC_G_GP4		0 ~ 511	265	
14	CSC_G_GP5		0 ~ 511	231	
15	CSC_G_GP6		0 ~ 511	213	
16	CSC_G_GP7		0 ~ 511	193	
17	CSC_G_GP8		0 ~ 511	166	
18	CSC_B_GP1		0 ~ 511	346	
19	CSC_B_GP2		0 ~ 511	316	
20	CSC_B_GP3		0 ~ 511	290	
21	CSC_B_GP4		0 ~ 511	268	
22	CSC_B_GP5		0 ~ 511	231	
23	CSC_B_GP6		0 ~ 511	209	
24	CSC_B_GP7		0 ~ 511	184	
25	CSC_B_GP8		0 ~ 511	161	
106	CXD3540_SHAD				
0	SHAD_GSEL		0 ~ 3	1	
1	SHAD_R_CALC		0 ~ 1	1	
2	SHAD_G_CALC		0 ~ 1	1	
3	SHAD_B_CALC		0 ~ 1	1	
4	SHAD_ON		0 ~ 1	0	
5	SHAD_R_DAT1		0 ~ 255	37	
6	SHAD_R_DAT2		0 ~ 255	18	
7	SHAD_R_DAT3		0 ~ 255	12	
8	SHAD_G_DAT1		0 ~ 255	37	
9	SHAD_G_DAT2		0 ~ 255	18	
10	SHAD_G_DAT3		0 ~ 255	12	
11	SHAD_B_DAT1		0 ~ 255	0	
12	SHAD_B_DAT2		0 ~ 255	18	
13	SHAD_B_DAT3		0 ~ 255	12	
14	SHAD_COEF		0 ~ 4095	1365	

Electrical Adjustment

Grp / No.	Item	Function	Range	Initial	Note
107	CXD3540_VS				
0	VS_GSEL		0 ~ 3	0	
1	VS_R_RGT		0 ~ 1	1	
2	VS_G_RGT		0 ~ 1	0	
3	VS_B_RGT		0 ~ 1	1	
4	VS_CYCLE		0 ~ 1	0	
5	VS_ON		0 ~ 1	0	
6	VS_GDAT1		0 ~ 255	0	
7	VS_DAT		0 ~ 255	0	
8	VS_GDAT3		0 ~ 255	0	
9	VS_GDAT2		0 ~ 255	0	
108	CXD3540_DSDDPOST1				
0	HXT_TH4_ON		0 ~ 1	0	
1	HXT_TH3_ON		0 ~ 1	0	
2	HXT_TH2_ON		0 ~ 1	0	
3	HXT_TH1_ON		0 ~ 1	0	
4	HXT_ON		0 ~ 1	0	
5	HXT_RCALC		0 ~ 1	0	
6	HXT_GCALC		0 ~ 1	0	
7	HXT_BCALC		0 ~ 1	0	
8	HXT_GSEL		0 ~ 1	0	
9	HXT_RDAT1		0 ~ 255	0	
10	HXT_RDAT2		0 ~ 255	0	
11	HXT_RDAT3		0 ~ 255	0	
12	HXT_GDAT1		0 ~ 255	0	
13	HXT_GDAT2		0 ~ 255	0	
14	HXT_GDAT3		0 ~ 255	0	
15	HXT_BDAT1		0 ~ 255	0	
16	HXT_BDAT2		0 ~ 255	0	
17	HXT_BDAT3		0 ~ 255	0	
18	HXT_TH1		0 ~ 255	0	
19	HXT_TH2		0 ~ 255	0	
20	HXT_TH3		0 ~ 255	0	
21	HXT_TH4		0 ~ 255	0	
22	SEL_MODE2		0 ~ 7	0	
200	Option				
0	Logo Display Prohibition	0:Menu 1:Forced	0 - 1	0	
1	RS232C Baudrate	0: 19200bps 1: 9600bps	0 - 1	0	
3	Shipping Set	Shipping set when the value is set to 10	0 - 20	0	
4	CABLE SW	Long Cable 0: Disable 1: Enable	0 - 1	0	
5	PW Debug Command Enable	0: Disable (Sanyo Serial Command Enable) 1: Enable (PW Debug Mode)	0 - 1	0	
6	Device Refresh Disable	0: Enable 1: Disable	0 - 1	0	
8	PJ-NET Hung up check	0: Enable 1: Disable	0 - 1	0	
20	Projector Time Reset	Reset when the value to set to 10	0 - 10	0	
21	Lamp Warning Time (NORMAL)		1-16	4	
22	Lamp Warning Time (ECO)		1-16	6	
23	Lamp Warning Time (HIGH)	not supported	1-16		
50	Lamp Replacement Display	1:On 0:Off	0 - 1	1	
51	Filter Warning Display	1:On 0:Off	0 - 1	1	
52	Lamp Counter Reset Times	Read only	0 - 255	0	
53	Filter Counter Reset Times	Read only	0 - 255	0	
54	Factory Default Execute Times	Read only	0 - 255	0	
55	Motor Operation Stop	0: Enable 1: Disable	0 - 1	0	
58	Lamp Go Out	Lamp goes out	0 - 1	0	
70	ADC Device Select for Analog PC	0 = ISL51002, 1 = PW392 AFE	0 - 1	0	
71	ADC Device Select for Component	0 = ISL51002, 1 = PW392 AFE	0 - 1	0	
80	Destination	Language Set at Shipping 0:English 1:Japanese	0 - 1	0	
100	Disable Auto Picture Control	0 : Normal operation 1 : Auto Picture Control Off	0-1	Initial: 1 Shipping 0	
201	Option (Signal) Not Used				
0	FrameLock Option	Frame Lock Setting 0: Normal(Auto) 1: OFF	0 - 1	0	
1	Dither Enable	0: Disable 1: Enable	0 - 1	0	
204	Simulation mode				
0	PW392C Enable	0: Off, 1: On	0 - 1	0	
1	PW610 Enable	0: Off, 1: On	0 - 1	0	

Electrical Adjustment

Grp / No.	Item	Function	Range	Initial	Note
205	Spread Spectrum				
0			0 - 1	1	
1			0 - 300	200	
2			1 - 500	150	
210	Lamp Control				
0	Dimmer SW	0:Auto 1:Manual	0 - 1	0	
1	Manual Control	Lamp Power Manual Control (DIMMER_CTRL_LEVEL 0(Dark)-15(Bright))	0 - 15	0	
2	DIMMER_CTRL_LEVEL1	Y Level1 Data for Dimmer	0 - 255	7	
3	DIMMER_CTRL_LEVEL2	Y Level2 Data for Dimmer	0 - 255	14	
4	DIMMER_CTRL_LEVEL3	Y Level3 Data for Dimmer	0 - 255	21	
5	DIMMER_CTRL_LEVEL4	Y Level4 Data for Dimmer	0 - 255	28	
6	DIMMER_CTRL_LEVEL5	Y Level5 Data for Dimmer	0 - 255	35	
7	DIMMER_CTRL_LEVEL6	Y Level6 Data for Dimmer	0 - 255	42	
8	DIMMER_CTRL_LEVEL7	Y Level7 Data for Dimmer	0 - 255	49	
9	DIMMER_CTRL_LEVEL8	Y Level8 Data for Dimmer	0 - 255	56	
10	DIMMER_CTRL_LEVEL9	Y Level9 Data for Dimmer	0 - 255	63	
11	DIMMER_CTRL_LEVEL10	Y Level10 Data for Dimmer	0 - 255	70	
12	DIMMER_CTRL_LEVEL11	Y Level11 Data for Dimmer	0 - 255	77	
13	DIMMER_CTRL_LEVEL12	Y Level12 Data for Dimmer	0 - 255	84	
14	DIMMER_CTRL_LEVEL13	Y Level13 Data for Dimmer	0 - 255	91	
15	DIMMER_CTRL_LEVEL14	Y Level14 Data for Dimmer	0 - 255	98	
16	DIMMER_CTRL_LEVEL15	Y Level15 Data for Dimmer	0 - 255	105	
17	DIMMER_AVERAGE_POINT	Y Average Point	1 - 16	4	
18	DIMMER_AVERAGE_DATA	Y Average Data (Read only)	-	-	
19	DIMMER_LEVEL_AUTO	Current Y Level (Read only)	-	-	
20	DIMMER_LEVEL_NORMAL	Dim Level at Normal	0 - 15	15	
21	DIMMER_LEVEL_ECO	Dim Level at Eco	0 - 15	0	
23	VOLTAGE_LEVEL	Lamp Voltage (Read only)	-	-	
220	Projector Error Log				
0	Warning_Log_1	Latest Error log	0 - 32767	0	
:	:	:	:	:	
49	Warning_Log_50	50th Error log	0 - 32767	0	
50	Warning_Log Reset	Log is cleared when the value is set to 10.	0 ~ 10	0	
235	Shutter				
0	PRE_MOTION	Shutter Warm - up Operation (0: Yes, 1: No)	0 - 1	Initial: 1 / Shipping: 0	
1	CMP_TRM	Chattering Detecting Term	0 - 32767	7000	
2	OUT_DLY_TRM	Output Term	0 - 32767	15000	
3	CMP_CHK_CNT	Count of Information Sync	0 - 15	10	
4	OPEN_DLY	Open Output Delay	0 - 63	0	
5	CLOSE_DLY	Close Output Delay	0 - 63	0	
6	Position Check Time	Position Check Time	1 - 255	50	
7	Stop Mode	Shutter Stop Condition 0: Free, 1: Brake	0 - 1	0	
240	Flow Calibration				
0	Flow Calibration Exe	Flow Sensor Offset Calibration Start calibration when the value is set to 1.	0 - 1	0	* Wind sensor calibration.
1	Flow Calibration Error Log	Log of Calibration Error (Read only) 255: Not Calibration 0: No Error 10: 1st Calibration Not Stable Airflow 11: 1st Calibration Out of Range 20: 2nd Not Stable Airflow 21: 2nd Out of Range 100: 10th Calibration Not Stable Airflow 101: 10th Calibration Out of Range	-	255	
2	Clog Check Enable	Filter Clogged Detection by Flow Sensor (0: Disable, 1: Enable)	0 - 1	Initial: 0 / Shipping: 1	
241	Flow Ideal Data (Value will be set after calibration)				
0	Flow Ideal Data 1	Flow Sensor Theory Value No.1 Corresponding to Fan Volt No.1	0 - 1023	335	
1	Flow Ideal Data 2	Flow Sensor Theory Value No.2 Corresponding to Fan Volt No.2	0 - 1023	385	
2	Flow Ideal Data 3	Flow Sensor Theory Value No.3 Corresponding to Fan Volt No.3	0 - 1023	440	
3	Flow Ideal Data 4	Flow Sensor Theory Value No.4 Corresponding to Fan Volt No.4	0 - 1023	480	
4	Flow Ideal Data 5	Flow Sensor Theory Value No.5 Corresponding to Fan Volt No.5	0 - 1023	490	
5	Flow Ideal Data 6	Flow Sensor Theory Value No.6 Corresponding to Fan Volt No.6	0 - 1023	1023	

Electrical Adjustment

Grp / No.	Item	Function	Range	Initial	Note
6	Flow Ideal Data 7	Flow Sensor Theory Value No.7 Corresponding to Fan Volt No.7	0 - 1023	1023	
7	Flow Ideal Data 8	Flow Sensor Theory Value No.8 Corresponding to Fan Volt No.8	0 - 1023	1023	
242	Flow Calib. Fan Volt	(Not Memorized)			
0	Flow Calib Fan Volt 1	Flow Sensor Calibration Fan Voltage No.1 [x10 V]	0 - 255	50	
1	Flow Calib Fan Volt 2	Flow Sensor Calibration Fan Voltage No.2 [x10 V]	0 - 255	70	
2	Flow Calib Fan Volt 3	Flow Sensor Calibration Fan Voltage No.3 [x10 V]	0 - 255	95	
3	Flow Calib Fan Volt 4	Flow Sensor Calibration Fan Voltage No.4 [x10 V]	0 - 255	120	
4	Flow Calib Fan Volt 5	Flow Sensor Calibration Fan Voltage No.5 [x10 V]	0 - 255	135	
5	Flow Calib Fan Volt 6	Flow Sensor Calibration Fan Voltage No.6 [x10 V]	0 - 255	255	
6	Flow Calib Fan Volt 7	Flow Sensor Calibration Fan Voltage No.7 [x10 V]	0 - 255	255	
7	Flow Calib Fan Volt 8	Flow Sensor Calibration Fan Voltage No.8 [x10 V]	0 - 255	255	
243	Flow Calib Effective Difference	(Not Memorized)			
0	Flow Calib Effective Diff 1	Flow Sensor Calibration Range Diff No.1 [ADC]	0 - 1023	70	
1	Flow Calib Effective Diff 2	Flow Sensor Calibration Range Diff No.2 [ADC]	0 - 1023	100	
2	Flow Calib Effective Diff 3	Flow Sensor Calibration Range Diff No.3 [ADC]	0 - 1023	120	
3	Flow Calib Effective Diff 4	Flow Sensor Calibration Range Diff No.4 [ADC]	0 - 1023	140	
4	Flow Calib Effective Diff 5	Flow Sensor Calibration Range Diff No.5 [ADC]	0 - 1023	150	
5	Flow Calib Effective Diff 6	Flow Sensor Calibration Range Diff No.6 [ADC]	0 - 1023	1023	
6	Flow Calib Effective Diff 7	Flow Sensor Calibration Range Diff No.7 [ADC]	0 - 1023	1023	
7	Flow Calib Effective Diff 8	Flow Sensor Calibration Range Diff No.8 [ADC]	0 - 1023	1023	
244	Flow Clog Threshold	(Not Memorized)			
0	Flow Clog Threshold 1	Flow Sensor Clogged Threshold No.1[ADC]	0 - 1023	55	
1	Flow Clog Threshold 2	Flow Sensor Clogged Threshold No.2[ADC]	0 - 1023	80	
2	Flow Clog Threshold 3	Flow Sensor Clogged Threshold No.3[ADC]	0 - 1023	95	
3	Flow Clog Threshold 4	Flow Sensor Clogged Threshold No.4[ADC]	0 - 1023	110	
4	Flow Clog Threshold 5	Flow Sensor Clogged Threshold No.5[ADC]	0 - 1023	115	
5	Flow Clog Threshold 6	Flow Sensor Clogged Threshold No.6[ADC]	0 - 1023	1023	
6	Flow Clog Threshold 7	Flow Sensor Clogged Threshold No.7[ADC]	0 - 1023	1023	
7	Flow Clog Threshold 8	Flow Sensor Clogged Threshold No.8[ADC]	0 - 1023	1023	
245	Filter Roll				
0	Take Up Bend	Remove Filter Flexure Starts when the Value is set to 1.	0 - 1	0	
1	Take Up Times	Remaining Times of Filter Scroll (Read only)	-	-	
2	Take Up Time Reset	Filter Scroll Times Reset Resets Remaining Scroll Times when the Value is set to 10.	0 - 10	0	
3	Scroll Counter Reset Time	Scroll Counter Reset Times (Read only)	0 - 255	-	
4	Scroll Information Cartridge No		0 - 2	0	
246	Flow Clog Monitor	(Read only)			
0	Real Flow Data	Real Flow Data [ADC] (Read only)	0 - 1023	-	
1	Ideal Flow Data	Theory Flow Data (Read only)	0 - 1023	-	
2	Flow Difference Data	Flow Difference Data [ADC] (Read only)	0 - 1023	-	
3	Clog Detect Flow Difference Data	Difference Data to judge the Filter Clogged [ADC] (Read only)	0 - 1023	-	
4	Warn Detect Flow Difference Data	Difference Data to judge the Filter Clogged Warning [ADC] (Read only)	0 - 1023	-	
5	Press Add Data	Add Data by Air Pressure (Read only)	0 - 1023	-	
6	Filter Scroll Timer	Timer for Filter Scroll [hour] (Read only)	0 - 32767	-	
247	Filter Scroll Time	(Read only)			
0	Filter 1st Cartridge Scroll Time 1		0 - 32767	9999	
1	Filter 1st Cartridge Scroll Time 2		0 - 32767	9999	
2	Filter 1st Cartridge Scroll Time 3		0 - 32767	9999	
3	Filter 1st Cartridge Scroll Time 4		0 - 32767	9999	
4	Filter 1st Cartridge Scroll Time 5		0 - 32767	9999	
5	Filter 1st Cartridge Scroll Time 6	1st Filter Cartridge Used time at N times Scrolling [hour] (N:1-10)	0 - 32767	9999	
6	Filter 1st Cartridge Scroll Time 7		0 - 32767	9999	
7	Filter 1st Cartridge Scroll Time 8		0 - 32767	9999	
8	Filter 1st Cartridge Scroll Time 9		0 - 32767	9999	
9	Filter 1st Cartridge Scroll Time 10		0 - 32767	9999	

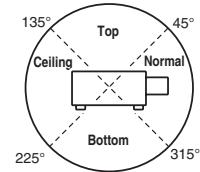
Electrical Adjustment

Grp / No.	Item	Function	Range	Initial	Note
10	Filter 2nd Cartridge Scroll Time 1		0 - 32767	9999	
11	Filter 2nd Cartridge Scroll Time 2		0 - 32767	9999	
12	Filter 2nd Cartridge Scroll Time 3		0 - 32767	9999	
13	Filter 2nd Cartridge Scroll Time 4		0 - 32767	9999	
14	Filter 2nd Cartridge Scroll Time 5	2nd Filter Cartridge Used time at N times Scrolling [hour] (N:1-10)	0 - 32767	9999	
15	Filter 2nd Cartridge Scroll Time 6		0 - 32767	9999	
16	Filter 2nd Cartridge Scroll Time 7		0 - 32767	9999	
17	Filter 2nd Cartridge Scroll Time 8		0 - 32767	9999	
18	Filter 2nd Cartridge Scroll Time 9		0 - 32767	9999	
19	Filter 2nd Cartridge Scroll Time 10		0 - 32767	9999	
20	Filter 3rd Cartridge Scroll Time 1		0 - 32767	9999	
21	Filter 3rd Cartridge Scroll Time 2		0 - 32767	9999	
22	Filter 3rd Cartridge Scroll Time 3		0 - 32767	9999	
23	Filter 3rd Cartridge Scroll Time 4		0 - 32767	9999	
24	Filter 3rd Cartridge Scroll Time 5	3rd Filter Cartridge Used time at N times Scrolling [hour] (N:1-10)	0 - 32767	9999	
25	Filter 3rd Cartridge Scroll Time 6		0 - 32767	9999	
26	Filter 3rd Cartridge Scroll Time 7		0 - 32767	9999	
27	Filter 3rd Cartridge Scroll Time 8		0 - 32767	9999	
28	Filter 3rd Cartridge Scroll Time 9		0 - 32767	9999	
29	Filter 3rd Cartridge Scroll Time 10		0 - 32767	9999	
248	Filter Scroll Factor	(Read only)			
0	Filter 1st Cartridge Scroll Factor 1		0 - 255	255	
1	Filter 1st Cartridge Scroll Factor 2		0 - 255	255	
2	Filter 1st Cartridge Scroll Factor 3		0 - 255	255	
3	Filter 1st Cartridge Scroll Factor 4	1st Filter Cartridge Scrolling Factor at N times Scrolling (N:1-10) 0: Manual Scrolling with OSD Menu 1: Auto Scrolling detecting by Filter Clogged 2: Auto Scrolling detecting by specified maximum used time per a sheet	0 - 255	255	
4	Filter 1st Cartridge Scroll Factor 5		0 - 255	255	
5	Filter 1st Cartridge Scroll Factor 6		0 - 255	255	
6	Filter 1st Cartridge Scroll Factor 7		0 - 255	255	
7	Filter 1st Cartridge Scroll Factor 8		0 - 255	255	
8	Filter 1st Cartridge Scroll Factor 9		0 - 255	255	
9	Filter 1st Cartridge Scroll Factor 10		0 - 255	255	
10	Filter 2nd Cartridge Scroll Factor 1		0 - 255	255	
11	Filter 2nd Cartridge Scroll Factor 2		0 - 255	255	
12	Filter 2nd Cartridge Scroll Factor 3		0 - 255	255	
13	Filter 2nd Cartridge Scroll Factor 4	2nd Filter Cartridge Scrolling Factor at N times Scrolling (N:1-10) 0: Manual Scrolling with OSD Menu 1: Auto Scrolling detecting by Filter Clogged 2: Auto Scrolling detecting by specified maximum used time per a sheet	0 - 255	255	
14	Filter 2nd Cartridge Scroll Factor 5		0 - 255	255	
15	Filter 2nd Cartridge Scroll Factor 6		0 - 255	255	
16	Filter 2nd Cartridge Scroll Factor 7		0 - 255	255	
17	Filter 2nd Cartridge Scroll Factor 8		0 - 255	255	
18	Filter 2nd Cartridge Scroll Factor 9		0 - 255	255	
19	Filter 2nd Cartridge Scroll Factor 10		0 - 255	255	
20	Filter 3rd Cartridge Scroll Factor 1		0 - 255	255	
21	Filter 3rd Cartridge Scroll Factor 2		0 - 255	255	
22	Filter 3rd Cartridge Scroll Factor 3		0 - 255	255	
23	Filter 3rd Cartridge Scroll Factor 4	3rd Filter Cartridge Scrolling Factor at N times Scrolling (N:1-10) 0: Manual Scrolling with OSD Menu 1: Auto Scrolling detecting by Filter Clogged 2: Auto Scrolling detecting by specified maximum used time per a sheet	0 - 255	255	
24	Filter 3rd Cartridge Scroll Factor 5		0 - 255	255	
25	Filter 3rd Cartridge Scroll Factor 6		0 - 255	255	
26	Filter 3rd Cartridge Scroll Factor 7		0 - 255	255	
27	Filter 3rd Cartridge Scroll Factor 8		0 - 255	255	
28	Filter 3rd Cartridge Scroll Factor 9		0 - 255	255	
29	Filter 3rd Cartridge Scroll Factor 10		0 - 255	255	
250	Fan Voltage Adjustment				
0	Fan 1 Min Adjust (DAC)		0-255	50	* Fan voltage adj.
1	Fan 1 Max Adjust (DAC)		0-255	220	* Fan voltage adj.
2	Fan 2 Min Adjust (DAC)		0-255	50	* Fan voltage adj.
3	Fan 2 Max Adjust (DAC)		0-255	220	* Fan voltage adj.
4	Fan 3,4 Min Adjust (DAC)		0-255	50	* Fan voltage adj.
5	Fan 3,4 Max Adjust (DAC)		0-255	220	* Fan voltage adj.
6	Fan 5 Min Adjust (DAC)	DAC Output for Fan Voltage adj. Adjust Tolerance between DAC and Fan Volt. *Lamp Mode: Eco	0-255	50	* Fan voltage adj.
7	Fan 5 Max Adjust (DAC)		0-255	220	* Fan voltage adj.
8	Fan 6 Min Adjust (DAC)		0-255	50	* Fan voltage adj.
9	Fan 6 Max Adjust (DAC)		0-255	220	* Fan voltage adj.
10	Fan 7 Min Adjust (DAC)		0-255	50	* Fan voltage adj.
11	Fan 7 Max Adjust (DAC)		0-255	220	* Fan voltage adj.
12	Fan 8 Min Adjust (DAC)		0-255	50	* Fan voltage adj.
13	Fan 8 Max Adjust (DAC)		0-255	220	* Fan voltage adj.

Electrical Adjustment

Grp / No.	Item	Function	Range	Initial	Note
252	Fan Option				
1	Safety Switch	Safety Application use	0-6	0	
2	Fan Manual Switch	Fan Manual SW (0: Auto 1: Manual)	0-1	0	
3	Fan1 Manual Voltage		0-255	100	
4	Fan2 Manual Voltage		0-255	100	
5	Fan3,4 Manual Voltage		0-255	100	
6	Fan5 Manual Voltage	Manual Adjustment Mode (0.1V)	0-255	100	
7	Fan6 Manual Voltage	*Effective only when Manual SW is 1.	0-255	100	
8	Fan7 Manual Voltage		0-255	100	
9	Fan8 Manual Voltage		0-255	100	
10	Angle Data A	Angle Data A (Read only)	-	-	
11	Angle Data B	Angle Data B (Read only)	-	-	
12	Press Data	Air Pressure Data (Read only)	-	-	

253	Fan Temp Error Setting	(Memorized)		Normal	Ceiling	Top	Bottom
5	Temp A Warning (Normal)	Temp A (Room) to judge the Temp Error at Normal	30-100	47	47	47	47
6	Temp B Warning (Normal)	Temp B (Lamp) to judge the Temp Error at Normal	30-100	64	64	64	64
7	Temp C Warning (Normal)	Temp C (Panel) to judge the Temp Error at Normal	30-100	59	59	59	59
8	Temp B-A Warning (Normal)	Temp B - A (Filter Clogged) to judge the Temp Error at Normal	0-100	50	50	50	50
9	Temp C-A Warning (Normal)	Temp C - A (Filter Clogged) to judge the Temp Error at Normal	0-100	23	23	23	23
10	Temp A Warning (Eco)	Temp A (Room) to judge the Temp Error at Eco	30-100	47	47	47	47
11	Temp B Warning (Eco)	Temp B (Lamp) to judge the Temp Error at Eco	30-100	64	64	64	64
12	Temp C Warning (Eco)	Temp C (Panel) to judge the Temp Error at Eco	30-100	59	59	59	59
13	Temp B-A Warning (Eco)	Temp B - A (Filter Clogged) to judge the Temp Error at Eco	0-100	50	50	50	50
14	Temp C-A Warning (Eco)	Temp C - A (Filter Clogged) to judge the Temp Error at Eco	0-100	23	23	23	23
15	Temp A Warning Offset (Temp)		0-100		13		
16	Temp B Warning Offset (Temp)		0-100		13		
17	Temp C Warning Offset (Temp)	Temp Warning Offset (Temp)	0-100		13		
18	Temp B-A Warning Offset (Temp)		0-100		13		
19	Temp C-A Warning Offset (Temp)		0-100		13		
20	Temp A Warning Offset (Time)		0-40		3		
21	Temp B Warning Offset (Time)		0-40		3		
22	Temp C Warning Offset (Time)	Time Warning Offset (Time)	0-40		3		
23	Temp B-A Warning Offset (Time)		0-40		3		
24	Temp C-A Warning Offset (Time)		0-40		3		



254	Fan Control Range Setting	(Temp/Spinning)		Normal	Ceiling	Top	Bottom
16	Normal Fan Control Min Temp	Temp Sensor Control Start/End Temp St Normal	20-100	31	31	31	31
17	Normal Fan Control Max Temp		20-100	38	38	38	38
18	Normal Fan1 Min		0000-9990	120	120	120	120
19	Normal Fan1 Max		0000-9990	135	135	135	135
20	Normal Fan2 Min		0000-9990	80	80	80	80
21	Normal Fan2 Max		0000-9990	80	80	80	80
22	Normal Fan3,4 Min		0000-9990	70	70	70	70
23	Normal Fan3,4 Max		0000-9990	135	135	135	135
24	Normal Fan5 Min	Fan Spinning Set at Normal (Min/Max) (0.1V)	0000-9990	90	90	90	90
25	Normal Fan5 Max		0000-9990	135	135	135	135
26	Normal Fan6 Min		0000-9990	60	60	60	60
27	Normal Fan6 Max		0000-9990	135	135	135	135
28	Normal Fan7 Min		0000-9990	65	65	65	65
29	Normal Fan7 Max		0000-9990	135	135	135	135
30	Normal Fan8 Min		0000-9990	60	60	60	60
31	Normal Fan8 Max		0000-9990	135	135	135	135
32	Eco Fan Control Min Temp	Temp Sensor Control Start/End Temp St Eco	20-100	31	31	31	31
33	Eco Fan Control Max Temp		20-100	38	38	38	38

Electrical Adjustment

Grp / No.	Item	Function	Range	Initial	Note
34	Eco Fan1 Min		0000-9990	110	110
35	Eco Fan1 Max		0000-9990	135	135
36	Eco Fan2 Min		0000-9990	50	50
37	Eco Fan2 Max		0000-9990	50	50
38	Eco Fan3,4 Min		0000-9990	50	50
39	Eco Fan3,4 Max		0000-9990	135	135
40	Eco Fan5 Min	Fan Spinning Set at Eco (Min/Max) (0.1V)	0000-9990	60	60
41	Eco Fan5 Max		0000-9990	135	135
42	Eco Fan6 Min		0000-9990	50	50
43	Eco Fan6 Max		0000-9990	135	135
44	Eco Fan7 Min		0000-9990	50	50
45	Eco Fan7 Max		0000-9990	135	135
46	Eco Fan8 Min		0000-9990	50	50
47	Eco Fan8 Max		0000-9990	135	135
255	Fan Start/Cooling Setting				
0	Fan1 Initial Volt		0-255	70	
1	Fan2 Initial Volt		0-255	70	
2	Fan3,4 Initial Volt		0-255	70	
3	Fan5 Initial Volt	Fan Start Voltage (0.1V)	0-255	70	
4	Fan6 Initial Volt		0-255	70	
5	Fan7 Initial Volt		0-255	70	
6	Fan8 Initial Volt		0-255	70	
8	Cooling Time	Coolong Time Setting (x30 sec.) 1: 30 3: 90 15: 450	1-15	3	
10	Temp Error Cooling Time	Cooling Time Setting When the Temp Error occurs (x30 sec.) 1: 30 3: 90 15: 450	1-15	3	
11	OnStart Cooling Start Threshold		0-100	50	
12	After shutdown cooling	Cooling Operation after Shut Down (0: No, 1: Yes)	0-1	1	
256	Fan Lanp Voltage Down Setting				
0	Lamp Voltage	Current Lamp Voltage (0.1V) (Read only)	0-255	---	
1	Lamp Vol Threshold	Threshold Voltage (0.1V)	30-90	30	
2	Fan1 Speed Gain	Fan Speed Ad Gain (0.1V)	0-1500	0	
257	Fan Setting at Dimmer				
0	Dimmer Average Check Period	Dimmer Average Check Period (sec.) 0: 10, 1: 30, 2: 60, 3: 90.....10:300	0-10	1	
259	Fan Air Pressure Setting				
0	Press Source Range Low	Pressure Sensor Control Range (AD)	0-1024	618	
1	Press Source Range High		0-1024	854	
2	Press Fan Add Range High	Add Voltage (0.1V)	0 - 2000	0	
3	Press Fan Add Range Low		0 - 2000	65	
4	Temp C-A Upward High	Temp C-A Upward High	0 - 1000	22	
5	Temp C-A Upward Low	Temp C-A Upward Low	0 - 1000	20	
6	Temp C-A Downward High	Temp C-A Downward High	0 - 1000	11	
7	Temp C-A Downward Low	Temp C-A Downward Low	0 - 1000	7	
260	Auto Calibration (Common) * Auto calibration				
0	Execute Calibration	Execute Calibration when the Value is changed. (For PC White 100%)	0 - 1	0	
1	Loop Count	Max Times of Calibration	1 - 30	8	
2	Auto Status	Calibration Log (Read only) 0: Calibration End Correctly 1: On Adjusting 9: Calibration Error	0 / 1 / 9	0	
3	AutoWait	Waiting time	1 - 20	3	
4	CHECK - Tolerance	Tolerance of Offset	1 - 255	4	
5	Time out wait	Wait Time until Time out [sec.]	1 - 255	20	
261	Auto Calibration (RGB) PW392-AFE MDL <10bits>				
0	OFFSET AREA H START	Black Level Acq. Area H Start	0 - 1000	975	
1	OFFSET AREA V START	Black Level Acq. Area V Start	0 - 1000	500	
2	GAIN AREA H START	White Level Acq. Area H Start	0 - 1000	25	
3	GAIN AREA V START	White Level Acq. Area V Start	0 - 1000	500	
4	Image AREA H WIDTH	Black/White Level Area Width	0 - 4095	13	
5	Image AREA V HEIGHT	Black/White Level Area Height	0 - 4095	9	
6	OFFSET Target	Black Level Adj target	0 - 1023	20	
7	OFFSET Tolerance	Black Level Adj tolerance	1 - 1023	1	
8	GAIN Target	White Level Adj target	0 - 1023	867	

Electrical Adjustment

Grp / No.	Item	Function	Range	Initial	Note
9	GAIN Tolerance	White Level Adj tolerance	1 - 1023	1	
10	Image Level Tolerance	Acq. Image Level Adj Tolerance	1 - 255	2	
262	Auto Calibration (CVBS/SVIDEO)	PW392-AFE MDL <10bits>			
0	Y Image Area Start X	Y Image Area H Start	0 - 1000	20	
1	Y Image Area Start Y	Y Image Area V Start	0 - 1000	200	
6	Image Area H WIDTH	Image Level Acq. Width	0 - 4095	8	
7	Image Area V HEIGHT	Image Level Acq. Height	0 - 4095	9	
8	Y Target Level	Y Level Adj target	0 - 1023	808	
11	Gain Tolerance	Level Adj Tolerance	1 - 255	1	
12	Image Level Tolerance	Acq. Image Level Adj Tolerance	1 - 255	2	
264	Auto Calibration (YCbCr)	PW392-AFE MDL <10bits>			
0	Y-OFFSET AREA H START	Y - Offset Acq Area H Start	0 - 1000	925	
1	Y-OFFSET AREA V START	Y - Offset Acq Area V Start	0 - 1000	500	
2	CB - OFFSET AREA H START	CB - Offset Acq. Area H Start	0 - 1000	925	
3	CB - OFFSET AREA V START	CB - Offset Acq. Area V Start	0 - 1000	500	
4	CR - OFFSET AREA H START	CR - Offset Acq. Area H Start	0 - 1000	925	
5	CR - OFFSET AREA V START	CR - Offset Acq. Area V Start	0 - 1000	500	
6	Y - GAIN AREA H START	Y	0 - 1000	50	
7	Y - GAIN AREA V START		0 - 1000	500	
8	CB - GAIN AREA H START		0 - 1000	800	
9	CB - GAIN AREA V START		0 - 1000	500	
10	CR - GAIN AREA H START		0 - 1000	700	
11	CR - GAIN AREA V START		0 - 1000	500	
12	Image AREA H WIDTH	YCBCR Level Acq. Width	0 - 4095	13	
13	Image AREA V HEIGHT	YCBCR Level Acq. Height	0 - 4095	9	
14	Y - OFFSET TARGET		0 - 1023	4	
15	CB OFFSET TARGET		0 - 1023	512	
16	CR OFFSET TARGET		0 - 1023	512	
17	Y - GAIN TARGET		0 - 1023	808	
18	CB - GAIN TARGET		0 - 1023	892	
19	CR - GAIN TARGET		0 - 1023	892	
20	OFFSET Tolerance	OFFSET Adj Tolerance	1 - 255	1	
21	GAIN Tolerance	GAIN Adj Tolerance	1 - 255	1	
22	Image Level Tolerance	Acq. Image Level Adj Tolerance	1 - 255	2	
280	AutoPC Adjsut				
0	AutoPCAdjustEnable	Auto PC Operation with the un-supported signal in. 0: Enable 1: Disable	0 - 1	0	
1	Frequency Step	TotalDot Search Step	0-3	1	
2	Frequency Threshold	TotalDot Match	0 - 10	5	
3	Fine Phase	Phase after Total Dot Adj. 0: Fine Phase Execute 1: Fine Phase Not Execute	0 - 1	1	
4	BLKDET	Black Level Detect Area	0 - 7	1	
5	PHASEMSK	Phase Detect Filter 0: All Bits Enable, 1: Lower 1 bit Disable, 2: Lower 2 bit Disable, 3: Lower 3 bits Disable	0 - 3	0	
300	Closed Caption				
0	Caption Mode	Caption Mode Select 0: OFF 1: CC1 2: CC2 3: CC3 4: CC4	0-4	0	
1	Color Mode	Color Mode 0: Follow to transmit Data 1: Fixed	0-1	0	
500	Composite (NTSC)	Composite / S-Video			
1	Disp Dots		0 - 4095	668	
2	H Back Porch		0 - 4095	26	
3	V Back Porch		0 - 4095	18	
4	Disp Line		0 - 4095	458	
501	Composite (PAL)	Composite / S-Video			
1	Disp Dots		0 - 4095	656	
2	H Back Porch		0 - 4095	35	
3	V Back Porch		0 - 4095	22	
4	Disp Line		0 - 4095	535	
502	Composite (SECAM)	Composite / S-Video			
1	Disp Dots		0 - 4095	656	
2	H Back Porch		0 - 4095	35	
3	V Back Porch		0 - 4095	22	
4	Disp Line		0 - 4095	542	

Electrical Adjustment

Grp / No.	Item	Function	Range	Initial	Note
510	SCART(480i)				
0	Total Dots		0 - 4095	858	
1	Disp Dots		0 - 4095	672	
2	H Back Porch		0 - 4095	141	
3	V Back Porch		0 - 4095	43	
4	Disp Line		0 - 4095	459	
511	SCART (575i)				
0	Total Dots		0 - 4095	864	
1	Disp Dots		0 - 4095	656	
2	H Back Porch		0 - 4095	160	
3	V Back Porch		0 - 4095	61	
4	Disp Line		0 - 4095	535	
520	YCbCr (480i)				
0	Total Dots		0 - 4095	1560	
1	Disp Dots		0 - 4095	1228	
2	H Back Porch		0 - 4095	260	
3	V Back Porch		0 - 4095	45	
4	Disp Line		0 - 4095	455	
521	YCbCr (575i)				
0	Total Dots		0 - 4095	1888	
1	Disp Dots		0 - 4095	1400	
2	H Back Porch		0 - 4095	373	
3	V Back Porch		0 - 4095	61	
4	Disp Line		0 - 4095	532	
522	YCbCr (480P)				
0	Total Dots		0 - 4095	1712	
1	Disp Dots		0 - 4095	1385	
2	H Back Porch		0 - 4095	267	
3	V Back Porch		0 - 4095	45	
4	Disp Line		0 - 4095	460	
523	YCbCr (575P)				
0	Total Dots		0 - 4095	1856	
1	Disp Dots		0 - 4095	1428	
2	H Back Porch		0 - 4095	340	
3	V Back Porch		0 - 4095	55	
4	Disp Line		0 - 4095	550	
524	YCbCr (720P - 60)				
0	Total Dots		0 - 4095	1650	
1	Disp Dots		0 - 4095	1249	
2	H Back Porch		0 - 4095	313	
3	V Back Porch		0 - 4095	33	
4	Disp Line		0 - 4095	700	
525	YCbCr (720P - 50)				
0	Total Dots		0 - 4095	1980	
1	Disp Dots		0 - 4095	1220	
2	H Back Porch		0 - 4095	327	
3	V Back Porch		0 - 4095	35	
4	Disp Line		0 - 4095	701	
526	YCbCr (1080i - 60)				
0	Total Dots		0 - 4095	2200	
1	Disp Dots		0 - 4095	1874	
2	H Back Porch		0 - 4095	256	
3	V Back Porch		0 - 4095	50	
4	Disp Line		0 - 4095	1052	
527	YCbCr (1080i - 50)				
0	Total Dots		0 - 4095	2640	
1	Disp Dots		0 - 4095	1872	
2	H Back Porch		0 - 4095	257	
3	V Back Porch		0 - 4095	50	
4	Disp Line		0 - 4095	1052	

Electrical Adjustment

Grp / No.	Item	Function	Range	Initial	Note
528	YCbCr (1035i)				
0	Total Dots		0 - 4095	2200	
1	Disp Dots		0 - 4095	1874	
2	H Back Porch		0 - 4095	257	
3	V Back Porch		0 - 4095	87	
4	Disp Line		0 - 4095	1011	
540	RGB Video (480i)				
0	Total Dots		0 - 4095	1560	
1	Disp Dots		0 - 4095	1246	
2	H Back Porch		0 - 4095	286	
3	V Back Porch		0 - 4095	55	
4	Disp Line		0 - 4095	454	
541	RGB Video (575i)				
0	Total Dots		0 - 4095	1888	
1	Disp Dots		0 - 4095	1450	
2	H Back Porch		0 - 4095	391	
3	V Back Porch		0 - 4095	64	
4	Disp Line		0 - 4095	536	
542	RGB Video (480P)				
0	Total Dots		0 - 4095	1712	
1	Disp Dots		0 - 4095	1362	
2	H Back Porch		0 - 4095	277	
3	V Back Porch		0 - 4095	53	
4	Disp Line		0 - 4095	460	
543	RGB Video (575P)				
0	Total Dots		0 - 4095	1856	
1	Disp Dots		0 - 4095	1434	
2	H Back Porch		0 - 4095	332	
3	V Back Porch		0 - 4095	62	
4	Disp Line		0 - 4095	550	
544	RGB Video (720P - 60)				
0	Total Dots		0 - 4095	1848	
1	Disp Dots		0 - 4095	1400	
2	H Back Porch		0 - 4095	343	
3	V Back Porch		0 - 4095	34	
4	Disp Line		0 - 4095	702	
545	RGB Video (720P - 50)				
0	Total Dots		0 - 4095	2222	
1	Disp Dots		0 - 4095	1404	
2	H Back Porch		0 - 4095	336	
3	V Back Porch		0 - 4095	35	
4	Disp Line		0 - 4095	700	
546	RGB Video (1080i - 60)				
0	Total Dots		0 - 4095	2200	
1	Disp Dots		0 - 4095	1875	
2	H Back Porch		0 - 4095	250	
3	V Back Porch		0 - 4095	54	
4	Disp Line		0 - 4095	1052	
547	RGB Video (1080i - 50)				
0	Total Dots		0 - 4095	2640	
1	Disp Dots		0 - 4095	1870	
2	H Back Porch		0 - 4095	252	
3	V Back Porch		0 - 4095	54	
4	Disp Line		0 - 4095	1052	
548	RGB Video (1035i)				
0	Total Dots		0 - 4095	2200	
1	Disp Dots		0 - 4095	1873	
2	H Back Porch		0 - 4095	250	
3	V Back Porch		0 - 4095	90	
4	Disp Line		0 - 4095	1012	

Electrical Adjustment

Grp / No.	Item	Function	Range	Initial	Note
551	RGB Video (1080P - 30)				
0	Total Dots		0 - 4095	2200	
1	Disp Dots		0 - 4095	1874	
2	H Back Porch		0 - 4095	250	
3	V Back Porch		0 - 4095	55	
4	Disp Line		0 - 4095	1051	
552	RGB Video (1080P - 25)				
0	Total Dots		0 - 4095	2640	
1	Disp Dots		0 - 4095	1874	
2	H Back Porch		0 - 4095	250	
3	V Back Porch		0 - 4095	56	
4	Disp Line		0 - 4095	1051	
553	RGB Video (1080P - 24)				
0	Total Dots	(Read only)	0 - 4095	2750	
1	Disp Dots		0 - 4095	1874	
2	H Back Porch		0 - 4095	250	
3	V Back Porch		0 - 4095	56	
4	Disp Line		0 - 4095	1051	
555	RGB Video (1080PSF - 30)				
0	Total Dots	(Read only)	0 - 4095	2200	
1	Disp Dots		0 - 4095	1875	
2	H Back Porch		0 - 4095	249	
3	V Back Porch		0 - 4095	90	
4	Disp Line		0 - 4095	1013	
556	RGB Video (1080PSF - 25)				
0	Total Dots	(Read only)	0 - 4095	2640	
1	Disp Dots		0 - 4095	1875	
2	H Back Porch		0 - 4095	249	
3	V Back Porch		0 - 4095	90	
4	Disp Line		0 - 4095	1013	
557	RGB Video (1080PSF - 24)				
0	Total Dots	(Read only)	0 - 4095	2750	
1	Disp Dots		0 - 4095	1914	
2	H Back Porch		0 - 4095	233	
3	V Back Porch		0 - 4095	36	
4	Disp Line		0 - 4095	1084	
930	AutoGamma				* PC White balance
0	GAM_CALC_STATUS	Result of Auto Gamma Adjustment 0: Not Calculated, 1: Calculated, 9: On Calculating) Unit Digit: Result at Ye Device Auto 10th Digit: Result at Ye Device Off	0 - 99	0	
982	Auto Gamma Adjustment				* PC White balance
0	Ye Auto : PC Standard : LVL_USE	x0.01	1 - 999	100	
1	Ye Auto : PC Standard : W_SXY_0	x0.001	0 - 999	310	
2	Ye Auto : PC Standard : W_SXY_1	x0.001	0 - 999	335	
3	Ye Auto : PC Standard : B_SXY_0	x0.001	0 - 999	0	
4	Ye Auto : PC Standard : B_SXY_1	x0.001	0 - 999	0	
5	Ye Auto : PC Standard : LIMIT_CONTRAST		100 - 5000	5000	
6	Ye Auto : PC Standard : CAL_CONT	RESULT CONTRAST (Read only)			
7	Ye Auto : PC Standard : CONT_USE	Used Rate at Black Balance (x0.001)	100 - 5000	500	
8	Ye Auto : PC Real : LVL_USE	x0.01	1 - 999	85	
9	Ye Auto : PC Real : W_SXY_0	x0.001	0 - 999	315	
10	Ye Auto : PC Real : W_SXY_1	x0.001	0 - 999	340	
11	Ye Auto : PC Real : B_SXY_0	x0.001	0 - 999	315	
12	Ye Auto : PC Real : B_SXY_1	x0.001	0 - 999	340	
13	Ye Auto : PC Real : LIMIT_CONTRAST		100 - 5000	1000	
14	Ye Auto : PC Real : CAL_CONT	RESULT CONTRAST (Read only)			
15	Ye Auto : PC Real : CONT_USE	Used Rate at Black Balance (x0.001)	100 - 5000	500	

Electrical Adjustment

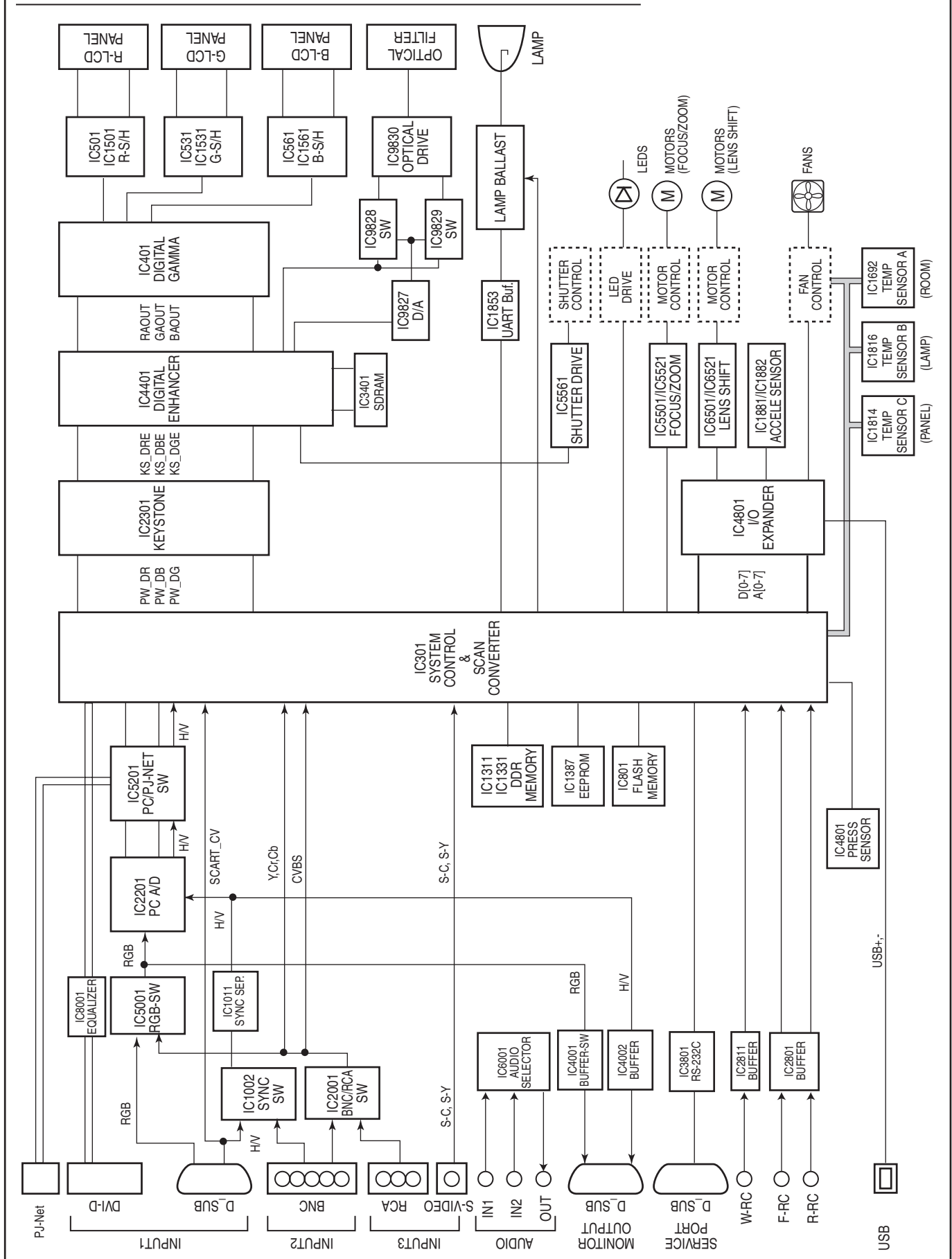
Grp / No.	Item	Function	Range	Initial	Note
16	Ye Auto : AV Standard : LVL_USE	x0.01	1 - 999	90	
17	Ye Auto : AV Standard : W_SXY_0	x0.001	0 - 999	310	
18	Ye Auto : AV Standard : W_SXY_1	x0.001	0 - 999	335	
19	Ye Auto : AV Standard : B_SXY_0	x0.001	0 - 999	310	
20	Ye Auto : AV Standard : B_SXY_1	x0.001	0 - 999	335	
21	Ye Auto : AV Standard : LIMIT_CONTRAST		100 - 5000	1500	
22	Ye Auto : AV Standard : CAL_CONT	RESULT CONTRAST (Read only)			
23	Ye Auto : AV Standard : CONT_USE	Used Rate at Black Balance (x0.001)	100 - 5000	500	
24	Ye Auto : AV Cinema : LVL_USE	x0.01	1 - 999	85	
25	Ye Auto : AV Cinema : W_SXY_0	x0.001	0 - 999	315	
26	Ye Auto : AV Cinema : W_SXY_1	x0.001	0 - 999	328	
27	Ye Auto : AV Cinema : B_SXY_0	x0.001	0 - 999	315	
28	Ye Auto : AV Cinema : B_SXY_1	x0.001	0 - 999	328	
29	Ye Auto : AV Cinema : LIMIT_CONTRAST		100 - 5000	1500	
30	Ye Auto : AV Cinema : CAL_CONT	RESULT CONTRAST (Read only)			
31	Ye Auto : AV Cinema : CONT_USE	Used Rate at Black Balance (x0.001)	100 - 5000	500	
32	Ye OFF : PC Standard : LVL_USE	x0.01	1 - 999	90	
33	Ye OFF : PC Standard : W_SXY_0	x0.001	0 - 999	290	
34	Ye OFF : PC Standard : W_SXY_1	x0.001	0 - 999	315	
35	Ye OFF : PC Standard : B_SXY_0	x0.001	0 - 999	0	
36	Ye OFF : PC Standard : B_SXY_1	x0.001	0 - 999	0	
37	Ye OFF : PC Standard : LIMIT_CONTRAST		100 - 5000	5000	
38	Ye OFF : PC Standard : CAL_CONT	RESULT CONTRAST (Read only)			
39	Ye OFF : PC Standard : CONT_USE	Used Rate at Black Balance (x0.001)	100 - 5000	500	
40	Ye OFF : PC Real : LVL_USE	x0.01	1 - 999	75	
41	Ye OFF : PC Real : W_SXY_0	x0.001	0 - 999	295	
42	Ye OFF : PC Real : W_SXY_1	x0.001	0 - 999	320	
43	Ye OFF : PC Real : B_SXY_0	x0.001	0 - 999	295	
44	Ye OFF : PC Real : B_SXY_1	x0.001	0 - 999	320	
45	Ye OFF : PC Real : LIMIT_CONTRAST		100 - 5000	900	
46	Ye OFF : PC Real : CAL_CONT	RESULT CONTRAST (Read only)			
47	Ye OFF : PC Real : CONT_USE	Used Rate at Black Balance (x0.001)	100 - 5000	500	
48	Ye OFF : AV Standard : LVL_USE	x0.01	1 - 999	80	
49	Ye OFF : AV Standard : W_SXY_0	x0.001	0 - 999	290	
50	Ye OFF : AV Standard : W_SXY_1	x0.001	0 - 999	315	
51	Ye OFF : AV Standard : B_SXY_0	x0.001	0 - 999	290	
52	Ye OFF : AV Standard : B_SXY_1	x0.001	0 - 999	315	
53	Ye OFF : AV Standard : LIMIT_CONTRAST		100 - 5000	1300	
54	Ye OFF : AV Standard : CAL_CONT	RESULT CONTRAST (Read only)			
55	Ye OFF : AV Standard : CONT_USE	Used Rate at Black Balance (x0.001)	100 - 5000	500	
56	Ye OFF : AV Cinema : LVL_USE	x0.01	1 - 999	75	
57	Ye OFF : AV Cinema : W_SXY_0	x0.001	0 - 999	313	
58	Ye OFF : AV Cinema : W_SXY_1	x0.001	0 - 999	329	
59	Ye OFF : AV Cinema : B_SXY_0	x0.001	0 - 999	313	
60	Ye OFF : AV Cinema : B_SXY_1	x0.001	0 - 999	329	
61	Ye OFF : AV Cinema : LIMIT_CONTRAST		100 - 5000	1300	
62	Ye OFF : AV Cinema : CAL_CONT	RESULT CONTRAST (Read only)			
63	Ye OFF : AV Cinema : CONT_USE	Used Rate at Black Balance (x0.001)	100 - 5000	500	
64	Auto Gamma CALC	Auto Gamma Adj Starts when the Value is set to 10.	0 - 10	0	* White balance adj.
65	Auto Gamma CALC MODE	Gamma Curve Algorithm Select	0 - 1	0	
983	DAC Adj Pamameter	DAC Adj Parameter Setting			
0	Green ColorA X	x0.001(0.000~1.000)	0 - 1000	323	
1	Green ColorA Y	x0.001(0.000~1.000)	0 - 1000	655	
2	Green ColorB X	x0.001(0.000~1.000)	0 - 1000	323	
3	Green ColorB Y	x0.001(0.000~1.000)	0 - 1000	655	
4	Calculated G Color X	x0.001(0.000~1.000) (Read only)	0 - 1000		

Electrical Adjustment

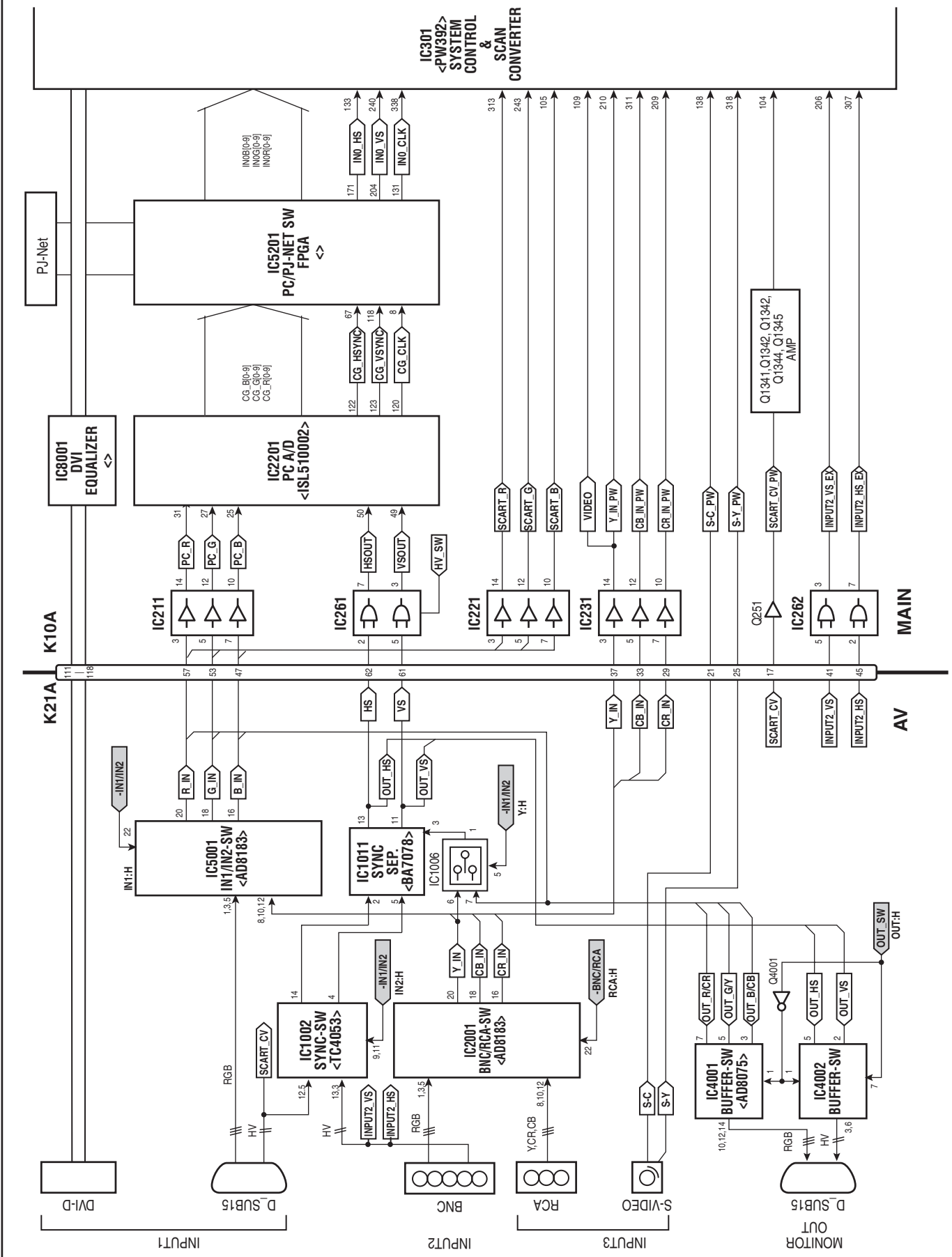
Grp / No.	Item	Function	Range	Initial	Note
5	Calculated H Color Y	x0.001(0.000-1.000) (Read only)	0 - 1000		
6	Calculated YE Value	(Read only)	0 - 255		
7	VT Limited SW	0: Transparent Limit, 1: Voltage Limit	0 - 1	0	
8	VTUsed Rate DAC		0 - 100	100	
9	CALC_STATUS	Calculated Result	0 - 9	0	
10	DAC CALC	DAC Adj Starts when the Value is set to 10.	0 - 10	1	

Chassis Description

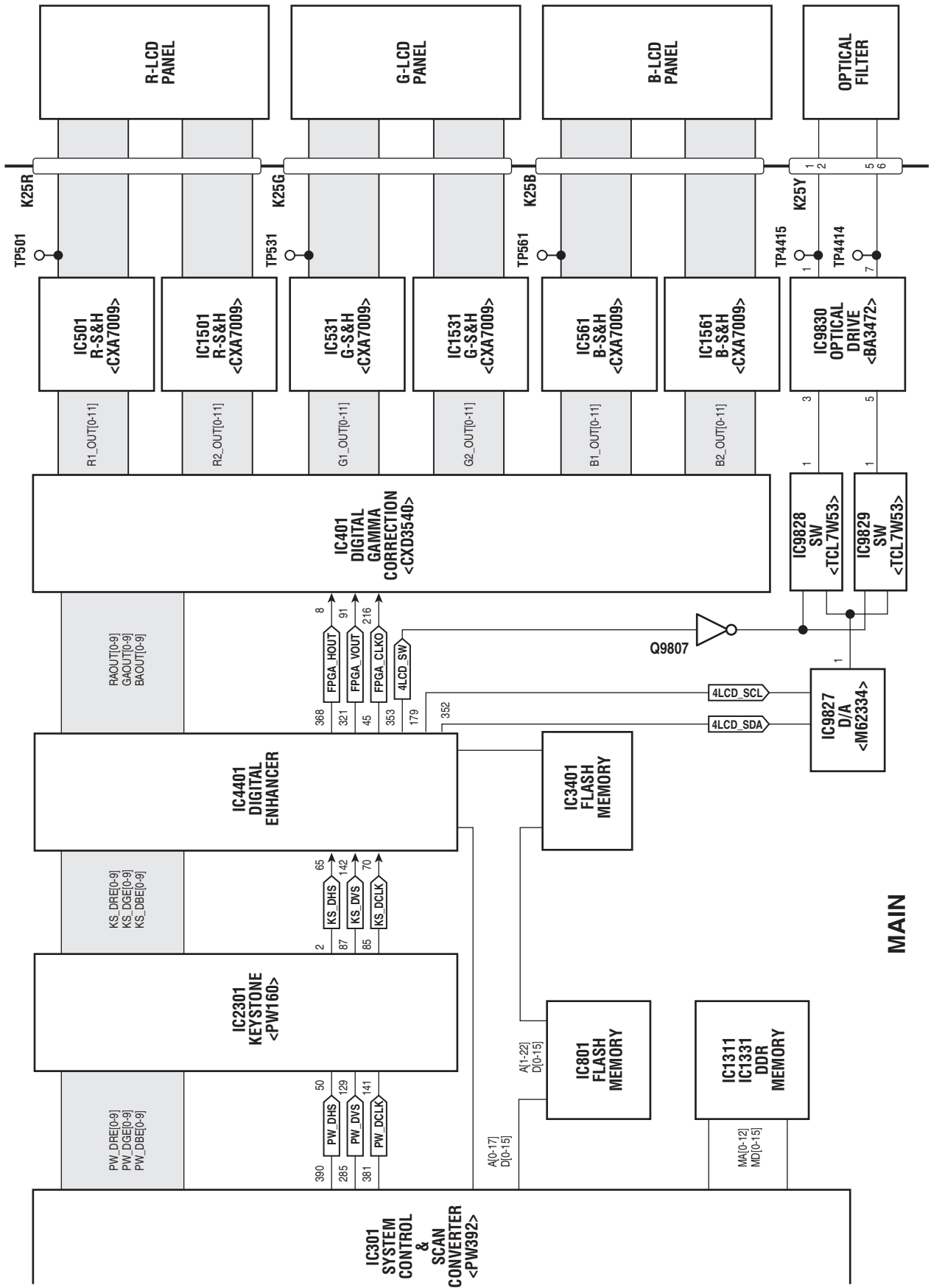
Chassis over view



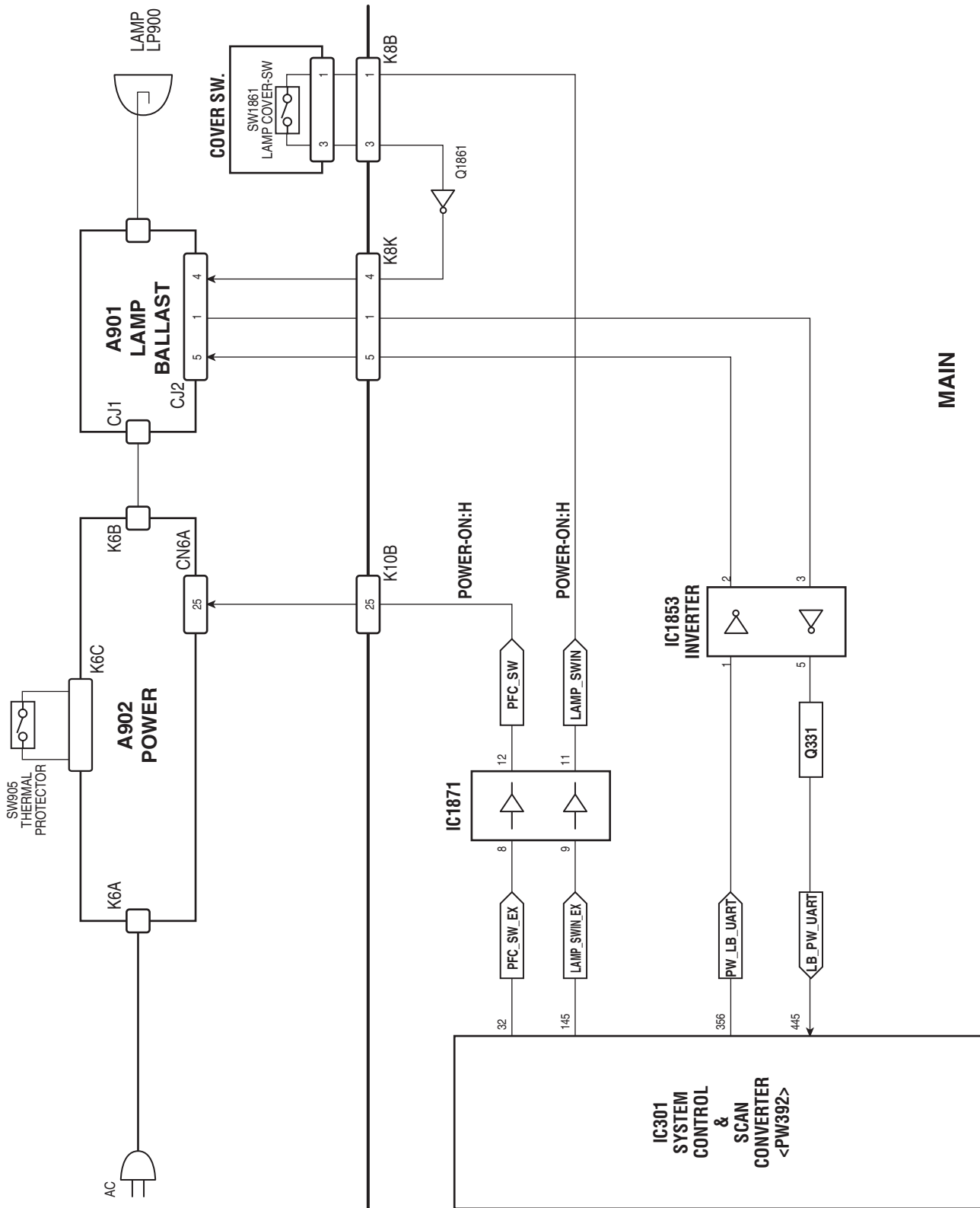
Input & signal processing stage



LCD drive stage

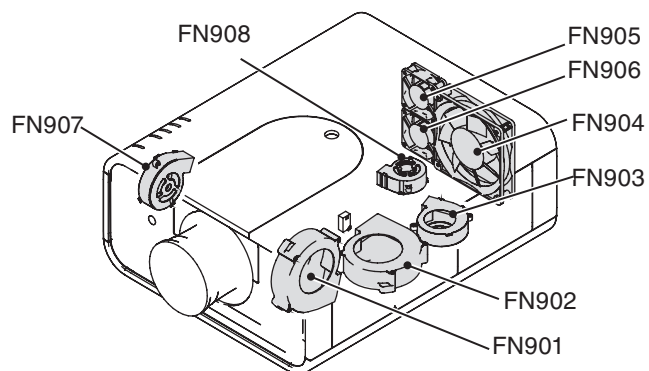
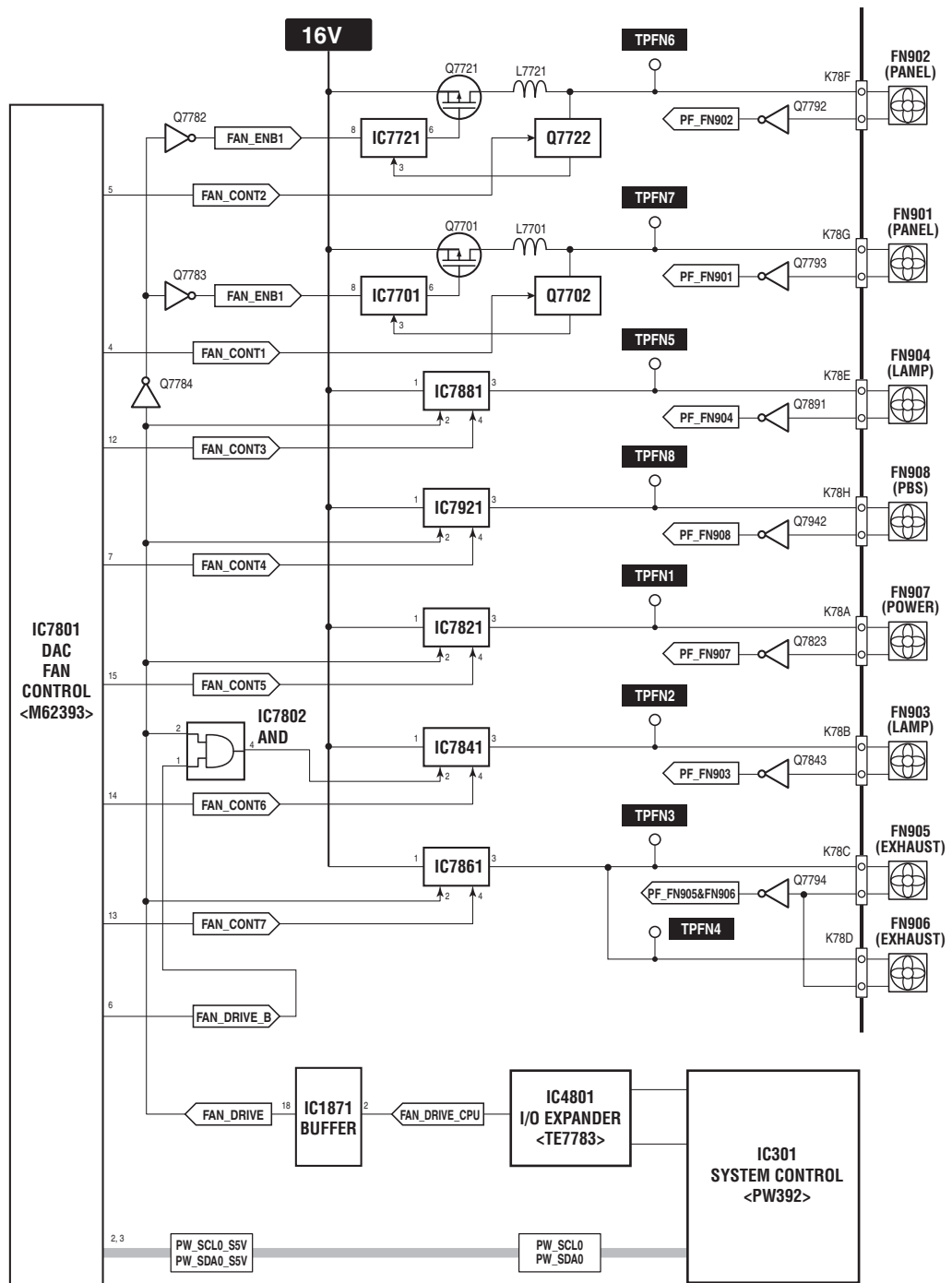


Lamp control stage

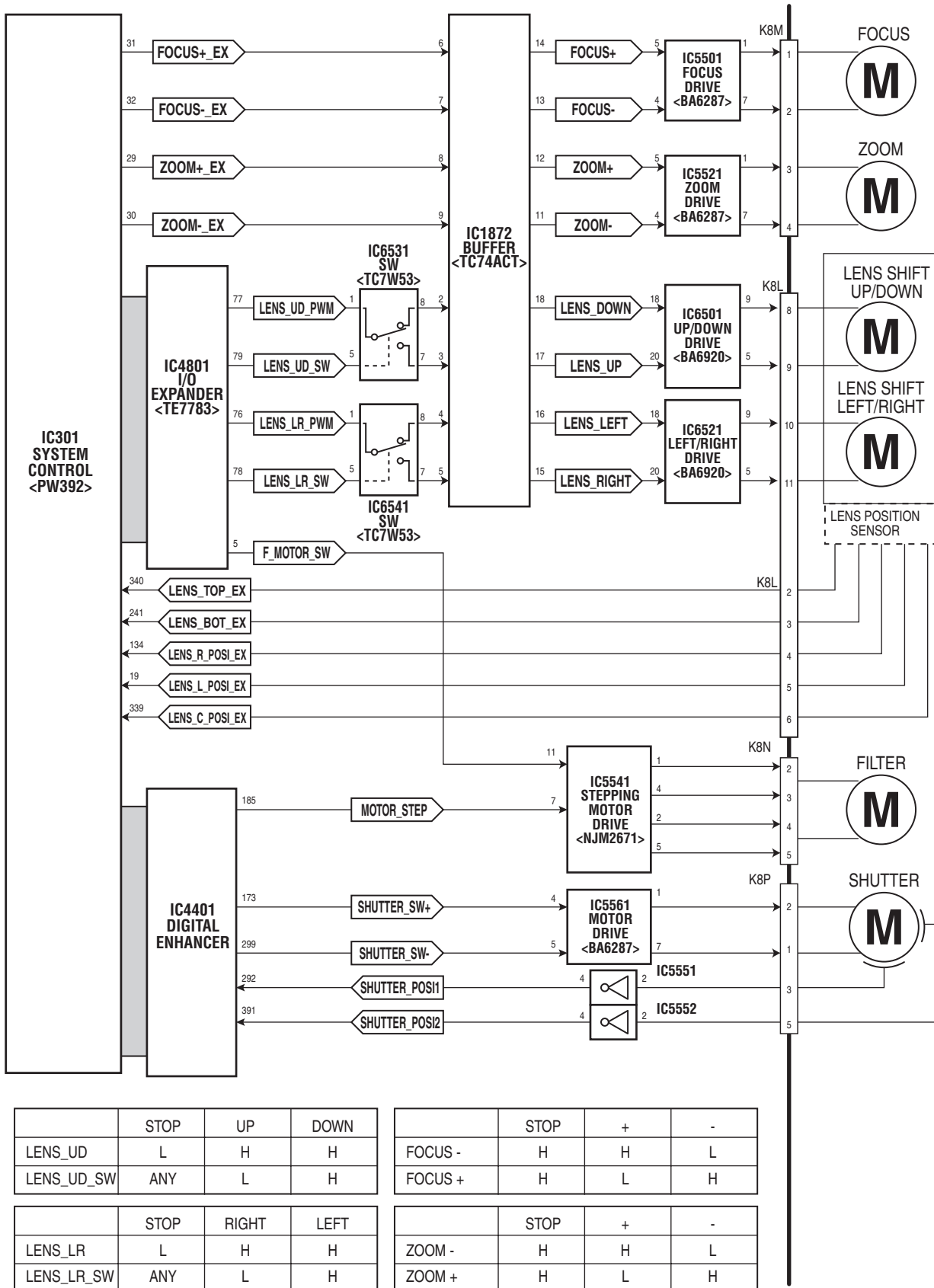


MAIN

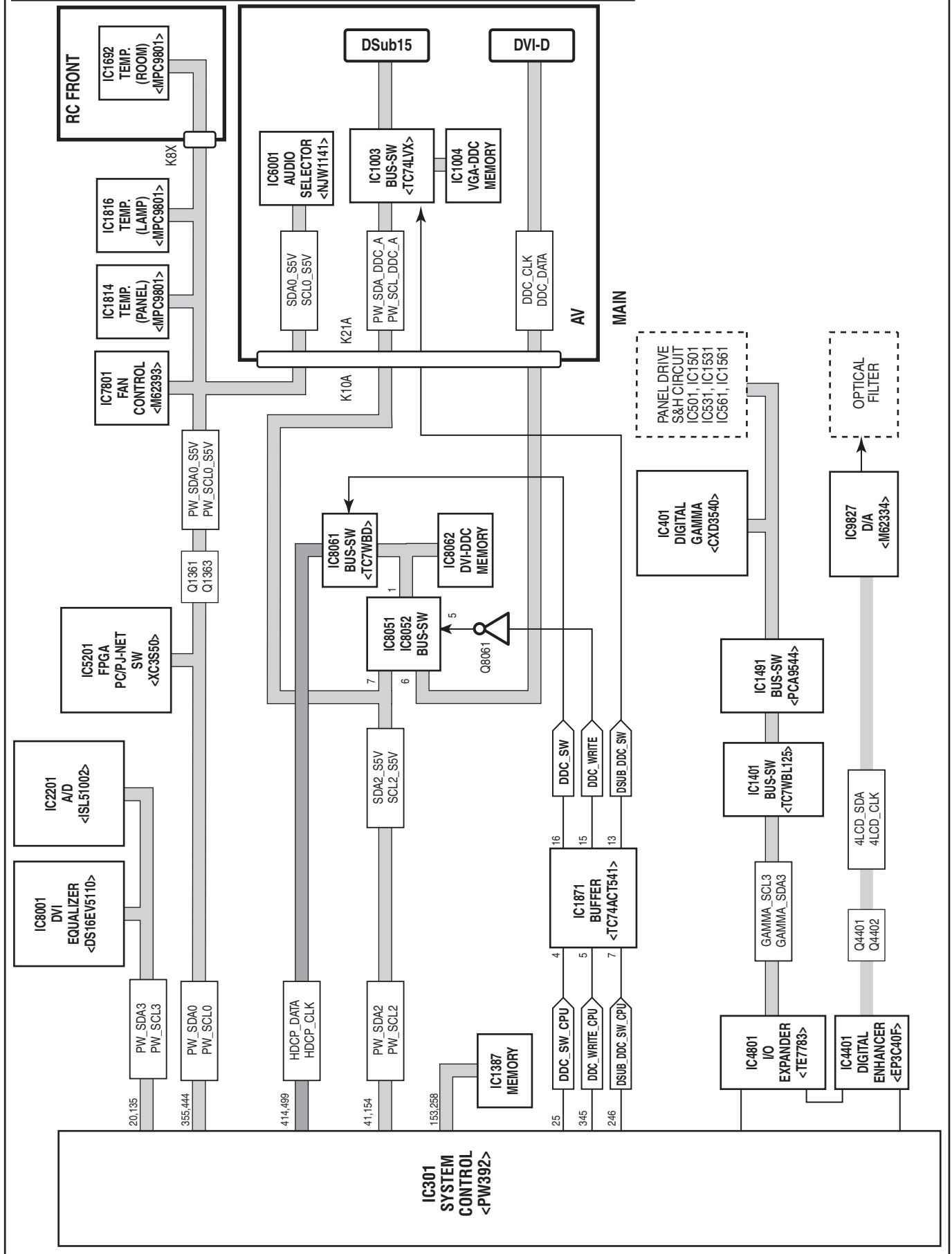
Fan control stage



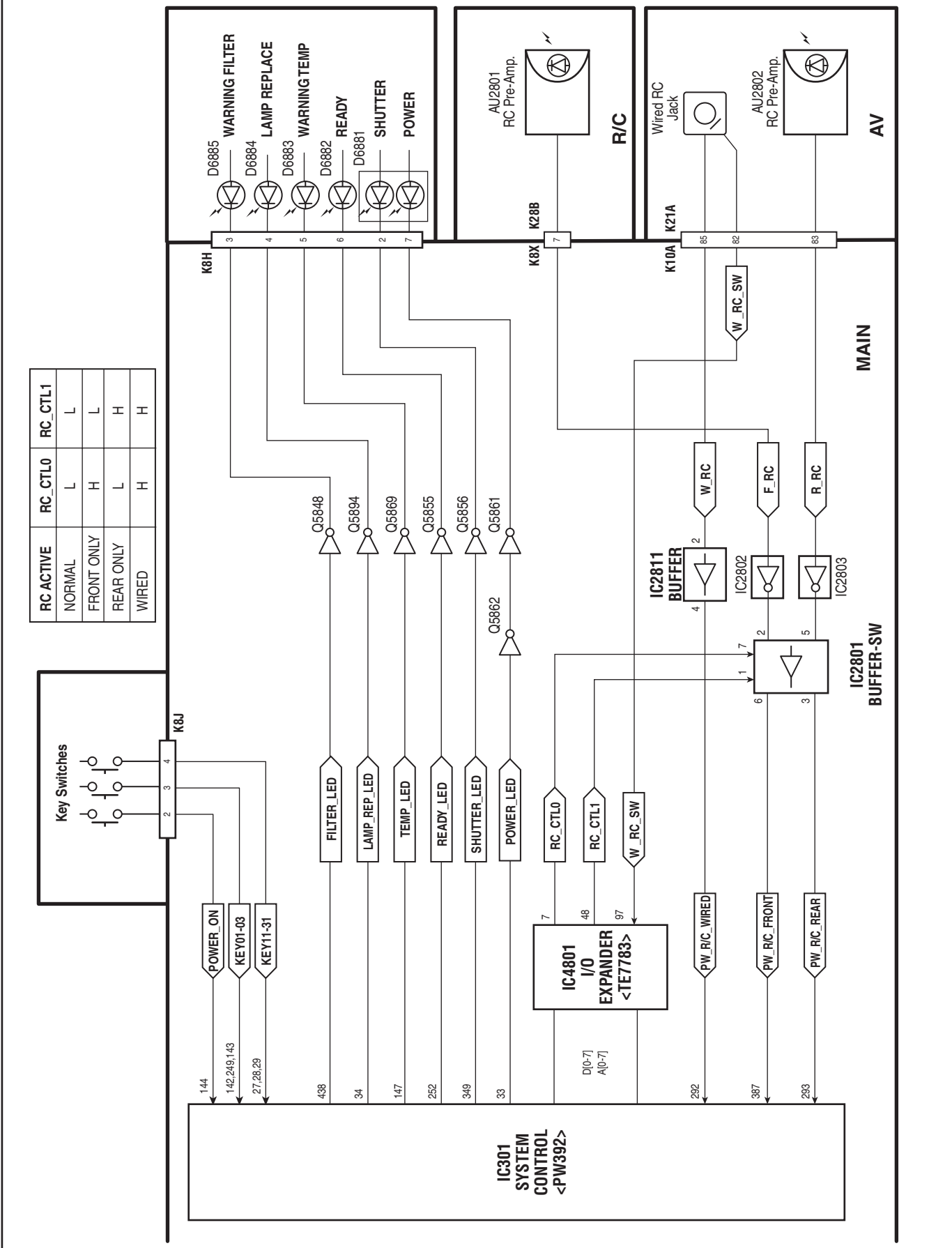
Motor control stage



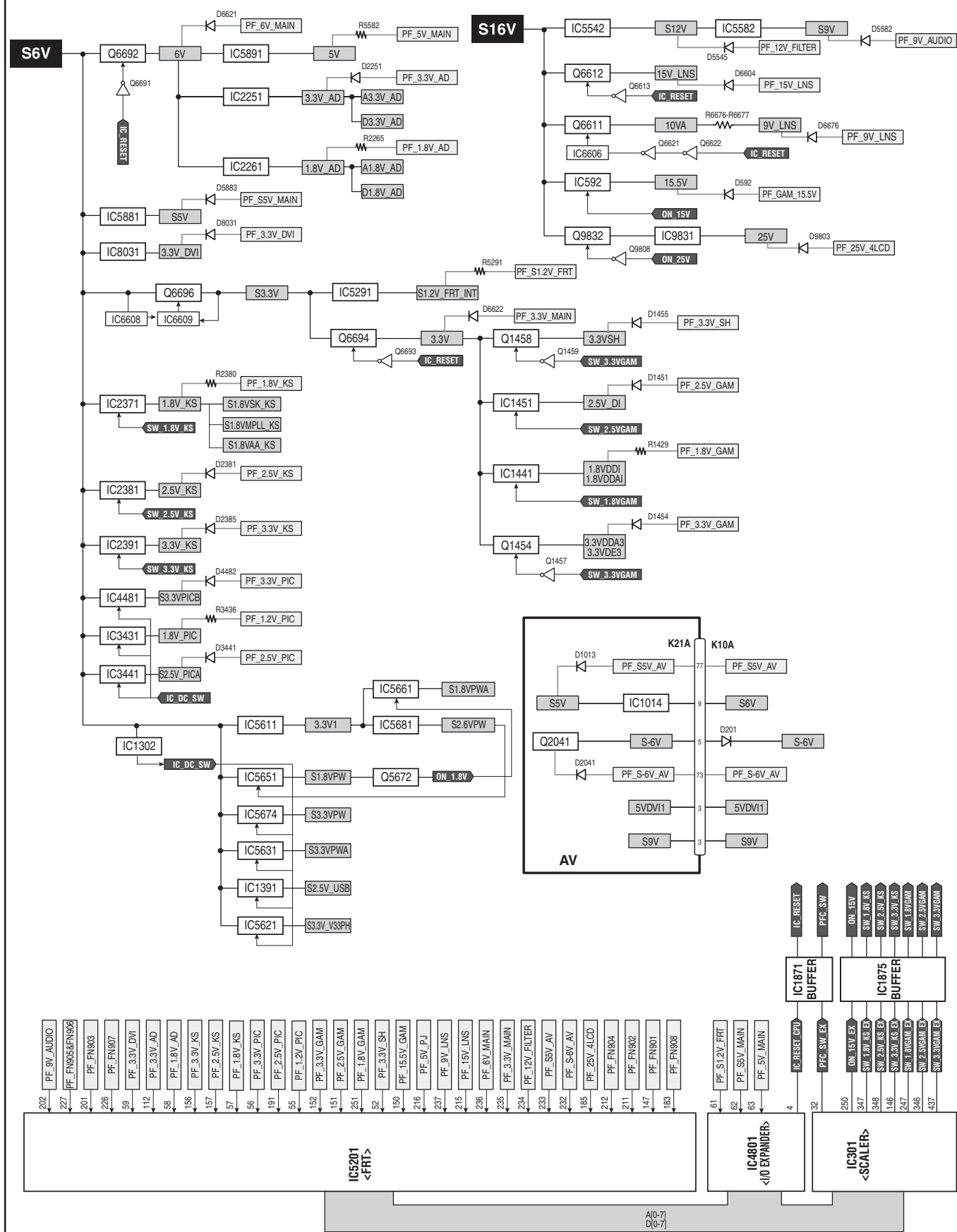
Bus control stage



LED drive & RC control stage



Power supply & power failure circuit



Indicators and Projector Condition

Check the indicators for the projector condition.

The projector is operating normally.

Indicators					Projector Condition
POWER green	LAMP/ SHUTTER red/blue	WARNING TEMP. red	WARNING FILTER orange	LAMP REPLACE orange	
●	●	●	●	●	The projector is off. (The AC power cord is unplugged.)
○	⊕	●	*	*	The projector is in stand-by mode. Press the ON/STAND-BY button to turn on the projector.
○	⊕	●	*	*	The projector is operating normally. (The shutter is open)
○	⊗	●	*	*	The projector is operating normally. (The shutter is closed)
●	⊕	●	*	*	The projector is preparing for stand-by or the projection lamp is being cooled down. The projector cannot be turned on until cooling is completed and the POWER indicator lights green.
●	⊕	●	*	*	The projection lamp is being cooled down in the Power management mode.
⊗	⊕	●	*	*	The projector is in the Power management mode.
●	⊗	●	*	*	The projection lamp is being cooled down in the Shutter management mode.
○	⊗	●	*	*	The projector is in the Shutter management mode. Press the ON/STAND-BY button to turn on the projector.
○	*	●	⊗	*	The filter is scrolled using the FILTER button on the remote control or the Filter control function in the setting menu. When the filter is being scrolled, the Filter replacement icon and "Please wait..." message (Fig. 1) appear on the screen for about 30 seconds.

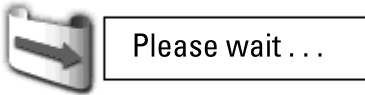


Fig.1 Filter replacement icon and "Please wait..."

- ●●● on
- ⊕ ●●● on (red)
- ⊗ ●●● on (blue)
- ⊙ ●●● dim
- ⊕ ●●● dim (red)
- ⊗ ●●● blinking at the normal rate (approx. 1 second ON, 1 second OFF)
- ⊗ ●●● blinking at the normal rate (blue and dim red) (approx. 1 second ON, 1 second OFF)
- ●●● off
- * ●●● Differ according to conditions.
- ⊗ ●●● blinking fast (approx. 0.5 seconds ON, 0.5 seconds OFF)
- ⊗ ●●● blinking fast (blue and dim red) (approx. 0.5 seconds ON, 0.5 seconds OFF)
- ⊗ ●●● blinking slow (approx. 2 seconds ON, 2 seconds OFF)

The projector is detecting abnormal condition.

Indicators					Projector Condition
POWER green	LAMP/ SHUTTER red/blue	WARNING TEMP. red	WARNING FILTER orange	LAMP REPLACE orange	
			*	*	The temperature inside the projector is elevated close to the abnormally high level.
			*	*	The temperature inside the projector is abnormally high. The projector cannot be turned on. When the projector is cooled down enough and the temperature returns to normal, the POWER indicator lights green and the projector can be turned on. (The WARNING TEMP. indicator keeps blinking.) Check and replace the filter.
			*	*	The projector has been cooled down enough and the temperature returns to normal. When turning on the projector, the WARNING TEMP. indicator stops blinking. Check and replace the filter.
			*		The lamp cannot light up. (The projector is preparing for stand-by or the projection lamp is being cooled down. The projector cannot be turned on until cooling is completed.)
			*		The lamp cannot light up. (The lamp has been cooled down enough and the projector is in stand-by mode and ready to be turned on with the ON/STAND-BY button.)
*	*	*	*		The lamp has been used overtime. Replace the lamp immediately and then reset the lamp counter. The indicator will be turned off after resetting the counter.




WARNING FILTER

When the filter detects clogging, reaches a time set in the timer setting or runs out of the filter scroll, the WARNING FILTER indicator lights orange. When this indicator lights orange, replace the filter or the filter cartridge with a new one promptly. Reset the Filter counter and Scroll counter after replacing the filter cartridge (p.63).

LAMP REPLACE

When the projection lamp reaches its end of life, the LAMP REPLACE indicator lights orange. When this indicator lights orange, replace the projection lamp with a new one promptly. Reset the lamp counter after replacing the lamp (p.65).

The projector is detecting abnormal condition.

Indicators					Projector Condition
POWER green	LAMP/ SHUTTER red/blue	WARNING TEMP. red	WARNING FILTER orange	LAMP REPLACE orange	
○	*	●	○	*	<p>If the Filter counter reached a time set in the timer setting, a Filter replacement icon (Fig.2) appears on the screen and the WARNING FILTER indicator on the top panel lights up. Replace the filter as soon as possible. If the filter is out of scroll and the projector reaches a time set in the timer setting, Fig. 3 appears on the screen and the WARNING FILTER indicator lights up. Replace the filter cartridge as soon as possible.</p> <p>If the filter is clogged and no scroll is left in the filter cartridge, a Filter cartridge replacement icon (Fig.4) appears on the screen and the WARNING FILTER indicator lights up. Replace the filter cartridge as soon as possible.</p> <p>Note:</p> <ul style="list-style-type: none"> • Fig.2, Fig.3 and Fig.4 icon will not appear when the Display function is set to "Off" or during "Freeze".
 Fig.2 Filter replacement icon					
 Fig.3					
 Fig.4 Filter cartridge replacement icon					
⦿	⦿	⦿	⦿	⦿	<p>The filter cartridge is not installed in the projector. Check the filter compartment to see if the filter cartridge is installed in the projector. When the filter cartridge is installed and the indicators continue to light and blink, read the column below.</p> <p>The projector detects an abnormal condition and cannot be turned on. Unplug the AC power cord and plug it again to turn on the projector. If the projector is turned off again, unplug the AC power cord and contact the dealer or the service center. Do not leave the projector on. It may cause an electric shock or a fire hazard.</p>
*	⦿	*	*	*	The shutter is out of control.
●	⦿	●	*	*	The shutter is out of control. (The projector is in the cooling mode.)
○	⦿	●	*	*	The shutter is out of control. (The projector is in the stand-by mode.) In that case, contact the service station immediately.

Power failure detection system

Detection of Power failure

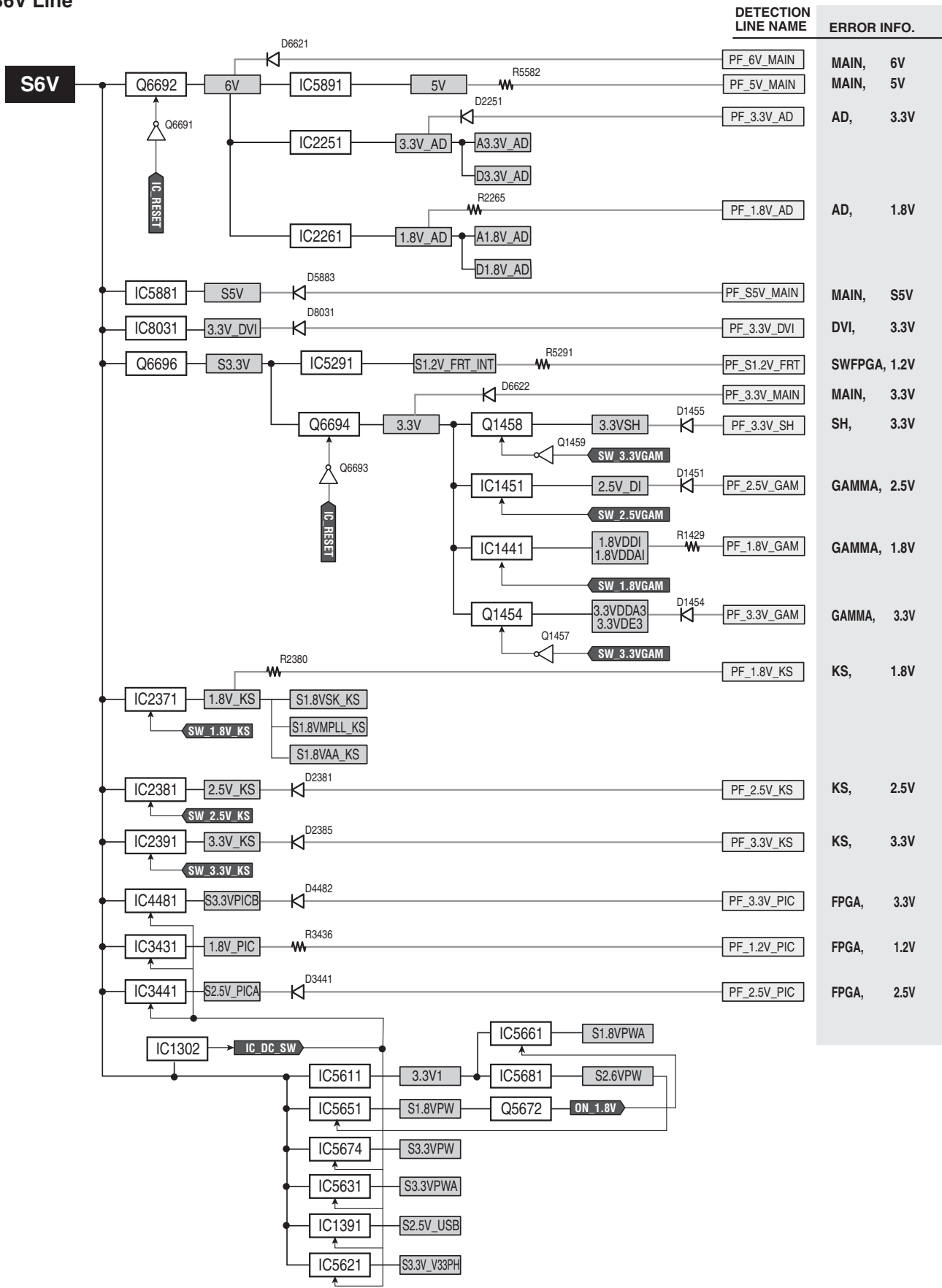
Projector provides a protection circuit to prevent the secondary failure when the power failure, fans failure or temperature failure occurs on the projector. The power failure detection lines "PF_3.3V_AD", "PF_15V_LNS", etc. are connected to the main power supplies and fans. When the failure occurs, IC301<SCALER> receives an error information through IC5201<FPGA>, IC4801 <I/O Expander> and then outputs the signal "PFC_SW_EX" from pin 32. The signal "PFC_SW_EX" is supplied to power supply circuit as the signal "PFC_SW" via IC1871 <Buffer> to control the power supply operation.

Error information table

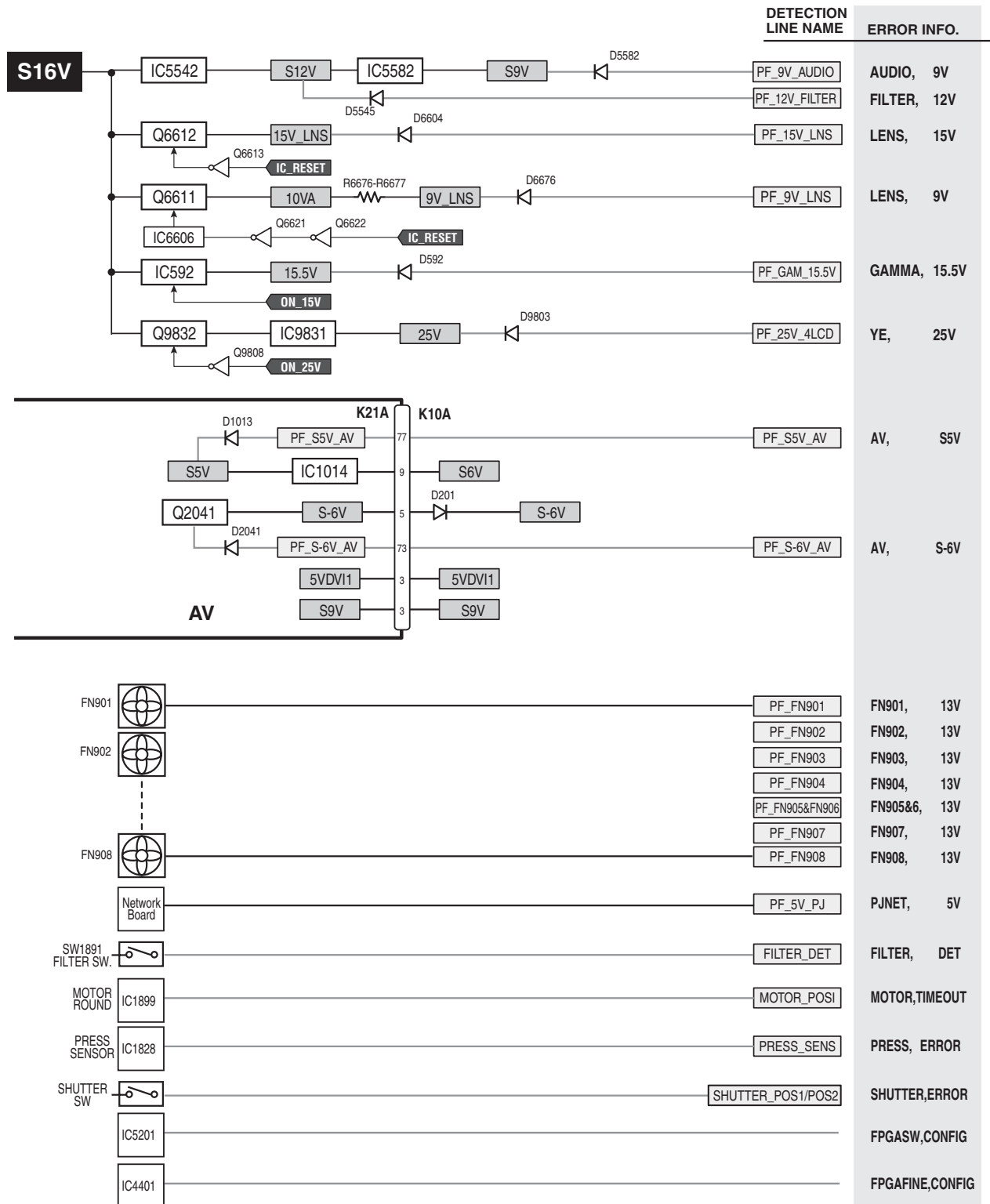
IC	Pin	Signal Name	Connection Lines	Error Information	Failure Area
IC5201 FPGA	59	PF_3.3V_DVI	3.3V_DVI	DVI, 3.3V	DVI Equalizer, IC8001
	112	PF_3.3V_AD	3.3V_AD	AD, 3.3V	A/D, IC2201
	58	PF_1.8V_AD	1.8V_AD	AD, 1.8V	A/D, IC2201
	156	PF_3.3V_KS	3.3V_KS	KS, 3.3V	Keystone, IC2301
	157	PF_2.5V_KS	2.5V_KS	KS, 2.5V	Keystone, IC2301
	57	PF_1.8V_KS	1.8V_KS	KS, 1.8V	Keystone, IC2301
	56	PF_3.3V_PIC	3.3V_PIC	FPGA, 3.3V	PIC FPGA, IC4401
	191	PF_2.5V_PIC	2.5V_PIC	FPGA, 2.5V	PIC FPGA, IC4401
	55	PF_1.2V_PIC	1.2.V_PIC	FPGA, 1.2V	PIC FPGA, IC4401
	152	PF_3.3V_GAM	3.3V_GAM	GAMMA, 3.3V	Gamma 3.3V, IC401
	151	PF_2.5V_GAM	2.5V_GAM	GAMMA, 2.5V	Gamma 2.5V, IC401
	251	PF_1.8V_GAM	1.8V_GAM	GAMMA, 1.8V	Gamma 1.8V, IC401
	52	PF_3.3V_SH	3.3V_SH	SH, 3.3V	S&H 3.3V, IC501-IC1561
	150	PF_15.5V_GAM	15.5V_GAM	GAMMA, 15.5V	Gamma 15V, IC401
	216	PF_5V_PJ	PJNET_5V	PJNET, S5V	PJ-NET 5V
	237	PF_9V_LNS	9V_LNS	LENS, 9V	Lens Drive 9V
	215	PF_15V_LNS	15V_LNS	LENS, 15V	Lens Drive 15V
	236	PF_6V_MAIN	S6V	MAIN, 6V	Main S6V
	235	PF_3.3V_MAIN	S3.3V	MAIN, 3.3V	Main S3.3V
	234	PF_12V_FILTER	12V	FILTER, 12V	Filter Drive 12V
	233	PF_S5V_AV	S5V_AV	AV, S5V	AV S5V
	232	PF_S-6V_AV	-6V	AV, S-6V	AV S-6V
	185	PF_25V_4LCD	25V	YE, 25V	Optical Filter Drive Power
	212	PF_FN904	FN904 POWER & LOCK	FN904, 13V	FN904 Power & Lock
	211	PF_FN902	FN902 POWER & LOCK	FN902, 13V	FN902 Power & Lock
	147	PF_FN901	FN901 POWER & LOCK	FN901, 13V	FN901 Power & Lock
	183	PF_FN908	FN908POWER & LOCK	FN908, 13V	FN908 Power & Lock
	227	PF_FN905&FN906	FN905, FN906 POWER & LOCK	FN905&6 13V	FN905&FN906 Power & Lock
	201	PF_FN903	FN903 POWER & LOCK	FN903, 13V	FN903 Power & Lock
	226	PF_FN907	FN907 POWER & LOCK	FN907, 13V	FN907 Power & Lock
202	PF_9V_AUDIO	9V AUDIO	AUDIO, 9V	9V AUDIO	
IC4801 TE7783	61	PF_S1.2V_FRT	S1.2V_FRT	SWFPGA, 1.2V	SW FPGA1.2V, IC5201
	62	PF_S5V_MAIN	S5V	MAIN, S5V	Main S5V Power
	63	PF_5V_MAIN	5V	MAIN, 5V	Main 5V Power
IC301 PW392	343	FILTER_DET	FILTER CONDITION DETECT	FILTER, DET	Filter Cartridge is not installed
	388	MOTOR_POSI	MOTOR ERROR DETECT	MOTOR, TIMEOUT	Filter Motor Error
	281	PRESS_SENS	PRESSURE SENSOR DETECT	PRESS, ERROR	Pressure is less than 500mmHg
IC5201	-	-	-	FPGASW, CONFIG	IC5201 Configuration Error
IC4401	-	-	-	FPGAFINE, CONFIG	IC4401 Configuration Error
IC4401	292	SHUTTER_POS1	SHUTTER POSITION SW	SHUTTER, ERROR	Shutter Operation Error
	391	SHUTTER_POS2			

Power failure detection tree

S6V Line



S16V Line and others



Chassis Description

Error History Log

This projector provides the error history log function. To check the logs, you need to enter the service mode and select Group No. "220" and Item No. "0" to "49". The error code is displayed on the Data column. The description of the error code is listed on the table below.

* How to enter the service mode and select the group, item and data value, see "Service Adjustment Menu Operation".

Group No.	Item No.	Data (Error Code)
220	0	* <- Latest Error
	1	*
	2	*
	3	*
	:	:
	:	:
	49	*

Error	Error Code	Error Information (See Power Failure Detection System)	Error Code	Error Information (See Power Failure Detection System)
Normal	0	-		
Power Failure	1000	DVI, 3.3V	1021	AV, S-6V
	1001	AD, 3.3V	1022	YE, 25V
	1002	AD, 1.8V	1023	FN904, 13V
	1003	KS, 3.3V	1024	FN902, 13V
	1004	KS, 2.5V	1025	FN901, 13V
	1005	KS, 1.8V	1026	FN908, 13V
	1006	FPGA, 3.3V	1027	FN905&6 13V
	1007	FPGA, 2.5V	1028	FN903, 13V
	1008	FPGA, 1.2V	1029	FN907, 13V
	1009	GAMMA, 3.3V	1030	AUDIO, 9V
	1010	GAMMA, 2.5V	1031	SWFPGA, 1.2V
	1011	GAMMA, 1.8V	1032	MAIN, S5V
	1012	SH, 3.3V	1033	MAIN, 5V
	1013	GAMMA, 15.5V	1034	FILTER, DET
	1014	PJNET, S5V	1035	MOTOR, TIMEOUT
	1015	LENS, 9V	1036	PRESS, ERROR
	1016	LENS, 15V		
	1017	MAIN, 6V		
	1018	MAIN, 3.3V		
	1019	FILTER, 12V		
1020	AV, S5V			
Temperature Error	2000	Sensor A detects abnormal temperature. (IC1816)		
	2001	Sensor A fails measurement. (IC1816)		
	2100	Sensor B detects abnormal temperature. (IC1814)		
	2101	Sensor B fails measurement. (IC1814)		
	2102	Sensors B-A temperature error.		
	2200	Sensor C detects abnormal temperature. (IC1692)		
	2201	Sensor C fails measurement. (IC1692)		
	2202	Sensors C-A temperature error.		
Lamp Error	3000	Lamp1 fails on		
	3001	Lamp1 goes out		
	3002	Communication Error on Lamp1		
System Error	4000	FPGASW, CONFIG		
	4001	FPGAFINE, CONFIG		
Shutter Error	5000	SHUTTER, ERROR		
Filter Error	6000	Filter clogged		

How to reset the Error History Log

1. Enter the Service Mode, and select Group No. "220" and Item No. "50".
2. The history log will be reset when the Data Value is set to "10". The value automatically returns to "0".

* How to enter the service mode and select the group, item and data value, see "Service Adjustment Menu Operation".

Diagnosis of Power Failure with RS-232C port

This projector provides a function to get the error information of the projector by using the RS-232C serial port for the power failure diagnosis.

The further error information of the power failure and fan failure can be found out by using this function.

Diagnosis procedure

- 1 Connect a RS-232C serial cross cable to CONTROL PORT on the projector and serial port on the PC.
- 2 Launch a communication software "Hyper terminal" provided with PC and setup the communication condition as follows;

Baud rate	: 9600 / 19200 bps
Parity check	: none
Stop bit	: 1
Flow control	: none
Data bit	: 8

- 3 Turn on the projector. Check that the LED shows a power failure. (All the LEDs except LAMP LED are blinking)
- 4 Type a diagnosis command of the power failure "CR ALLPFAIL" and press a "ENTER" key within 1 second on the command window of the software.

The error information will be listed on the window as the right.

Check the status column. If "NG" is listed, the power failure occurs on its signal line (Power Line Name). In case of the right table, this error information means that the power failure occurs on the 1.8V power supply on the AD circuit on the main board. Check if the parts connected to 1.8V power supply line are defective.

Error Information (Signal Name)

CR ALLPFAIL			
000 DVI,	3.3V	OK	Status
000 AD,	3.3V	OK	
000 AD,	1.8V	NG	Error
000 KS,	3.3V	OK	
000 KS,	2.5V	OK	
000 KS,	1.8V	OK	
000 FPGA,	3.3V	OK	
.....	

Also the error information may be listed multiple as the below;

In the above case, 2 kinds of causes are considered. One is the power failure occurs on the multiple places at the same time, other is a power failure affects multiple power supply lines even if the failure occurs on the single place.

In the first case, Check if the parts connected to the multiple power supply lines are defective. In the later case, determine a failure point referring to the power supply flow chart on previous page. Basically, if the power failure occurs on the upper side of power supply, the power failure is also detected on lower side of power supply frequently.

If the failure occurs on the lower side of power supply, it is lightly affected to the upper side of the power supply. In the above case, because the failure occurs on the 6V power supply on the main board, the failure is also detected on the 3.3V and 1.8V power supply on the AD circuit on the main board.

CR ALLPFAIL			
000 DVI,	3.3V	OK	
000 AD,	3.3V	NG	Error
000 AD,	1.8V	NG	
000 KS,	3.3V	OK	
000 KS,	2.5V	OK	
000 KS,	1.8V	OK	
000 MAIN,	6V	NG	
.....	

* See "Power Failure Detection System" for further description of the Error Information.

Serial Control Interface

This projector provides a function to control and monitor the projector's operations by using the RS-232C serial port.

Operation

- 1 Connect a RS-232C serial cross cable to CONTROL PORT on the projector and serial port on the PC.
- 2 Launch a communication software "Hyper terminal" provided with PC and setup the communication condition as follows;

Note: The default of the baud rate is set to 19200 bps. If an error occurs in the communication, change the serial port and the communication speed (baud rate).

- 3 Type the command for controlling the projector and then enter the "Enter" key within 1 second.

Example

When you want to change the input to INPUT 2, Type 'C' '0' '6' 'Enter'.

Note: Enter with ASCII 64-byte capital characters and one-byte characters.

Baud rate	: 9600 / 19200 bps
Parity check	: none
Stop bit	: 1
Flow control	: none
Data bit	: 8

Functional Execution Command

Format

The command is sent from PC to the projector with the format below;

'C' [Command] 'CR'

Command: two characters (refer to the command table below).

-The projector decodes the command and returns the 'ACK' with the format below;

'ACK' 'CR'

-When the projector can not decode the command, it returns with format below.

'?' 'CR'

Command	Function	Command	Function
C00	Turn the projector ON	C34	Select Input 3 S-video
C01	Turn the projector OFF (immediately OFF)	C35	Select Input 3 Y, Pb/Cb,Pr/Cr
C02	Turn the projector OFF	C3A	Pointer RIGHT
C05	Select Input 1	C3B	Pointer LEFT
C06	Select Input 2	C3C	Pointer UP
C07	Select Input 3	C3D	Pointer DOWN
C08	Select Network	C3F	Enter
C09	Volume +	C46	Zoom DOWN
C0A	Volume -	C47	Zoom UP
C0B	Sound mute ON	C4A	Focus DOWN
C0C	Sound mute OFF	C4B	Focus UP
C0D	Video mute ON	C50	Select Input 1 Analog RGB
C0E	Video mute OFF	C51	Select Input 1 SCART
C0F	Aspect 4:3	C52	Select Input 1 DVI (PC Digital)
C10	Aspect 16:9	C53	Select Input 1 DVI (AV HDCP)
C1C	Menu ON	C5D	Lens shift UP
C1D	Menu OFF	C5E	Lens shift DOWN
C20	Brightness UP	C5F	Lens shift LEFT
C21	Brightness DOWN	C60	Lens shift RIGHT
C23	Select Input 2 Video	C89	Auto PC Adj.
C24	Select Input 2 Y, Pb/Cb,Pr/Cr	C8E	Keystone UP
C25	Select Input 2 RGB	C8F	Keystone DOWN
C28	ON Start ON	C90	Keystone RIGHT
C29	ON Start OFF	C91	Keystone LEFT
C33	Select Input 3 Video		

Status Read Command

Format

The command is sent from PC to the projector with the format below;

'CR' [Command] 'CR'

Command: one character (refer to the command table below.

The projector decodes the command and returns the 'Character string' with the format below;

Command	Function	Projector Return	Projector status
CR0	Status Read	00	Power On
		80	Stand-by mode
		40	Countdown
		20	Cooling down
		10	Power Malfunction
		28	Cooling down at the temperature anomaly
		24	Cooling down at Power Management mode
		04	Power Management mode after Cooling down
		21	Cooling down after the projector is turned off when the lamps are out.
		81	Stand-by mode after Cooling down when the lamps are out.
		88	Stand-by mode after Cooling down at the temperature anomaly.
		8C	Stand-by mode after cooling down by the shutter management function.
CR6	Temperature Read	S1 S2 S3	S1 = Temperature at Sensor 1 (Temp A) (°C) S2 = Temperature at Sensor 2 (Temp B) (°C) S3 = Temperature at Sensor 3 (Temp C) (°C) (ex.) S1 = 12.3°C, S2 = 23.4°C, S3 = 34.5°C --> The projector displays "12.3 23.4 34.5" (For each sensor, two digit and the tenth place numbers are displayed with a space between each temperature.)
		?	Communication failure

The tables show the typical command lists for controlling the projector. Please consult your local dealer for further information of other commands.

Control Port Functions

System Control I/O Port Functions (PW392, IC301)

PIN	PORT	SIGNAL	FUNCTION	I/O	NOTE
A1	RX2-PW		DVI Input	I	
A3	RX1-PW		DVI Input	I	
A5	RX0- PW		DVI Input	I	
A7	RXC- PW		DVI Input	I	
A18	HSOUT		H SYNC Input	I	
A19	LENS_L_POSI_EX		Lens Shift L Detect Input	I	
A20	PW_SDA3		IIC Bus 3	I/O	
A23	LAMP_DET		Lamp Detect Input	I	
A25	DDC_SW_CPU		DDC Switch Control	O	
A27	KEY11		Keypad Input	I	
A28	KEY31		Keypad Input	I	
A29	KEY03		Keypad Input	I	
B1	RX2+ PW		DVI Input	I	
B3	RX1+ PW		DVI Input	I	
B5	RX0+ PW		DVI Input	I	
B7	RXC+ PW		DVI Input	I	
B18	INOHS		H SYNC Input	I	
B19	LENS_R_POSI_EX		Lens Shift R Detect Input	I	
B20	PW_SCL3		IIC Bus 3	I/O	
B22	OUT_SW		Monitor Output Switch Control	O	H: Monitor Out
B23	TRM2		Long Cable Switch	O	H: Long Cable
B24	-BNC/RCA_CPU		BNC/RCA Switch	O	H: BNC L: RCA
B25	KS_CRSTN		PW610 Reset Signal Output	O	
B27	KEY21		Keypad Input	I	
B28	KEY02		Keypad Input	I	
B29	POWER ON		Keypad Input	I	
C18	INOVS		V Sync Input	I	
C19	LENS_BOT_EX		Lens Shift Bottom Detect Input	I	
C22	IN1/IN2		INPUT 1/INPUT2 Switch	O	H: INPUT1 L: INPUT2
C23	TRM1		Long Cable Switch	O	H: Long Cable
C24	DSUB_DDC_SW_CPU		DDC Switch Control (DSUB)	O	
C25	SW_1.8VGAM_EX		SW_1.8V Switch output	O	H: On
C26	RST_S&H_SH		Reset For Sample&Hold IC	O	
C27	KEY01		Keypad Input	I	
C28	ON_15V_EX		On_15V Switch Output	O	H: On
C29	LAMP_SWIN_EX		LAMP Drive Switch Output	O	H: On
C30	PFC_SW_EX		Fan Control Switch Output	O	H: On
D18	LENS_C_POSI_EX		Lens Shift Center Detect Input	I	
D19	LENS_TOP_EX		Lens Shift Top Detect Input	I	
D21	ON_25V		25V Drive Signal Output	O	H: On
D22	FILTER_DET		Filter Detect Input	I	
D25	SW_2.5VGAM_EX		SW_2.5V Drive Signal Output	O	H: On
D26	SW_1.8V_KS_EX		SW_1.8V Drive Signal Output(KS)	O	H: On
D27	SW_2.5V_KS_EX		SW_2.5V Drive Signal Output(KS)	O	H: On
D30	POWER_LED		Power LED Drive Output	O	H: On
E2			Reset IC	I	
E25	SW_3.3VGAM_EX		SW_3.3V Drive Signal Output H: On	O	H: On
E26	FILTER_LED		Filter LED Drive Output	O	H: On
E27	SHUTTER_LED		Shutter LED Drive Output	O	H: On
E28	READY_LED		Ready LED Drive Output	O	H: On
E29	TEMP_LED		Warning LED Drive Output	O	H: On
E30	LAMP_REP_LED		Lamp Replace LED Drive output	O	H: On
F26	MUTE_EX		Mute Output	O	H: Mute
G4	HDCP_CLK		HDCP IIC Bus	I/O	
G5	HDCP_DATA		HDCP IIC Bus	I/O	
J1	VIDEO		Composite Video Signal	I	
K1	S_C		S-Video C Signal	I	
K3	S_Y		S-Video Y Signal	I	
K26	ZOOM- EX		Zoom- Drive Output	O	
K28	LAMP_TEMP		Lamp Temp Sensor Input	I	
K29	FOCUS+ EX		Focus+ Drive Output	O	
K30	FOCUS- EX		Focus- Drive Output	O	
L26	PW_SDA0		IIC Bus 0	I/O	
L27	PW_SCL0		IIC Bus 0	I/O	
L30	ZOOM+ EX		Zoom+ Drive Output	O	
M26	LB_PW_UART		UART for Lamp Ballast	I/O	
M27	PW_LB_UART		UART for Lamp Ballast	I/O	
M29	PW_SDA2		IIC Bus 2	I/O	
M30	PW_SCL2		IIC Bus 2	I/O	
N1			SCART Blue Input	I	

Control Port Functions

PIN	PORT	SIGNAL	FUNCTION	I/O	NOTE
P1		SCART_CV_PW	SCART C Sync Input	I	
P2		SCART_G	SCART Green Input	I	
R3		SCART_R	SCART Red Input	I	
T2		SCART_G	SCART Green Input	I	
U1		Y_IN_PW	Component SOG Signal	I	
U2		Y_IN_PW	Component Y Signal	I	
U3		CB_IN_PW	Component Cb Signal	I	
V2		CR_IN_PW	Component Cr Signal	I	
AA2		INPUT2_VS_EX	V Sync for Input 2	I	
AA3		INPUT2_HS_EX	H Sync for Input 2	I	
AG11		PW_R/C_FRONT	Remote Control Signal Input [Front]	I	
AG12		EX_PW_UART	UART for S Port	I/O	
AG17		PW_DCLK	Clock	I	
AG18		PW_DHS	H Sync Input	I	
AH9		NMI_RST	Push switch	I	
AH10		PW_R/C_REAR	Remote Control Signal Input [Rear]	I	
AH11		RC_PW	Remote Control Signal Input [Wired]	I	
AH12		PW_EX_UART	UART for S Port	I/O	
AH18		PW_DVS	V Sync Input	I	
AH21		OPTION2	Option for Lamp	I	
AH22		PRESS_SENSE	Pressure Sensore Input	I	
AJ20		OPTION3	Option for Brand	I	
AJ21		OPTION1	Option for lamp	I	
AK21		WINS_SENSE	Flow Sensor Input	I	

I/O Expander (TE7783, IC4801)

PIN	PORT	SIGNAL	FUNCTION	I/O	NOTE
2	P1	BUFFER_SW1	Buffer SW Output	O	
3	P2	NET_SW_PW	PJNET Switch Output	O	
4	P3	IC_RESET_CPU	Reset Output for Motor Drive Ics	O	H: On
5	P4	F_MOTOR_SW	Filter Motor Drive Switch	O	H: On
6	P5	DVI_HOT	Hot Plug Switch for DVI	O	
7	P6	R/C_CTL0	Remote Control High:FRONT-ONLY/WIRED,Low:NORMAL/REAR-ONLY	O	
8	P7	PJ_UPDATE	PJNET Firmware update	O	
9	P8	NET_H/L	PJNET	O	
48	P21	R/C_CTL1	Remote Control High:REAR-ONLY/WIRED,Low:NORMAL/FRONT-ONLY	O	
49	P22	PROG_B_FRT	SW_FPGA Config	O	
50	P23	SYS_SW_CPU	Gamma Switch	O	
51	P24	FAN_DRIVE_CPU	Fan Voltage Switch	O	H: On
52	P25	SDA3_GAM	IIC for Gamma IC	IO	
53	P26	SCL3_GAM	IIC for Gamma IC	IO	
54	P27	USB_B_VBUS		IO	USB
55	P28	USB_B_D+		IO	USB
61	AIN[1]	S1.2V_FRT	Power Fail Input for SW_FPGA S1.2V	I	
62	AIN[2]	PF_S5V_MAIN	Power Fail input S5V	I	
63	AIN[3]	PF_5V_MAIN	Power Fail 5V	I	
64	AIN[4]		GND	I	
65	AIN[5]	ACCELE_SENS1+	G-Sensor1	I	
66	AIN[6]	ACCELE_SENS1-	G-Sensor1	I	
67	AIN[7]	ACCELE_SENS2+	G-Sensor2	I	
68	AIN[8]	ACCELE_SENS2-	G-Sensor2	I	
72	P31	I/O_PJ_UART	UART for PJNET	IO	UART
73	P32	PJ_I/O_UART	UART for PJNET	IO	UART
74	P33	MOUSE_TXD	PJNET Mouse	IO	UART
75	P34				UART
76	P35	LENS_LR_PWM	Lens Shift L/R Control PWM	O	PWM
77	P36	LENS_UD_PWM	Lens Shift U/D Control PWM	O	PWM
78	P37	LENS_LR_SW	Lens Shift L/R Switch	O	PWM
79	P38	LENS_UD_SW	Lens Shift U/D Switch	O	
81	DMINUS	USB_B_D-	USB	IO	
82	DPLUS	USB_B_D+	USB	IO	
91	P11	SCLK_FRT	SW FPGA Config	O	3-Wire
92	P12	SDAT_FRT	SW FPGA Config	O	3-Wire
93	P13				3-Wire
94	P14	BOX_SW	PJNET	I	
97	P15	W_RC_SW	Wired Remote Control Detect Input	I	
98	P16		S3.3V_I/O		
99	P17	INT_FRT	SW FPGA Config	O	
100	P18	DONE_FRT	SW FPGA Config	O	

Control Port Functions

FPGA (XC3S50A, IC5201)

PIN	PORT	SIGNAL	FUNCTION	I/O	NOTE
3	A3	PW_SCL0	IIC Bus SCL	I/O	
8	A8	CG_CLK	Clock Signal Input	I	
62	B3	PW_SDA0	IIC Bus SDA	I/O	
67	B8	CG_HSYNC	H Sync Signal Input	I	
59	C1	PF_3.3V_DVI	Power Fail Detection for 3.3V_DVI	I	
112	C2	PF_3.3V_AD	3.3V_AD	I	
118	C8	CG_VSYNC	V Sync Signal Input	I	
114	C4	SW_PF3.3	3.3V PF Drive	O	
58	D1	PF_1.8V_AD	1.8V_AD	I	
156	D3	PF_3.3V_KS	3.3V_KS	I	
157	D4	PF_2.5V_KS	2.5V_KS	I	
125	D14	HV_SW	HV Switch	O	
57	E1	PF_1.8V_KS	1.8V_KS	I	
56	F1	PF_3.3V_PIC	3.3V_PIC	I	
191	F4	PF_2.5V_PIC	2.5V_PIC	I	
55	G1	PF_1.2V_PIC	1.2V_PIC	I	
152	H3	PF_3.3V_GAM	3.3V_GAM	I	
151	J3	PF_2.5V_GAM	2.5V_GAM	I	
251	J7	PF_1.8V_GAM	1.8V_GAM	I	
204	J12	IN0VS	V Sync Output	O	
171	J13	IN0HS	H Sync Output	O	
52	K1	PF_3.3V_SH	3.3V_SH	I	
150	K3	PF_15.5V_GAM	15.5V_GAM	I	
216	K5	PF_5V_PJ	PJNET_5V	I	
237	K6	PF_9V_LNS	9V_LNS	I	
131	K14	IN0CLK	Clock Output	O	
215	L5	PF_15V_LNS	15V_LNS	I	
236	L6	PF_6V_MAIN	S6V	I	
235	L7	PF_3.3V_MAIN	S3.3V	I	
234	L8	PF_12V_FILTER	12V	I	
233	L9	PF_S5V_AV	S5V_AV	I	
232	L10	PF_S-6V_AV	-6V	I	
185	M4	PF_25V_4LCD	25V	I	
212	M7	PF_FN904	FN904 POWER & LOCK	I	
211	M8	PF_FN902	FN902 POWER & LOCK	I	
147	N3	PF_FN901	FN901 POWER & LOCK	I	
183	N5	PF_FN908	FN908 POWER & LOCK	I	
227	G11	PF_FN905&FN906	FN905, FN906 POWER & LOCK	I	
201	F12	PF_FN903	FN903 POWER & LOCK	I	
226	F11	PF_FN907	FN907 POWER & LOCK	I	
202	G12	PF_9V_AUDIO	9V AUDIO	I	

IIC Bus D/A Converter (M62393FP Fan Control, IC7801)

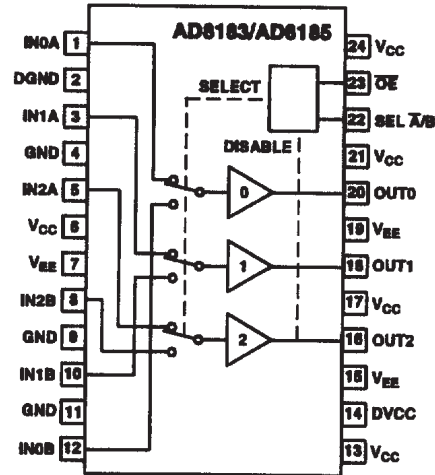
Pin No.	Function Name	Function	Pol.	Stand-by	Power On	Action
1	Reset Input		I	→		
2	IIC BUS SCL		I	→		
3	IIC BUS SDA		I/O	→		
4	FAN_CONT1	FAN_FN901 Control Voltage (Panel Cooling Fan)	AO	→	0:FAN Max ~ 255:FAN Min	
5	FAN_CONT2	FAN_FN902 Control Voltage (Panel Cooling Fan)	AO	→	0:FAN Max ~ 255:FAN Min	
6	FAN DRIVE B	FAN_FN903 Drive	AO	→	255:ON 0:OFF	
7	FAN_CONT4	FAN_FN908 Control Voltage (PBS Cooling Fan)	AO	→	(Open)	
8	DAC Lower Ref. Voltage		-	→		
9	DAC Upper Ref. Voltage (CH5~CH8)		-	→		
10	GND		-	→		
11	DAC Upper Ref. Voltage (CH1~CH4)		-	→		
12	FAN_CONT3	FAN_FN904 Control Voltage (Lamp Cooling Fan)	AO	→	0:FAN Max ~ 255:FAN Min	
13	FAN_CONT7	FAN_FN905&FN906 Control Voltage (Set Exhaust Fans small)	AO	→	0:FAN Max ~ 255:FAN Min	
14	FAN_CONT6	FAN_FN908 Control Voltage (Set Exhaust Fan Big)	AO	→	0:FAN Max ~ 255:FAN Min	
15	FAN_CONT5	FAN_FN907 Control Voltage (Power Cooling Fan)	AO	→	0:FAN Max ~ 255:FAN Min	
16	Power for Output Buffer (4.5V ~ 5.5V)		-	→		
17	Power Supply +5V±10%		-	→		
18	Slave Address Setting Pin2 (Vdd)		I	→	H	
19	Slave Address Setting Pin1 (GND)		I	→	H	
20	Slave Address Setting Pin0 (GND)		I	→	H	

Waveform

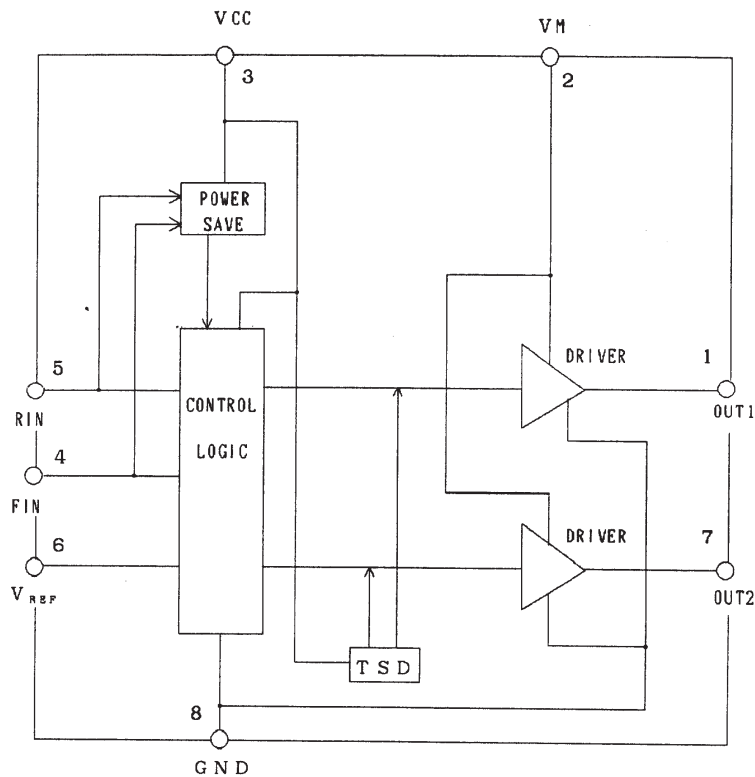
VIDEO signal <VIDEO>	HSYNC signal <TP_HS>	VSYNC signal <TP_VS>
S&H signal <TP501-TP561>	R-S&H signal <TP501>	G-S&H signal <TP531>
B-S&H signal <TP561>	OPT Drive <TP4414-TP4415>	

IC Block Diagrams

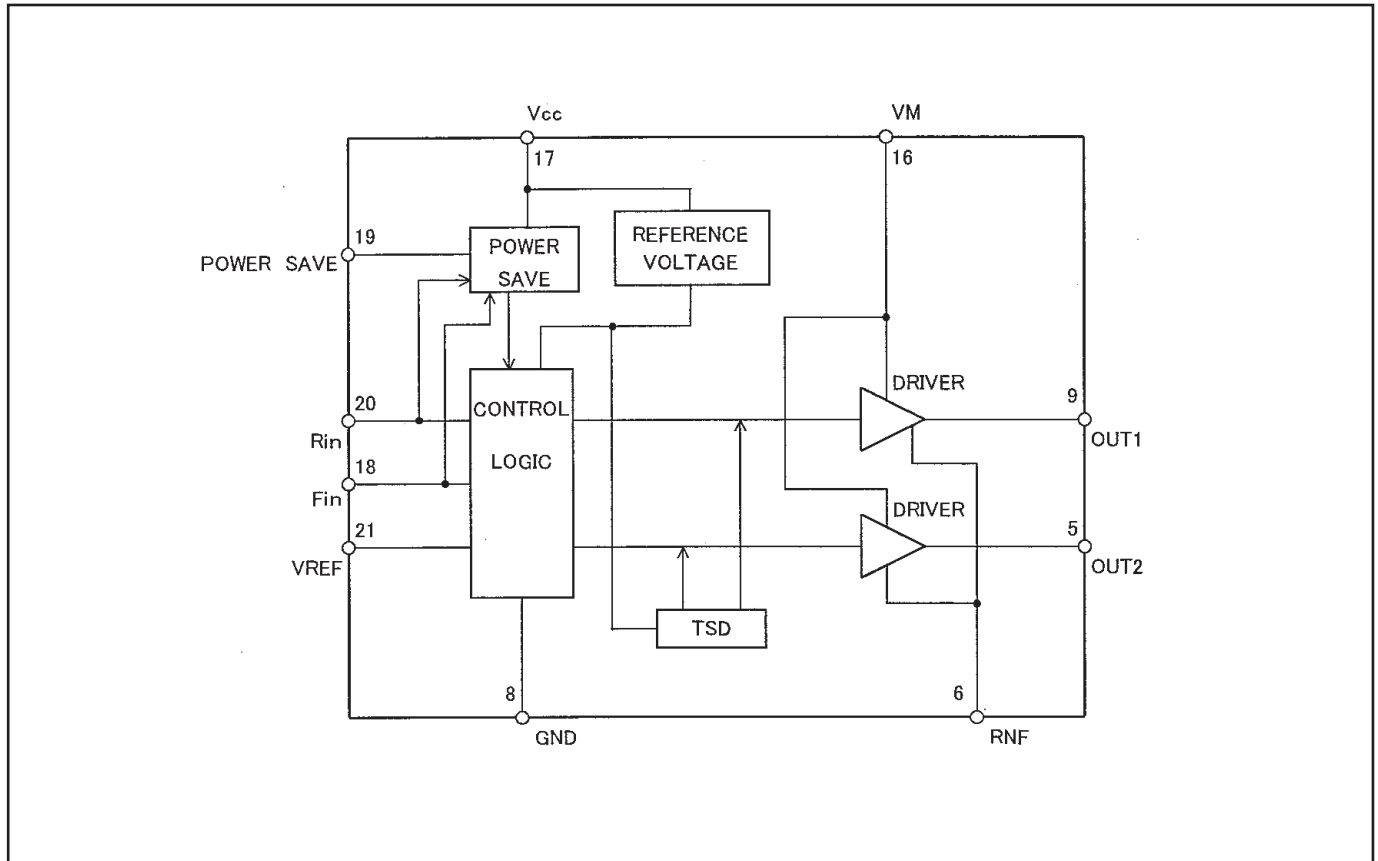
● AD8183 <Amp-SW, IC2001, IC5001>



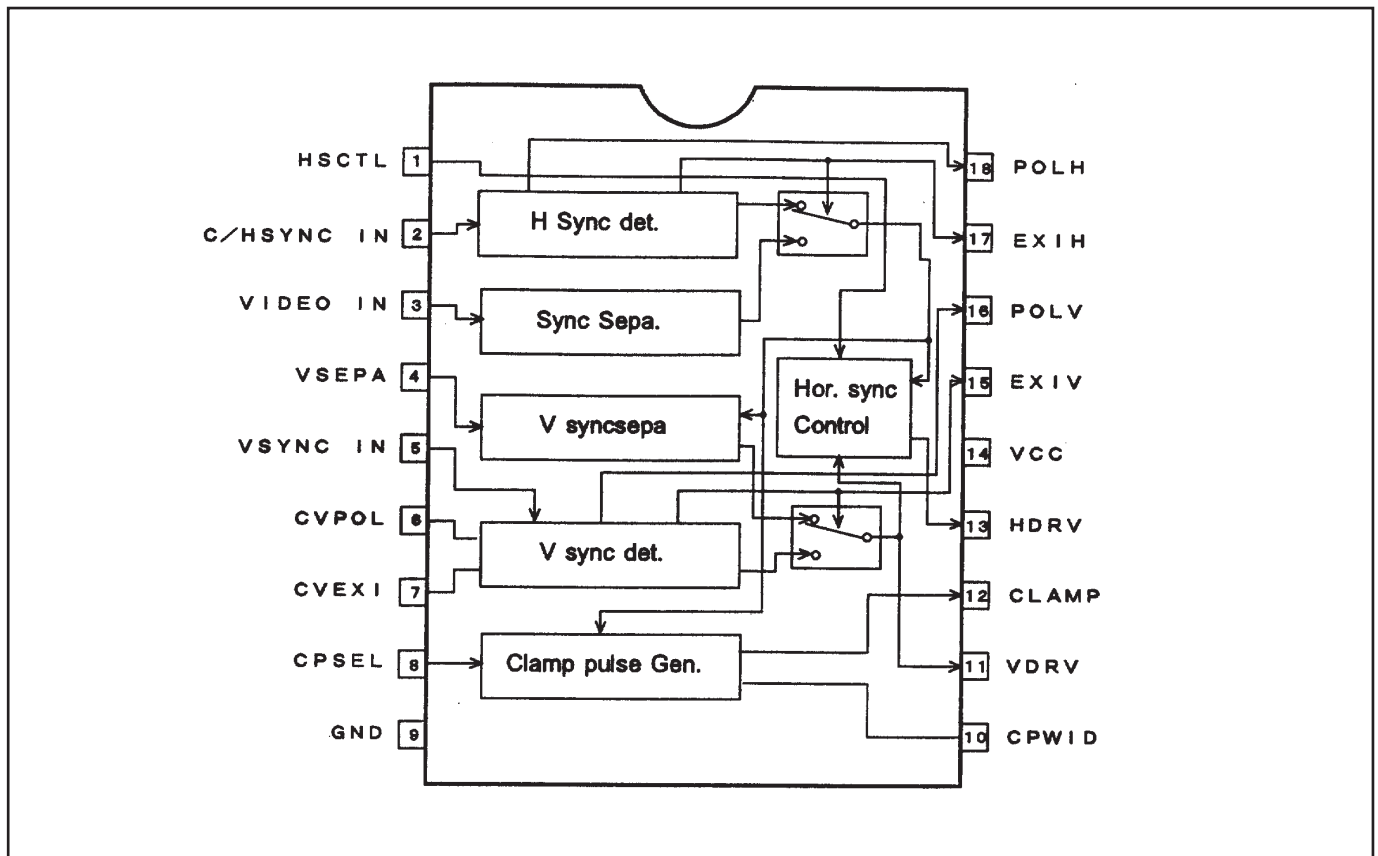
● BA6287 <Motor Drive Focus, Zoom, Shutter IC5501, IC5521, IC5561>



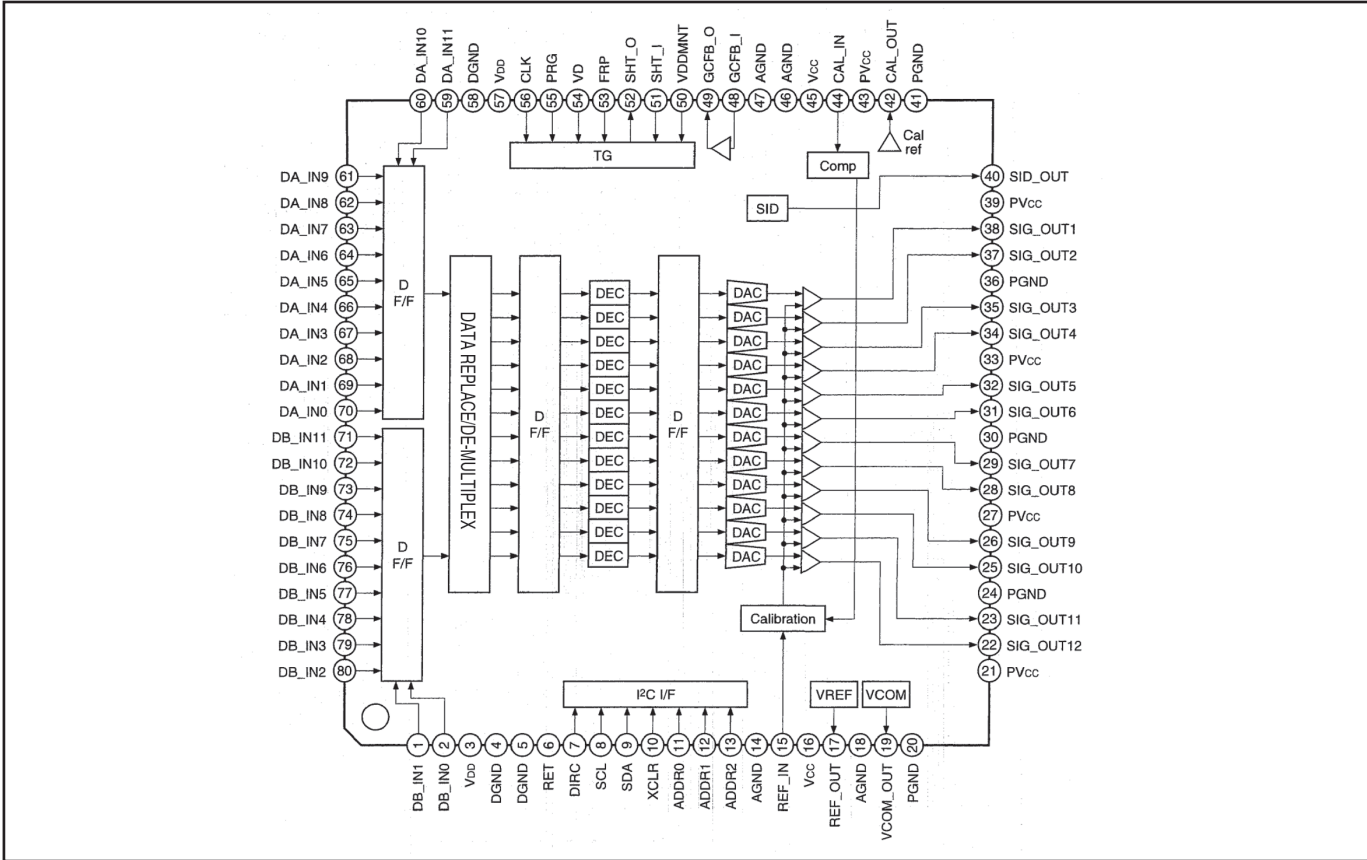
● BA6920 <Motor Drive Lens Shift Up/Down, Left/Right, IC6501, IC6521>



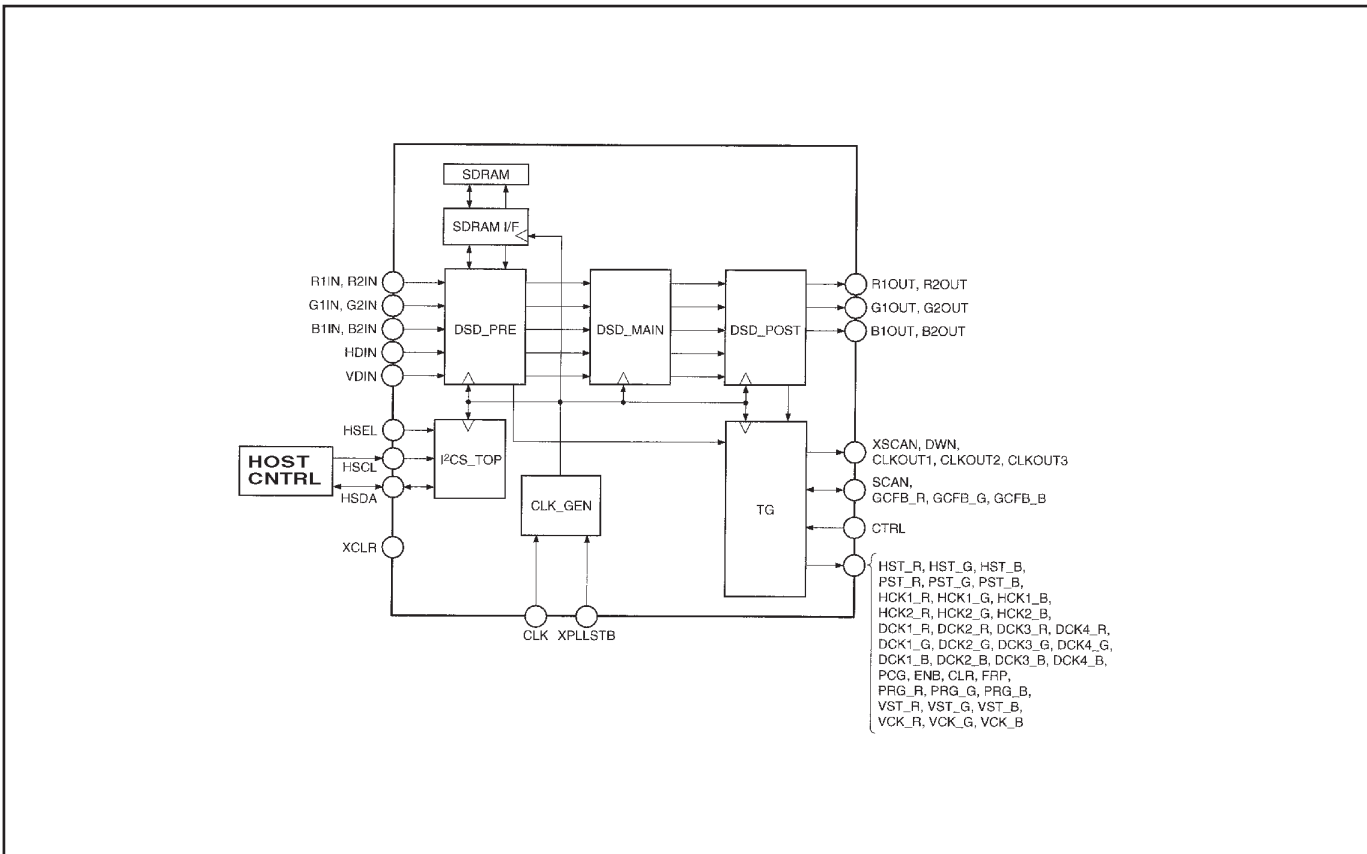
● BA7078 <Sync Separator, 1011>



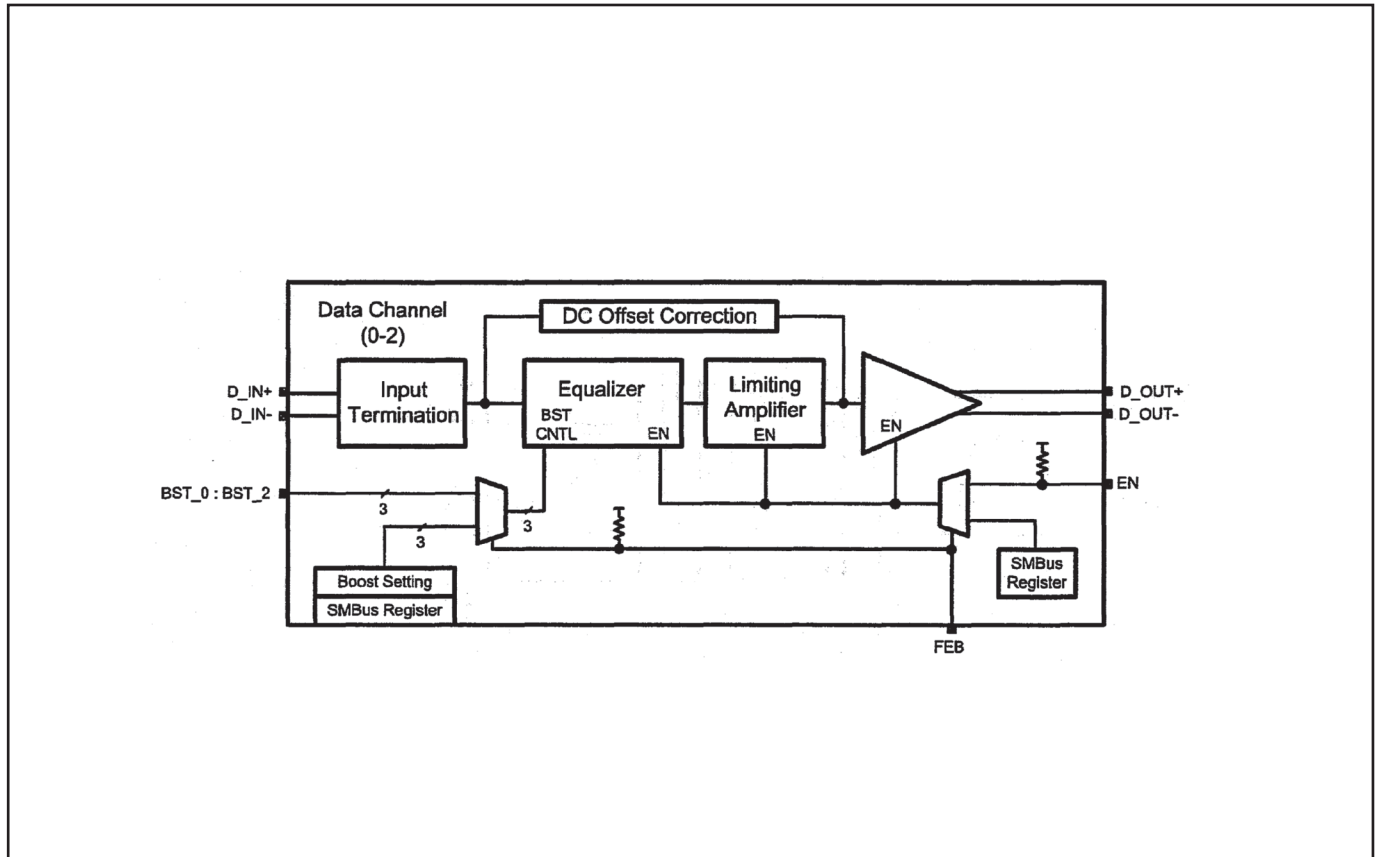
● CXA7009R <S&H, IC501, IC531, IC561, IC1501, IC1531, IC1561>



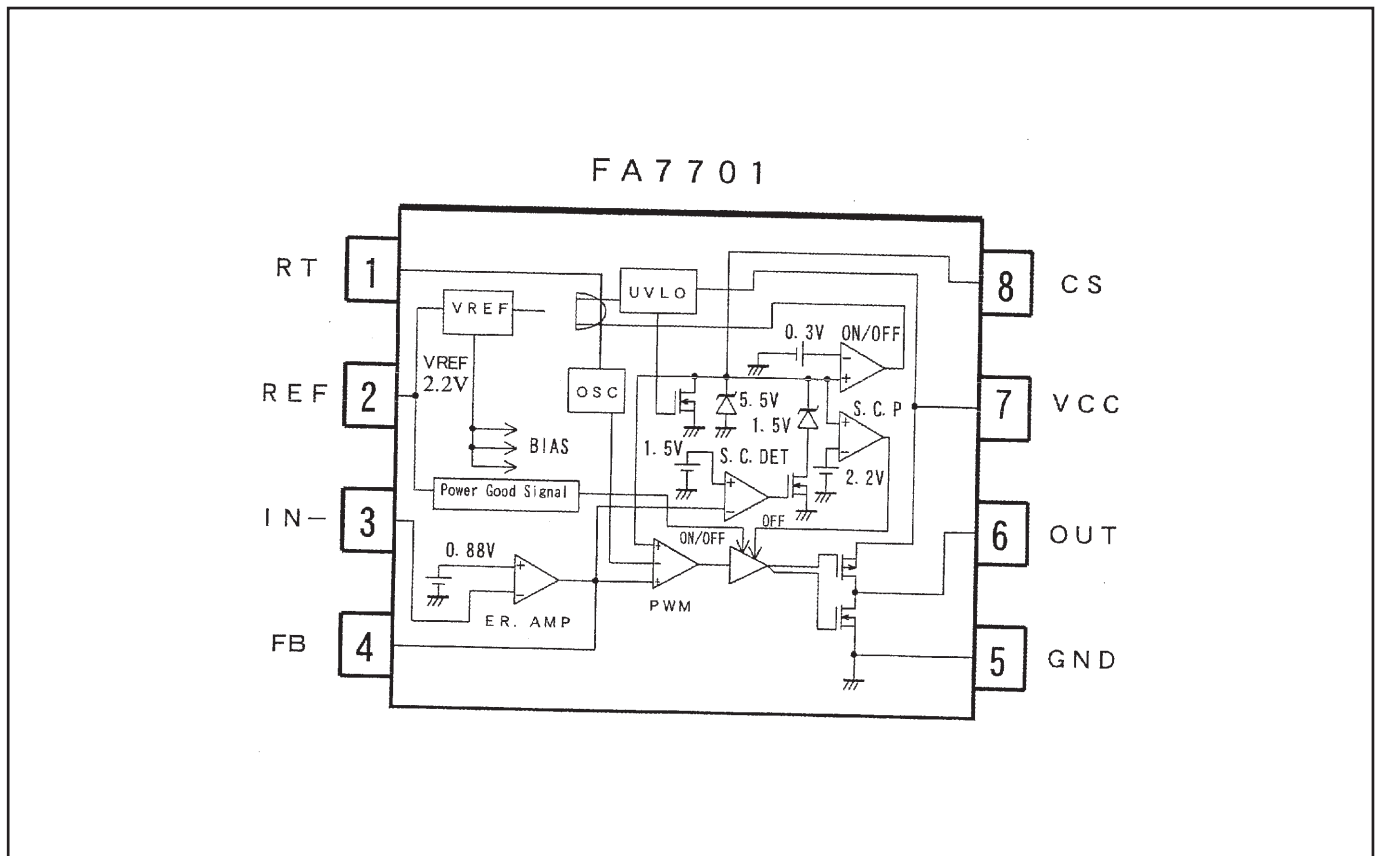
● CXD3540 <Digital Gamma Shift & LCD Driver, IC401>



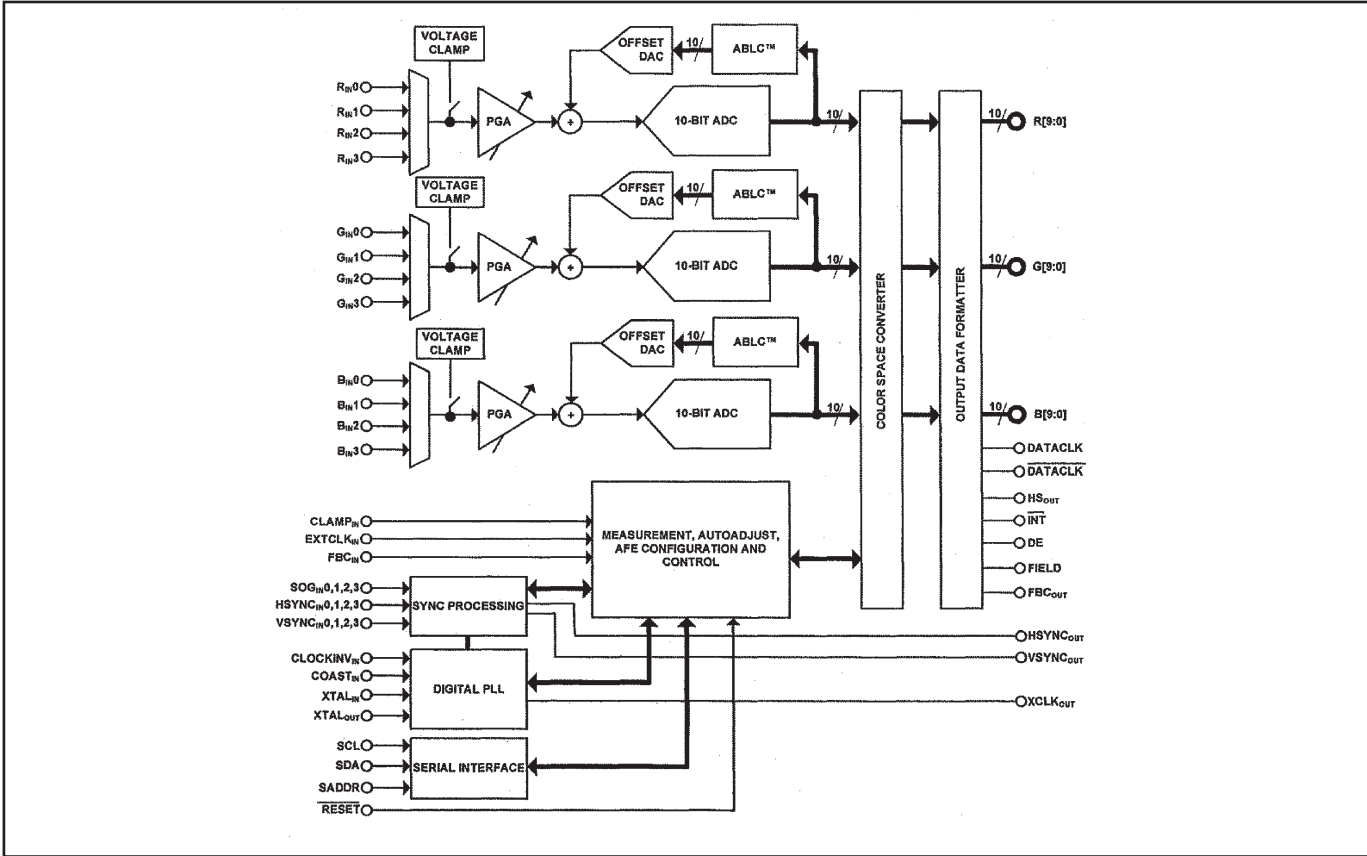
● DS16EV5110 <DVI Equalizer, IC8001>



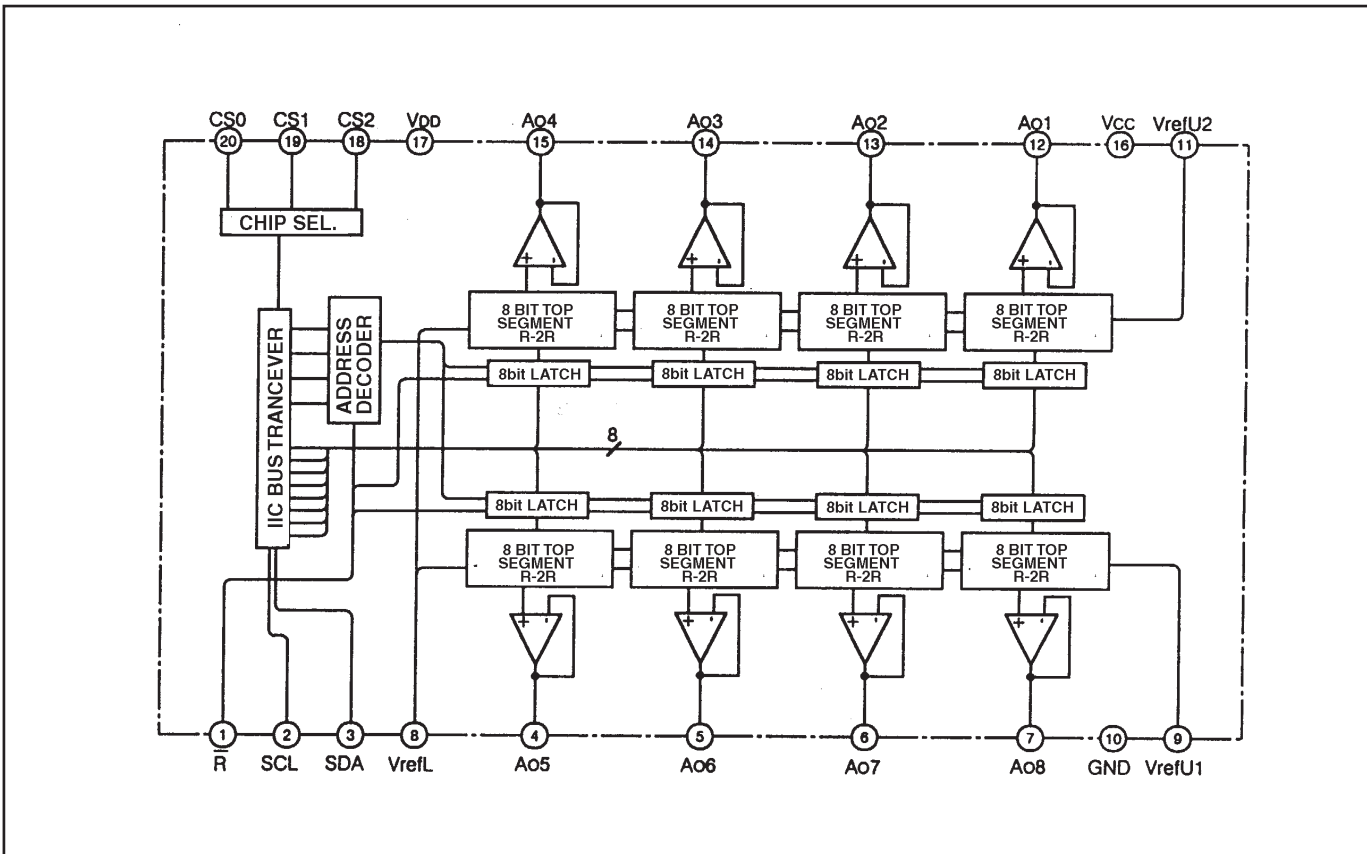
● FA7701 <Switching Controller, IC6606, IC7701, IC7721>



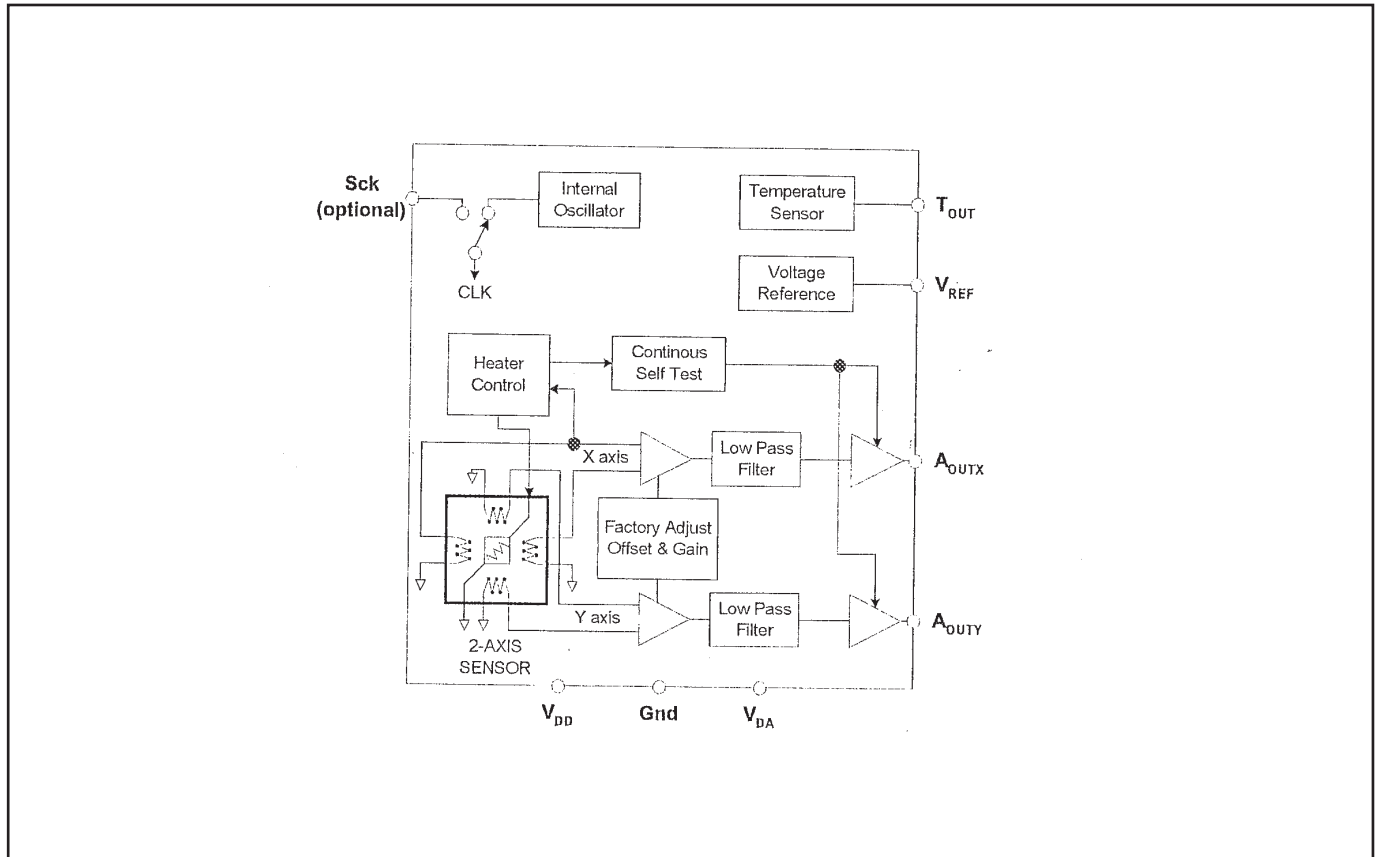
● ISL51002 <A/D Converter, IC2201>



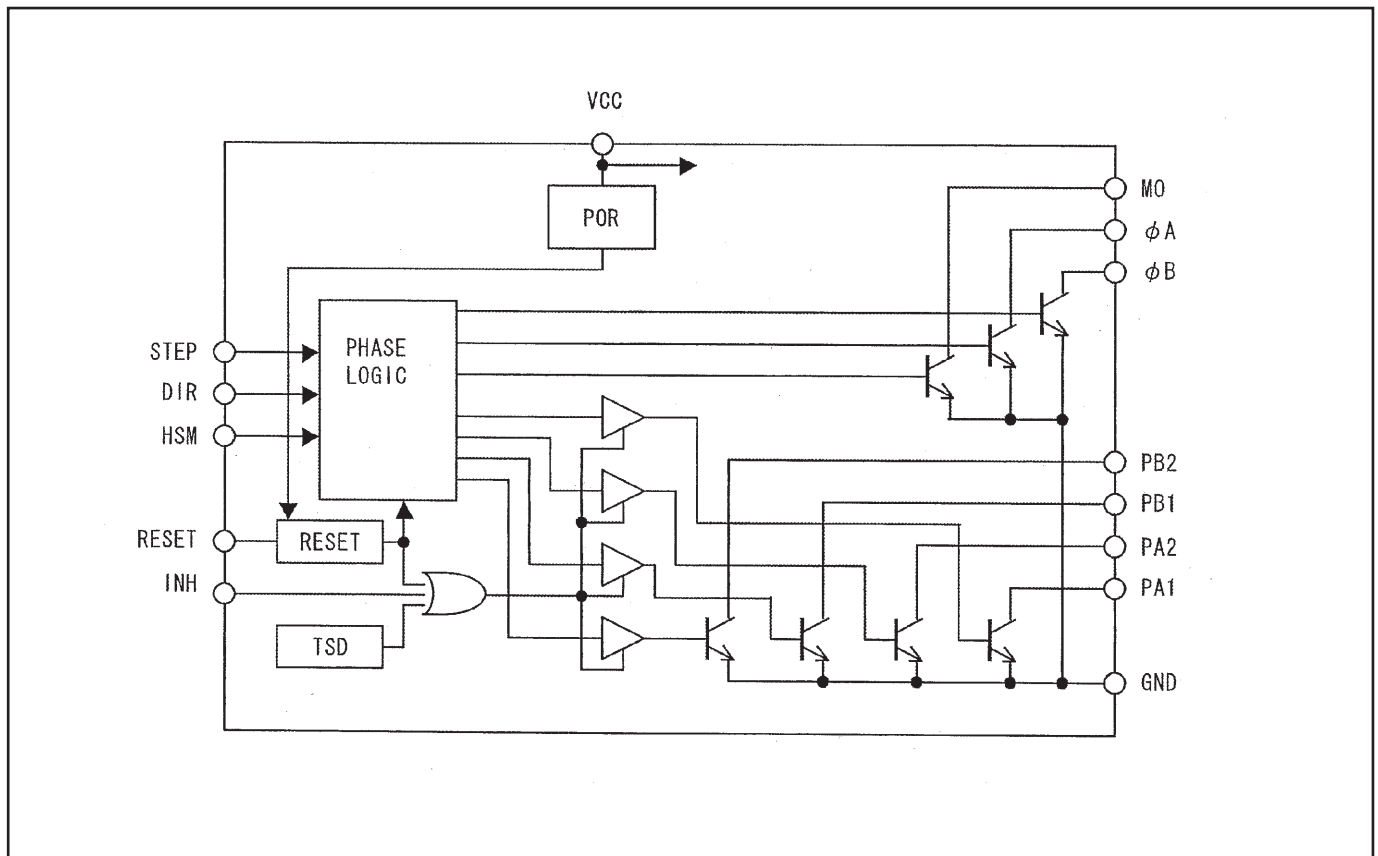
● M62393 <DAC, IC7801>



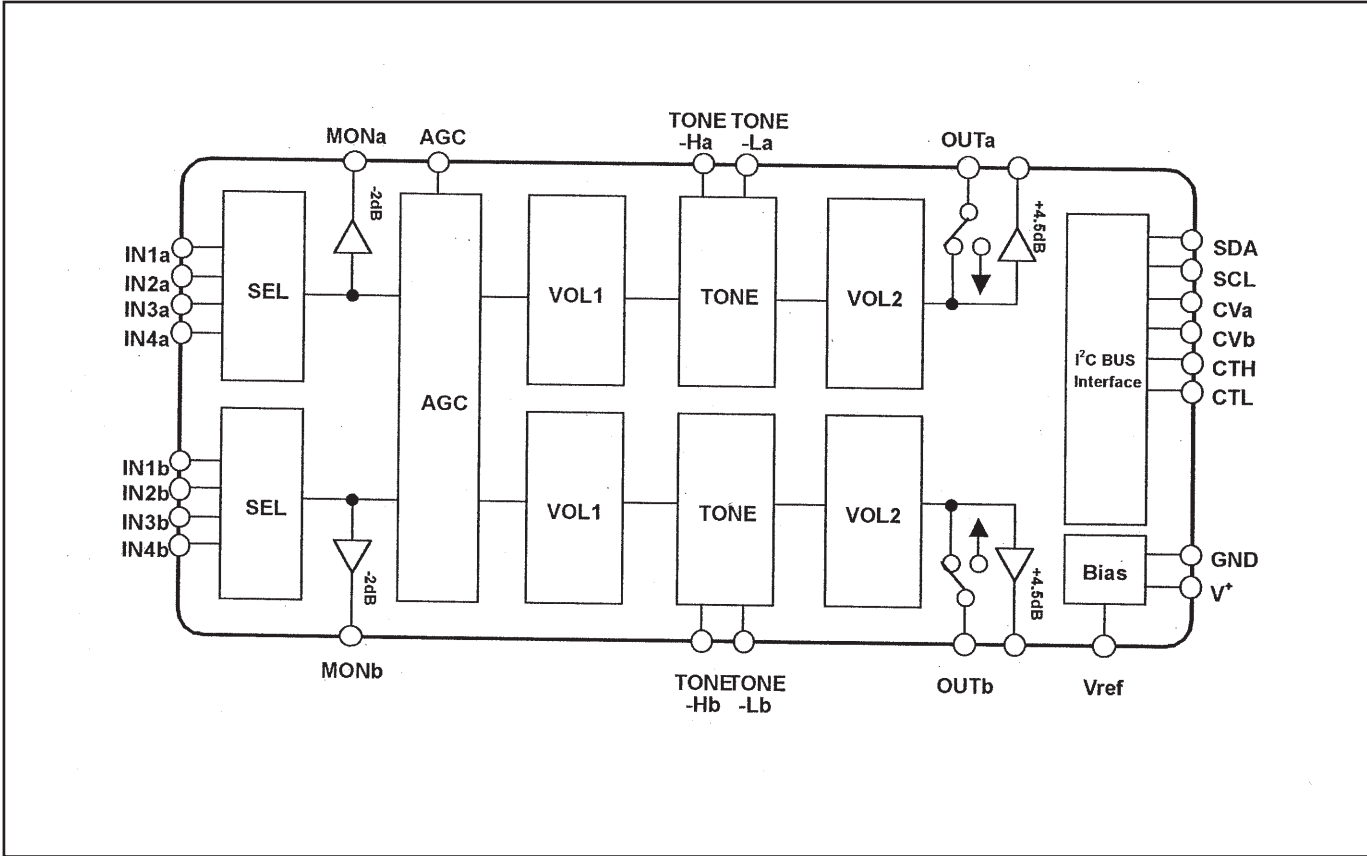
● MXA2500 <Dual Axis Accelerometer, IC1881, IC1882>



● NJM2671 <Motor Controller, IC5541>



● NJW1141M <Audio Control, IC6001>



● PW392 <Scaler, IC301>

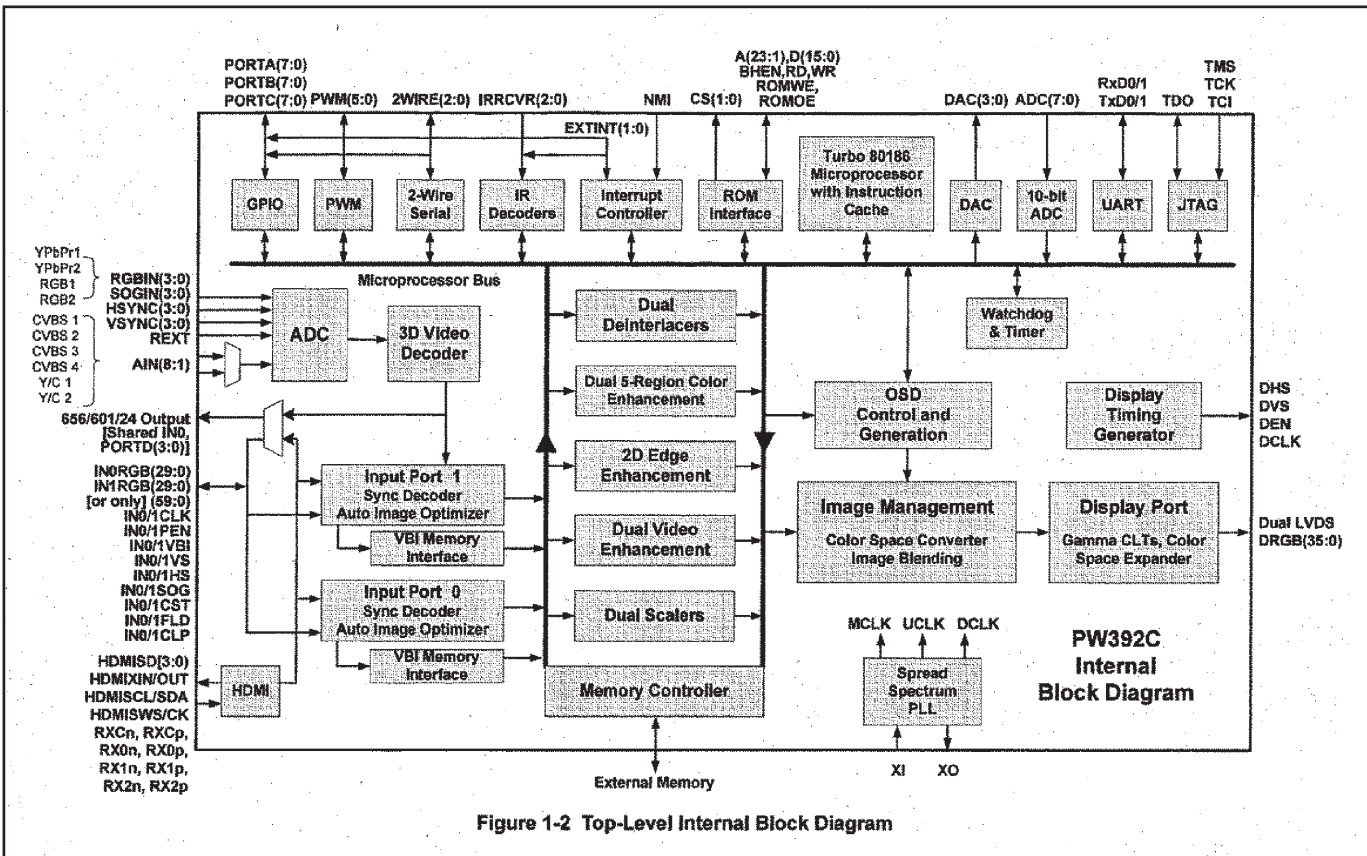
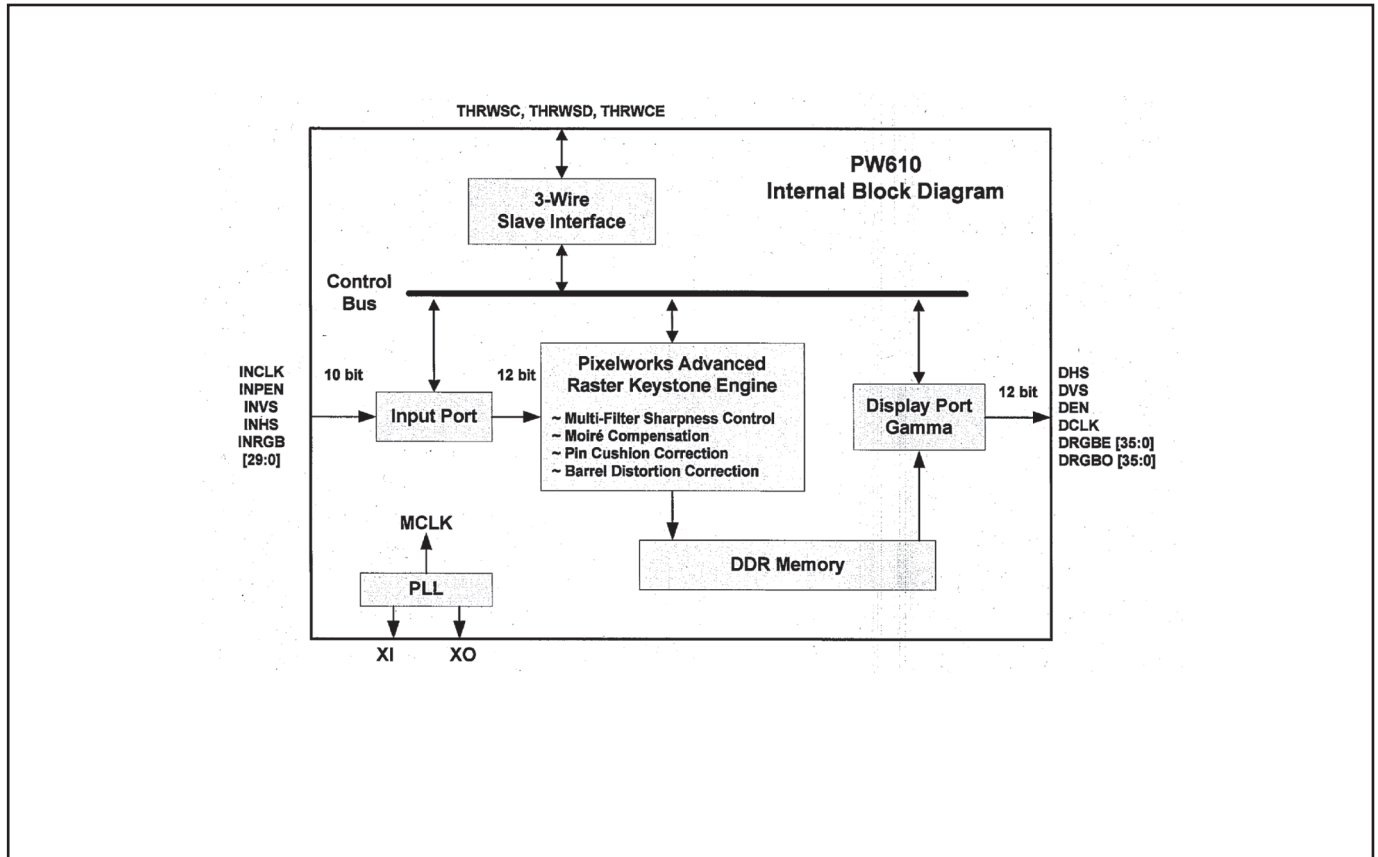
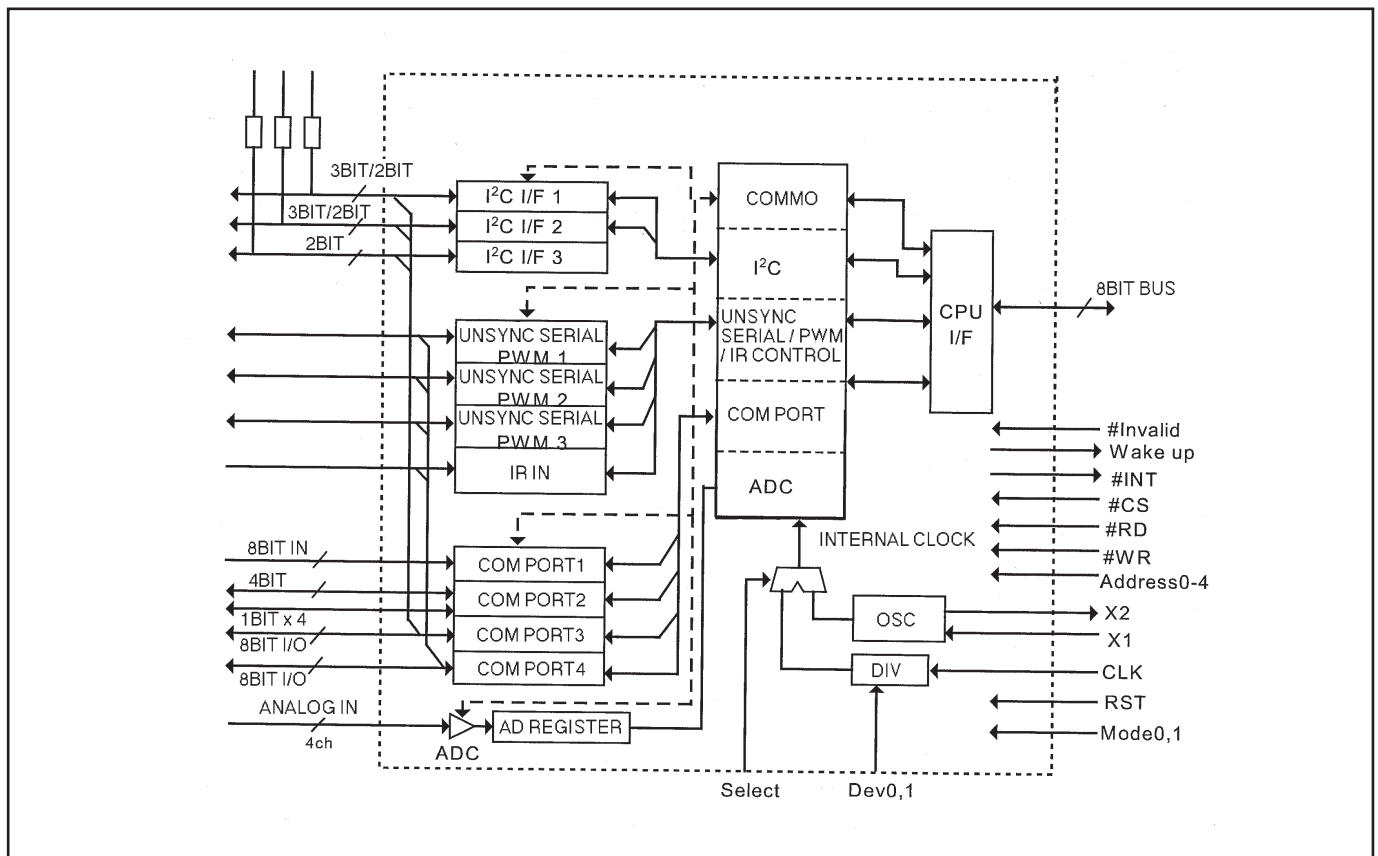


Figure 1-2 Top-Level Internal Block Diagram

● PW610 <Keystone, IC2301>



● TE7783 <I/O Expander, IC4801>

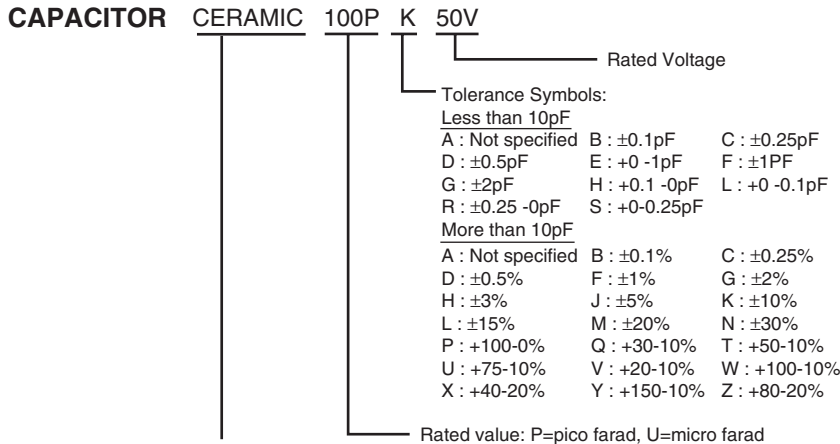


Electrical Parts List

Product safety should be considered when a component replacement is made in any area of a projector. Components indicated by a Δ mark in this parts list and the circuit diagram show components whose value have special significance to product safety. It is particularly recommended that only parts specified on the following parts list be used for components replacement pointed out by the mark.

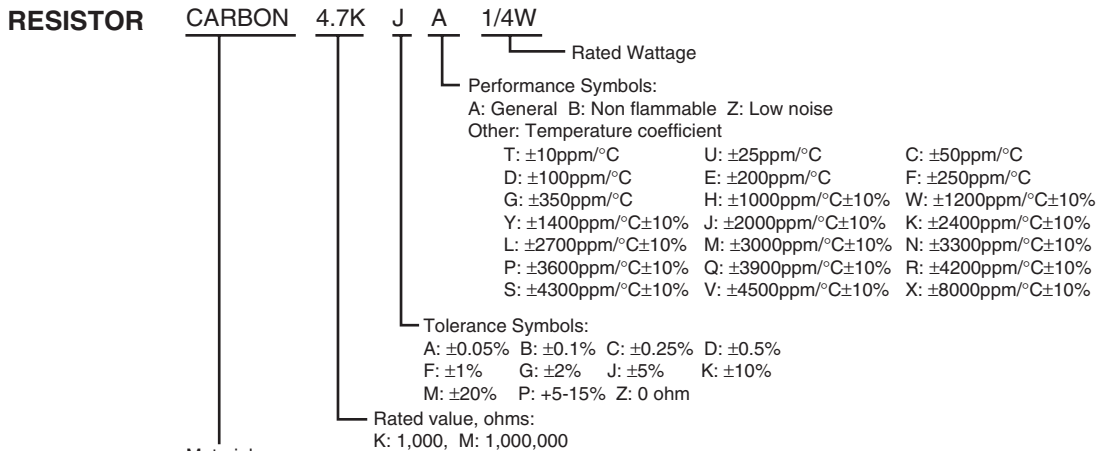
● Read Description in the parts list

Read description in the Capacitor and Resistor as follows:



Material:

- CERAMIC..... Ceramic
- MT-PAPER..... Metallized Paper
- POLYESTER..... Polyester
- MT-POLYEST.....Metallized Polyester
- POLYPRO..... Polypropylene
- MT-POLYPRO.....Metallized Polypropylene
- COMPO FILM..... Composite film
- MT-COMPO.....Metallized Composite
- STYRENE.....Styrene
- TA-SOLID..... Tantalum Oxide Solid Electrolytic
- AL-SOLID..... Aluminium Solid Electrolytic
- ELECT..... Aluminum Foil Electrolytic
- NP-ELECT..... Non-polarised Electrolytic
- OS-SOLID..... Aluminium Solid with Organic Semiconductive Electrolytic
- POS-SOLID..... Polymerized Organic Semiconductive
- DL-ELECT..... Double Layered Electrolytic
- PPS-FILM.....Polyphenylene Sulfide Film
- MT-PPS-FILM.....Metalized Polyphenylene Sulfide Film
- MT-PEN-FILM.....Metalized Polyethylenenaphthalate Film
- CAPACITOR.....Other



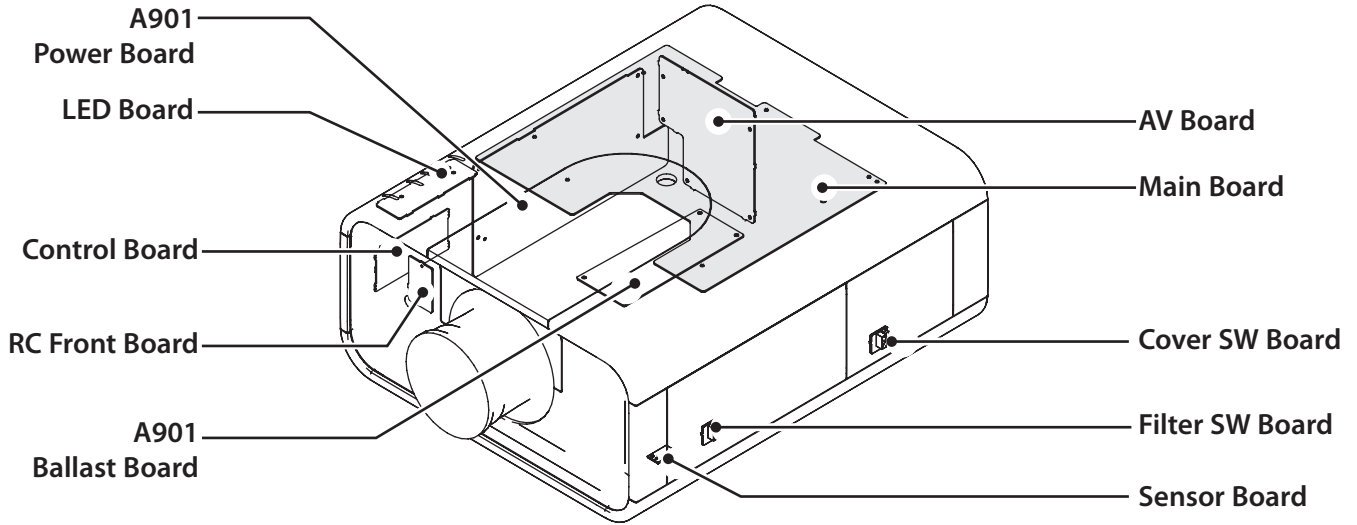
Material:

- CARBON..... Carbon
- MT-FILM..... Metal Film
- OXIDE-MT..... Oxide Metal Film
- SOLID..... Composition
- MT-GLAZE..... Metal Glaze
- WIRE WOUND... Wire Wound
- CERAMIC RES.. Ceramic
- FUSIBLE RES.... Fusible
- RESISTOROther

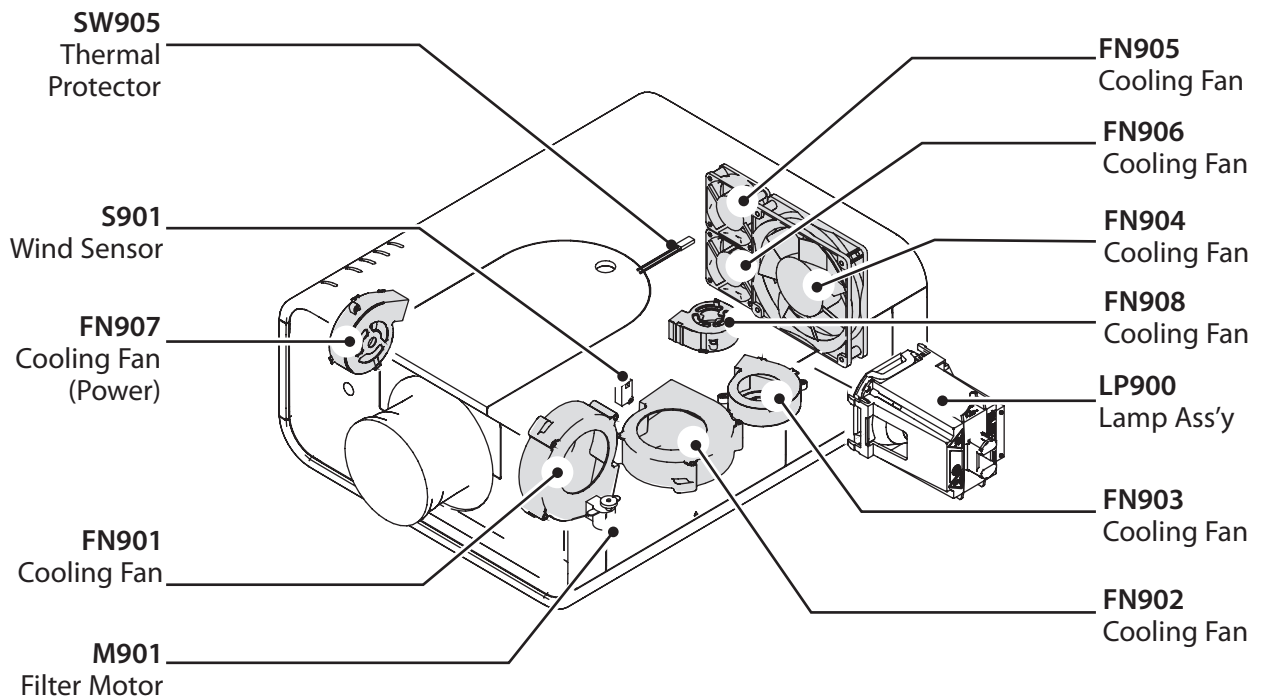
Electrical Parts List

Electrical Parts Location

● Assembled Boards



● Out Of Circuit Board



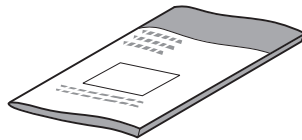
Electrical Parts List

● Accessories (see accessories parts list)

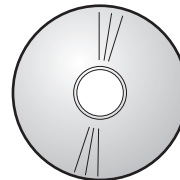
REMOTE CONTROL



QUICK SETUP GUIDE



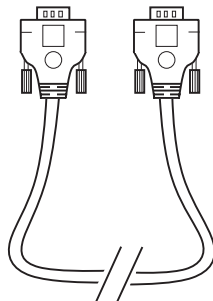
CD-ROM, OWNERS MANUAL



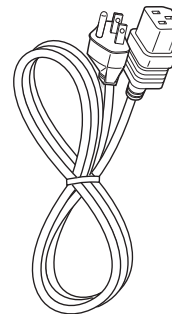
CABLE, USB



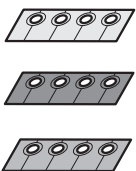
CABLE, INTERFACE



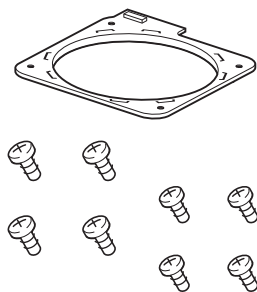
CORD, POWER



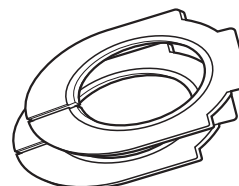
ASSY, SPACER



ASSY, COVER LENS



ASSY, MOUNTING LENS



Electrical Parts List

Electrical Parts List

Note: Parts order must contain Chassis No., Part No., and Descriptions.

Key No.	Part No.	Description	Key No.	Part No.	Description
ASSEMBLED BOARDS					
△	610 339 9683	ASSY,PWB,MAIN KR7AL		305 173 9915	TR 2SC3928A1S
△	610 339 9690	ASSY,PWB,CONTROL KR7AL	Q1345	305 134 5928	TR 2SA1037AK-T146-R
△	610 339 9706	ASSY,PWB,SENSOR KR7AL	Q1361	305 211 1918	TR RJU002N06
△	610 339 9638	ASSY,PWB,A/V KR7AL	Q1363	305 211 1918	TR RJU002N06
△	610 339 9645	ASSY,PWB,R/C FRONT KR7AL	Q1366	305 211 1918	TR RJU002N06
△	610 339 9652	ASSY,PWB,COVER SW KR7AL	Q1368	305 211 1918	TR RJU002N06
△	610 339 9669	ASSY,PWB,LED KR7AL	Q1391	305 211 1918	TR RJU002N06
△	610 339 9676	ASSY,PWB,FILTER SW KR7AL	Q1454	305 209 5713	TR FSS162-TL-E
			Q1457	305 014 4512	TR 2SC2412K T146 R
				305 014 4611	TR 2SC2412K T146 S
				305 015 8727	TR 2SC2812-L6-TB
				305 015 8925	TR 2SC2812-L7-TB
				305 163 1615	TR 2SC2812N-L6-TB0
				305 173 9816	TR 2SC3928A1R
				305 173 9915	TR 2SC3928A1S
			Q1458	305 209 5713	TR FSS162-TL-E
			Q1459	305 014 4512	TR 2SC2412K T146 R
				305 014 4611	TR 2SC2412K T146 S
				305 015 8727	TR 2SC2812-L6-TB
				305 015 8925	TR 2SC2812-L7-TB
				305 163 1615	TR 2SC2812N-L6-TB0
				305 173 9816	TR 2SC3928A1R
				305 173 9915	TR 2SC3928A1S
			Q1861	305 014 4512	TR 2SC2412K T146 R
				305 014 4611	TR 2SC2412K T146 S
				305 015 8727	TR 2SC2812-L6-TB
				305 015 8925	TR 2SC2812-L7-TB
				305 163 1615	TR 2SC2812N-L6-TB0
				305 173 9816	TR 2SC3928A1R
				305 173 9915	TR 2SC3928A1S
			Q2501	305 158 9213	TR IMZ4-T108
			Q2502	305 158 9213	TR IMZ4-T108
			Q251	305 014 4512	TR 2SC2412K T146 R
				305 014 4611	TR 2SC2412K T146 S
				305 015 8727	TR 2SC2812-L6-TB
				305 015 8925	TR 2SC2812-L7-TB
				305 163 1615	TR 2SC2812N-L6-TB0
				305 173 9816	TR 2SC3928A1R
				305 173 9915	TR 2SC3928A1S
			Q2531	305 158 9213	TR IMZ4-T108
			Q2532	305 158 9213	TR IMZ4-T108
			Q2561	305 158 9213	TR IMZ4-T108
			Q2562	305 158 9213	TR IMZ4-T108
			Q331	305 211 1918	TR RJU002N06
			Q381	305 211 1918	TR RJU002N06
			Q382	305 211 1918	TR RJU002N06
			Q4401	305 211 1918	TR RJU002N06
			Q4402	305 211 1918	TR RJU002N06
			Q4621	305 014 4512	TR 2SC2412K T146 R
				305 014 4611	TR 2SC2412K T146 S
				305 015 8727	TR 2SC2812-L6-TB
				305 015 8925	TR 2SC2812-L7-TB
				305 163 1615	TR 2SC2812N-L6-TB0
				305 173 9816	TR 2SC3928A1R
				305 173 9915	TR 2SC3928A1S
			Q4831	305 014 4512	TR 2SC2412K T146 R
				305 014 4611	TR 2SC2412K T146 S
				305 015 8727	TR 2SC2812-L6-TB
				305 015 8925	TR 2SC2812-L7-TB
				305 163 1615	TR 2SC2812N-L6-TB0
				305 173 9816	TR 2SC3928A1R
				305 173 9915	TR 2SC3928A1S
			Q4832	305 014 4512	TR 2SC2412K T146 R
OUT OF CIRCUIT BOARD					
L901	945 003 3811	CORE,FERRITE			
L902	945 003 3835	CORE,FERRITE			
L903	645 085 6051	CORE,FERRITE			
	945 050 8418	CORE,CLAMP			
L904	945 003 3835	CORE,FERRITE			
L905	945 003 3811	CORE,FERRITE			
L906	945 003 3811	CORE,FERRITE			
△ LP900	610 341 1941	COMPL,OPTICAL LMP-KR7AL			
△ A901	645 093 0980	UNIT,BALLAST			
△ A902	645 098 1647	UNIT,POWER(AC)			
△ FN901	645 093 0973	MOTOR,BLW DC 10.8W			
△ FN902	645 098 0497	MOTOR,BLW DC 12.0W			
△ FN903	645 098 0503	MOTOR,BLW DC 3.0W			
△ FN904	645 093 0959	MOTOR,FAN DC 2.52W			
△ FN905	645 093 0942	MOTOR,FAN DC 1.68W			
△ FN906	645 093 0942	MOTOR,FAN DC 1.68W			
△ FN907	645 098 0503	MOTOR,BLW DC 3.0W			
△ FN908	645 098 0084	MOTOR,BLW DC 1.92W			
△ M901	645 093 2571	MOTOR,DC 12V			
S901	645 093 2533	UNIT,WIND VELOCITY SENSOR			
△ SW905	610 343 2175	CABLE,THERMOSTAT SERVICE KR7AL			
	610 342 8161	CABLE,BALLAST SERVICE KR7AL			
△ FUSE	323 027 2605	FUSE 250V 10A			
SERVICE TOOL					
	610 343 5596	CD-ROM,PJ SVC TOOL V420			
610 339 9683 ASSY,PWB,MAIN KR7AL					
TRANSISTOR					
Q1341	305 014 4512	TR 2SC2412K T146 R			
	305 014 4611	TR 2SC2412K T146 S			
	305 015 8727	TR 2SC2812-L6-TB			
	305 015 8925	TR 2SC2812-L7-TB			
	305 163 1615	TR 2SC2812N-L6-TB0			
	305 173 9816	TR 2SC3928A1R			
	305 173 9915	TR 2SC3928A1S			
Q1342	305 134 5928	TR 2SA1037AK-T146-R			
Q1343	305 134 5928	TR 2SA1037AK-T146-R			
Q1344	305 014 4512	TR 2SC2412K T146 R			
	305 014 4611	TR 2SC2412K T146 S			
	305 015 8727	TR 2SC2812-L6-TB			
	305 015 8925	TR 2SC2812-L7-TB			
	305 163 1615	TR 2SC2812N-L6-TB0			
	305 173 9816	TR 2SC3928A1R			

Electrical Parts List

Key No.	Part No.	Description	Key No.	Part No.	Description
	305 014 4611	TR 2SC2412K T146 S		305 015 8925	TR 2SC2812-L7-TB
	305 015 8727	TR 2SC2812-L6-TB		305 163 1615	TR 2SC2812N-L6-TB0
	305 015 8925	TR 2SC2812-L7-TB		305 173 9816	TR 2SC3928A1R
	305 163 1615	TR 2SC2812N-L6-TB0		305 173 9915	TR 2SC3928A1S
	305 173 9816	TR 2SC3928A1R	Q5856	305 014 4512	TR 2SC2412K T146 R
Q4833	305 173 9915	TR 2SC3928A1S		305 014 4611	TR 2SC2412K T146 S
	305 014 4512	TR 2SC2412K T146 R		305 015 8727	TR 2SC2812-L6-TB
	305 014 4611	TR 2SC2412K T146 S		305 015 8925	TR 2SC2812-L7-TB
	305 015 8727	TR 2SC2812-L6-TB		305 163 1615	TR 2SC2812N-L6-TB0
	305 015 8925	TR 2SC2812-L7-TB		305 173 9816	TR 2SC3928A1R
	305 163 1615	TR 2SC2812N-L6-TB0		305 173 9915	TR 2SC3928A1S
	305 173 9816	TR 2SC3928A1R	Q5861	305 134 5928	TR 2SA1037AK-T146-R
	305 173 9915	TR 2SC3928A1S	Q5862	305 014 4512	TR 2SC2412K T146 R
Q4834	305 014 4512	TR 2SC2412K T146 R		305 014 4611	TR 2SC2412K T146 S
	305 014 4611	TR 2SC2412K T146 S		305 015 8727	TR 2SC2812-L6-TB
	305 015 8727	TR 2SC2812-L6-TB		305 015 8925	TR 2SC2812-L7-TB
	305 015 8925	TR 2SC2812-L7-TB		305 163 1615	TR 2SC2812N-L6-TB0
	305 163 1615	TR 2SC2812N-L6-TB0		305 173 9816	TR 2SC3928A1R
	305 173 9816	TR 2SC3928A1R		305 173 9915	TR 2SC3928A1S
	305 173 9915	TR 2SC3928A1S	Q5863	305 217 7518	TR RN1102 TE85L
Q5251	305 014 4512	TR 2SC2412K T146 R	Q5864	305 134 5928	TR 2SA1037AK-T146-R
	305 014 4611	TR 2SC2412K T146 S	Q5869	305 014 4512	TR 2SC2412K T146 R
	305 015 8727	TR 2SC2812-L6-TB		305 014 4611	TR 2SC2412K T146 S
	305 015 8925	TR 2SC2812-L7-TB		305 015 8727	TR 2SC2812-L6-TB
	305 163 1615	TR 2SC2812N-L6-TB0		305 015 8925	TR 2SC2812-L7-TB
	305 173 9816	TR 2SC3928A1R		305 163 1615	TR 2SC2812N-L6-TB0
	305 173 9915	TR 2SC3928A1S		305 173 9816	TR 2SC3928A1R
Q5252	305 014 4512	TR 2SC2412K T146 R		305 173 9915	TR 2SC3928A1S
	305 014 4611	TR 2SC2412K T146 S	Q5894	305 014 4512	TR 2SC2412K T146 R
	305 015 8727	TR 2SC2812-L6-TB		305 014 4611	TR 2SC2412K T146 S
	305 015 8925	TR 2SC2812-L7-TB		305 015 8727	TR 2SC2812-L6-TB
	305 163 1615	TR 2SC2812N-L6-TB0		305 015 8925	TR 2SC2812-L7-TB
	305 173 9816	TR 2SC3928A1R		305 163 1615	TR 2SC2812N-L6-TB0
	305 173 9915	TR 2SC3928A1S		305 173 9816	TR 2SC3928A1R
Q5501	305 014 4512	TR 2SC2412K T146 R		305 173 9915	TR 2SC3928A1S
	305 014 4611	TR 2SC2412K T146 S	Q6501	305 014 4512	TR 2SC2412K T146 R
	305 015 8727	TR 2SC2812-L6-TB		305 014 4611	TR 2SC2412K T146 S
	305 015 8925	TR 2SC2812-L7-TB		305 015 8727	TR 2SC2812-L6-TB
	305 163 1615	TR 2SC2812N-L6-TB0		305 015 8925	TR 2SC2812-L7-TB
	305 173 9816	TR 2SC3928A1R		305 163 1615	TR 2SC2812N-L6-TB0
	305 173 9915	TR 2SC3928A1S		305 173 9816	TR 2SC3928A1R
Q5521	305 014 4512	TR 2SC2412K T146 R		305 173 9915	TR 2SC3928A1S
	305 014 4611	TR 2SC2412K T146 S	Q6521	305 014 4512	TR 2SC2412K T146 R
	305 015 8727	TR 2SC2812-L6-TB		305 014 4611	TR 2SC2412K T146 S
	305 015 8925	TR 2SC2812-L7-TB		305 015 8727	TR 2SC2812-L6-TB
	305 163 1615	TR 2SC2812N-L6-TB0		305 015 8925	TR 2SC2812-L7-TB
	305 173 9816	TR 2SC3928A1R		305 163 1615	TR 2SC2812N-L6-TB0
	305 173 9915	TR 2SC3928A1S		305 173 9816	TR 2SC3928A1R
Q5561	305 014 4512	TR 2SC2412K T146 R		305 173 9915	TR 2SC3928A1S
	305 014 4611	TR 2SC2412K T146 S	Q6611	305 217 8515	TR RSQ025P03-TR
	305 015 8727	TR 2SC2812-L6-TB	Q6612	305 047 9010	TR 2SB1204-S-TL-E
	305 015 8925	TR 2SC2812-L7-TB	Q6613	305 014 4512	TR 2SC2412K T146 R
	305 163 1615	TR 2SC2812N-L6-TB0		305 014 4611	TR 2SC2412K T146 S
	305 173 9816	TR 2SC3928A1R		305 015 8727	TR 2SC2812-L6-TB
	305 173 9915	TR 2SC3928A1S		305 015 8925	TR 2SC2812-L7-TB
Q5671	305 002 8327	TR 2SA1203-Y-TE12L		305 163 1615	TR 2SC2812N-L6-TB0
Q5672	305 217 4913	TR RN1111 TE85L		305 173 9816	TR 2SC3928A1R
Q5848	305 014 4512	TR 2SC2412K T146 R		305 173 9915	TR 2SC3928A1S
	305 014 4611	TR 2SC2412K T146 S	Q6621	305 014 4512	TR 2SC2412K T146 R
	305 015 8727	TR 2SC2812-L6-TB		305 014 4611	TR 2SC2412K T146 S
	305 015 8925	TR 2SC2812-L7-TB		305 015 8727	TR 2SC2812-L6-TB
	305 163 1615	TR 2SC2812N-L6-TB0		305 015 8925	TR 2SC2812-L7-TB
	305 173 9816	TR 2SC3928A1R		305 163 1615	TR 2SC2812N-L6-TB0
	305 173 9915	TR 2SC3928A1S		305 173 9816	TR 2SC3928A1R
Q5855	305 014 4512	TR 2SC2412K T146 R		305 173 9915	TR 2SC3928A1S
	305 014 4611	TR 2SC2412K T146 S	Q6622	305 014 4512	TR 2SC2412K T146 R
	305 015 8727	TR 2SC2812-L6-TB		305 014 4611	TR 2SC2412K T146 S

Electrical Parts List

Key No.	Part No.	Description	Key No.	Part No.	Description
	305 015 8727	TR 2SC2812-L6-TB		305 173 9915	TR 2SC3928A1S
	305 015 8925	TR 2SC2812-L7-TB	Q7821	305 014 4512	TR 2SC2412K T146 R
	305 163 1615	TR 2SC2812N-L6-TB0		305 014 4611	TR 2SC2412K T146 S
	305 173 9816	TR 2SC3928A1R		305 015 8727	TR 2SC2812-L6-TB
	305 173 9915	TR 2SC3928A1S		305 015 8925	TR 2SC2812-L7-TB
Q6691	305 014 4512	TR 2SC2412K T146 R		305 163 1615	TR 2SC2812N-L6-TB0
	305 014 4611	TR 2SC2412K T146 S		305 173 9816	TR 2SC3928A1R
	305 015 8727	TR 2SC2812-L6-TB		305 173 9915	TR 2SC3928A1S
	305 015 8925	TR 2SC2812-L7-TB	Q7841	305 014 4512	TR 2SC2412K T146 R
	305 163 1615	TR 2SC2812N-L6-TB0		305 014 4611	TR 2SC2412K T146 S
	305 173 9816	TR 2SC3928A1R		305 015 8727	TR 2SC2812-L6-TB
	305 173 9915	TR 2SC3928A1S		305 015 8925	TR 2SC2812-L7-TB
Q6692	305 209 5713	TR FSS162-TL-E		305 163 1615	TR 2SC2812N-L6-TB0
Q6693	305 014 4512	TR 2SC2412K T146 R		305 173 9816	TR 2SC3928A1R
	305 014 4611	TR 2SC2412K T146 S		305 173 9915	TR 2SC3928A1S
	305 015 8727	TR 2SC2812-L6-TB	Q7842	305 014 4512	TR 2SC2412K T146 R
	305 015 8925	TR 2SC2812-L7-TB		305 014 4611	TR 2SC2412K T146 S
	305 163 1615	TR 2SC2812N-L6-TB0		305 015 8727	TR 2SC2812-L6-TB
	305 173 9816	TR 2SC3928A1R		305 015 8925	TR 2SC2812-L7-TB
	305 173 9915	TR 2SC3928A1S		305 163 1615	TR 2SC2812N-L6-TB0
Q6694	305 209 5713	TR FSS162-TL-E		305 173 9816	TR 2SC3928A1R
Q6696	305 213 7710	TR UPA1730TP-E1		305 173 9915	TR 2SC3928A1S
Q7701	305 209 5713	TR FSS162-TL-E	Q7843	305 014 4512	TR 2SC2412K T146 R
Q7702	305 139 7719	TR IMZ1A-T108		305 014 4611	TR 2SC2412K T146 S
Q7721	305 209 5713	TR FSS162-TL-E		305 015 8727	TR 2SC2812-L6-TB
Q7722	305 139 7719	TR IMZ1A-T108		305 015 8925	TR 2SC2812-L7-TB
Q7782	305 014 4512	TR 2SC2412K T146 R		305 163 1615	TR 2SC2812N-L6-TB0
	305 014 4611	TR 2SC2412K T146 S		305 173 9816	TR 2SC3928A1R
	305 015 8727	TR 2SC2812-L6-TB		305 173 9915	TR 2SC3928A1S
	305 015 8925	TR 2SC2812-L7-TB	Q7861	305 014 4512	TR 2SC2412K T146 R
	305 163 1615	TR 2SC2812N-L6-TB0		305 014 4611	TR 2SC2412K T146 S
	305 173 9816	TR 2SC3928A1R		305 015 8727	TR 2SC2812-L6-TB
	305 173 9915	TR 2SC3928A1S		305 015 8925	TR 2SC2812-L7-TB
Q7783	305 014 4512	TR 2SC2412K T146 R		305 163 1615	TR 2SC2812N-L6-TB0
	305 014 4611	TR 2SC2412K T146 S		305 173 9816	TR 2SC3928A1R
	305 015 8727	TR 2SC2812-L6-TB		305 173 9915	TR 2SC3928A1S
	305 015 8925	TR 2SC2812-L7-TB	Q7881	305 014 4512	TR 2SC2412K T146 R
	305 163 1615	TR 2SC2812N-L6-TB0		305 014 4611	TR 2SC2412K T146 S
	305 173 9816	TR 2SC3928A1R		305 015 8727	TR 2SC2812-L6-TB
	305 173 9915	TR 2SC3928A1S		305 015 8925	TR 2SC2812-L7-TB
Q7784	305 014 4512	TR 2SC2412K T146 R		305 163 1615	TR 2SC2812N-L6-TB0
	305 014 4611	TR 2SC2412K T146 S		305 173 9816	TR 2SC3928A1R
	305 015 8727	TR 2SC2812-L6-TB		305 173 9915	TR 2SC3928A1S
	305 015 8925	TR 2SC2812-L7-TB	Q7891	305 014 4512	TR 2SC2412K T146 R
	305 163 1615	TR 2SC2812N-L6-TB0		305 014 4611	TR 2SC2412K T146 S
	305 173 9816	TR 2SC3928A1R		305 015 8727	TR 2SC2812-L6-TB
	305 173 9915	TR 2SC3928A1S		305 015 8925	TR 2SC2812-L7-TB
Q7792	305 014 4512	TR 2SC2412K T146 R		305 163 1615	TR 2SC2812N-L6-TB0
	305 014 4611	TR 2SC2412K T146 S		305 173 9816	TR 2SC3928A1R
	305 015 8727	TR 2SC2812-L6-TB		305 173 9915	TR 2SC3928A1S
	305 015 8925	TR 2SC2812-L7-TB	Q7921	305 014 4512	TR 2SC2412K T146 R
	305 163 1615	TR 2SC2812N-L6-TB0		305 014 4611	TR 2SC2412K T146 S
	305 173 9816	TR 2SC3928A1R		305 015 8727	TR 2SC2812-L6-TB
	305 173 9915	TR 2SC3928A1S		305 015 8925	TR 2SC2812-L7-TB
Q7793	305 014 4512	TR 2SC2412K T146 R		305 163 1615	TR 2SC2812N-L6-TB0
	305 014 4611	TR 2SC2412K T146 S		305 173 9816	TR 2SC3928A1R
	305 015 8727	TR 2SC2812-L6-TB		305 173 9915	TR 2SC3928A1S
	305 015 8925	TR 2SC2812-L7-TB	Q7942	305 014 4512	TR 2SC2412K T146 R
	305 163 1615	TR 2SC2812N-L6-TB0		305 014 4611	TR 2SC2412K T146 S
	305 173 9816	TR 2SC3928A1R		305 015 8727	TR 2SC2812-L6-TB
	305 173 9915	TR 2SC3928A1S		305 015 8925	TR 2SC2812-L7-TB
Q7794	305 014 4512	TR 2SC2412K T146 R		305 163 1615	TR 2SC2812N-L6-TB0
	305 014 4611	TR 2SC2412K T146 S		305 173 9816	TR 2SC3928A1R
	305 015 8727	TR 2SC2812-L6-TB		305 173 9915	TR 2SC3928A1S
	305 015 8925	TR 2SC2812-L7-TB	Q8061	305 217 5019	TR RN1117 TE85L
	305 163 1615	TR 2SC2812N-L6-TB0	Q831	305 014 4512	TR 2SC2412K T146 R
	305 173 9816	TR 2SC3928A1R		305 014 4611	TR 2SC2412K T146 S

Electrical Parts List

Key No.	Part No.	Description	Key No.	Part No.	Description
	305 015 8727	TR 2SC2812-L6-TB		305 173 9816	TR 2SC3928A1R
	305 015 8925	TR 2SC2812-L7-TB		305 173 9915	TR 2SC3928A1S
	305 163 1615	TR 2SC2812N-L6-TB0	Q9832	305 217 8515	TR RSQ025P03-TR
	305 173 9816	TR 2SC3928A1R			INTEGRATED CIRCUIT
Q832	305 173 9915	TR 2SC3928A1S	IC1301	310 616 3402	IC PST413A300NR
	305 014 4512	TR 2SC2412K T146 R	IC1302	409 685 8913	IC NJU7708F27(Te1)
	305 014 4611	TR 2SC2412K T146 S	IC1311	410 643 4400	IC EDD2516AETA-5B-E
	305 015 8727	TR 2SC2812-L6-TB	IC1331	410 643 4400	IC EDD2516AETA-5B-E
	305 015 8925	TR 2SC2812-L7-TB	IC1371	309 439 8919	IC TC7WH125FU
	305 163 1615	TR 2SC2812N-L6-TB0	IC1372	309 439 8919	IC TC7WH125FU
	305 173 9816	TR 2SC3928A1R	IC1381	309 488 5924	IC TC7WH04FK-TE85L
	305 173 9915	TR 2SC3928A1S	IC1382	309 471 6713	IC TC7WH00FK(Te85L)
Q835	305 014 4512	TR 2SC2412K T146 R	IC1387	310 538 4907	IC 24LC64T-I/SNG
	305 014 4611	TR 2SC2412K T146 S	IC1391	310 595 8009	IC PQ1LAX95MSPQ
	305 015 8727	TR 2SC2812-L6-TB	IC1401	410 628 4906	IC TC7WBL125AFK(T5L,F
	305 015 8925	TR 2SC2812-L7-TB	IC1402	309 487 5727	IC TC7SZ125FU
	305 163 1615	TR 2SC2812N-L6-TB0	IC1441	410 643 5100	IC PQ070XNB1ZPH
	305 173 9816	TR 2SC3928A1R	IC1451	310 595 8009	IC PQ1LAX95MSPQ
	305 173 9915	TR 2SC3928A1S	IC1481	410 628 4906	IC TC7WBL125AFK(T5L,F
Q836	305 014 4512	TR 2SC2412K T146 R	IC1482	309 330 2511	IC TC7SH04FU-(Te85L)
	305 014 4611	TR 2SC2412K T146 S	IC1491	309 672 9018	IC PCA9544APW
	305 015 8727	TR 2SC2812-L6-TB	IC1871	310 362 6603	IC TC74ACT541FT
	305 015 8925	TR 2SC2812-L7-TB	IC1872	310 362 6603	IC TC74ACT541FT
	305 163 1615	TR 2SC2812N-L6-TB0	IC1873	309 330 2511	IC TC7SH04FU-(Te85L)
	305 173 9816	TR 2SC3928A1R	IC1875	310 362 6603	IC TC74ACT541FT
	305 173 9915	TR 2SC3928A1S	IC1881	309 644 3310	IC MXA2500EL
Q839	305 014 4512	TR 2SC2412K T146 R	IC1882	309 644 3310	IC MXA2500EL
	305 014 4611	TR 2SC2412K T146 S	IC211	309 536 5514	IC AD8074ARUZ-REEL
	305 015 8727	TR 2SC2812-L6-TB	IC221	309 536 5514	IC AD8074ARUZ-REEL
	305 015 8925	TR 2SC2812-L7-TB	IC2251	310 595 8009	IC PQ1LAX95MSPQ
	305 163 1615	TR 2SC2812N-L6-TB0	IC2261	410 643 5100	IC PQ070XNB1ZPH
	305 173 9816	TR 2SC3928A1R	IC2301	409 693 6017	IC PW610-10G
	305 173 9915	TR 2SC3928A1S	IC231	309 536 5514	IC AD8074ARUZ-REEL
Q841	305 014 4512	TR 2SC2412K T146 R	IC2371	409 685 9415	IC MP2307DN
	305 014 4611	TR 2SC2412K T146 S	IC2381	410 643 5100	IC PQ070XNB1ZPH
	305 015 8727	TR 2SC2812-L6-TB	IC2391	310 595 8009	IC PQ1LAX95MSPQ
	305 015 8925	TR 2SC2812-L7-TB	IC261	309 520 5513	IC TC7WZ08FU
	305 163 1615	TR 2SC2812N-L6-TB0	IC262	309 520 5513	IC TC7WZ08FU
	305 173 9816	TR 2SC3928A1R	IC2801	309 334 0137	IC TC7W125FU
	305 173 9915	TR 2SC3928A1S	IC2802	309 394 9310	IC TC7SH14FU(Te85L)
Q842	305 014 4512	TR 2SC2412K T146 R	IC2803	309 394 9310	IC TC7SH14FU(Te85L)
	305 014 4611	TR 2SC2412K T146 S	IC2811	310 596 0002	IC 74LVC1G125GW,125
	305 015 8727	TR 2SC2812-L6-TB	IC301	409 686 5317	IC PW392C-30L
	305 015 8925	TR 2SC2812-L7-TB	IC3431	409 685 9415	IC MP2307DN
	305 163 1615	TR 2SC2812N-L6-TB0	IC3441	310 595 8009	IC PQ1LAX95MSPQ
	305 173 9816	TR 2SC3928A1R	IC401	409 680 7317	IC CXD3540AGB
	305 173 9915	TR 2SC3928A1S	IC4481	310 595 8009	IC PQ1LAX95MSPQ
Q843	305 014 4512	TR 2SC2412K T146 R	IC4711	309 439 8919	IC TC7WH125FU
	305 014 4611	TR 2SC2412K T146 S	IC4712	309 439 8919	IC TC7WH125FU
	305 015 8727	TR 2SC2812-L6-TB	IC4726	309 439 8919	IC TC7WH125FU
	305 015 8925	TR 2SC2812-L7-TB	IC4727	309 439 8919	IC TC7WH125FU
	305 163 1615	TR 2SC2812N-L6-TB0	IC4801	309 671 7817	IC TE7783APF
	305 173 9816	TR 2SC3928A1R		309 633 6117	IC TE7783PF
	305 173 9915	TR 2SC3928A1S	IC5291	410 643 5100	IC PQ070XNB1ZPH
Q9209	405 221 3510	TR RHP020N06	IC5501	309 362 1127	IC BA6287F
Q9807	305 014 4512	TR 2SC2412K T146 R	IC5521	309 362 1127	IC BA6287F
	305 014 4611	TR 2SC2412K T146 S	IC5541	409 684 3919	IC NJM2671E2(Te1)
	305 015 8727	TR 2SC2812-L6-TB	IC5542	309 461 7822	IC PQ20WZ11
	305 015 8925	TR 2SC2812-L7-TB	IC5551	309 394 9310	IC TC7SH14FU(Te85L)
	305 163 1615	TR 2SC2812N-L6-TB0	IC5552	309 394 9310	IC TC7SH14FU(Te85L)
	305 173 9816	TR 2SC3928A1R	IC5561	309 362 1127	IC BA6287F
	305 173 9915	TR 2SC3928A1S	IC5611	409 685 9415	IC MP2307DN
Q9808	305 014 4512	TR 2SC2412K T146 R	IC5621	310 595 8009	IC PQ1LAX95MSPQ
	305 014 4611	TR 2SC2412K T146 S	IC5631	310 595 8009	IC PQ1LAX95MSPQ
	305 015 8727	TR 2SC2812-L6-TB	IC5651	409 685 9415	IC MP2307DN
	305 015 8925	TR 2SC2812-L7-TB	IC5661	310 595 8009	IC PQ1LAX95MSPQ
	305 163 1615	TR 2SC2812N-L6-TB0	IC5674	310 595 8009	IC PQ1LAX95MSPQ

Electrical Parts List

Key No.	Part No.	Description	Key No.	Part No.	Description
IC5681	410 643 5100	IC PQ070XNB1ZPH	C1342	303 409 3426	CERAMIC 0.1U K 16V
IC5881	309 416 6518	IC BA05FP-E2	C1343	303 409 3426	CERAMIC 0.1U K 16V
IC5882	309 497 6315	IC BA09FP-E2	C1344	303 409 3426	CERAMIC 0.1U K 16V
IC5891	309 416 6518	IC BA05FP-E2	C1351	303 276 1911	CERAMIC 22P J 50V
IC592	309 461 7822	IC PQ20WZ11	C1352	303 276 1911	CERAMIC 22P J 50V
IC6501	309 537 6213	IC BA6920FP-YE2	C1353	303 276 2819	CERAMIC 18P J 50V
IC6521	309 537 6213	IC BA6920FP-YE2	C1354	303 276 2819	CERAMIC 18P J 50V
IC6531	309 400 7118	IC TC7W53FU-(TE12L)	C1355	303 298 9612	CERAMIC 0.1U K 16V
IC6541	309 400 7118	IC TC7W53FU-(TE12L)	C1356	303 433 1112	CERAMIC 1U K 10V
IC6606	309 531 6229	IC FA7701V-TE1	C1357	303 320 0419	CERAMIC 68P J 50V
IC6608	409 685 8913	IC NJU7708F27(TE1)	C1358	303 320 0419	CERAMIC 68P J 50V
IC6609	309 654 4611	IC XC6365D103MR	C1359	303 367 0410	CERAMIC 0.1U K 50V
IC7701	309 531 6229	IC FA7701V-TE1	C1371	303 409 3426	CERAMIC 0.1U K 16V
IC7721	309 531 6229	IC FA7701V-TE1	C1374	303 409 3426	CERAMIC 0.1U K 16V
IC7801	309 458 3414	IC M62393FP	C1381	303 409 3426	CERAMIC 0.1U K 16V
IC7802	309 301 5510	IC TC7S08FU(TE85L)	C1382	303 409 3426	CERAMIC 0.1U K 16V
IC7821	309 461 7822	IC PQ20WZ11	C1387	303 409 3426	CERAMIC 0.1U K 16V
IC7841	309 461 7822	IC PQ20WZ11	C1391	303 409 3426	CERAMIC 0.1U K 16V
IC7861	309 461 7822	IC PQ20WZ11	C1392	303 433 1112	CERAMIC 1U K 10V
IC7881	309 461 7822	IC PQ20WZ11	C1393	303 433 1112	CERAMIC 1U K 10V
IC7921	309 461 7822	IC PQ20WZ11	C1401	303 433 1112	CERAMIC 1U K 10V
IC801	410 664 6100	IC S29GL064N90TFI030-0891	C1412	303 433 1112	CERAMIC 1U K 10V
IC8031	310 595 8009	IC PQ1LAX95MSPQ	C1413	303 433 1112	CERAMIC 1U K 10V
IC8051	309 400 7118	IC TC7W53FU-(TE12L)	C1414	303 433 1112	CERAMIC 1U K 10V
IC8052	309 400 7118	IC TC7W53FU-(TE12L)	C144	303 409 3426	CERAMIC 0.1U K 16V
IC8061	310 479 4004	IC TC7WBD125AFK	C1441	303 358 3215	CERAMIC 10U K 6.3V
IC8062	309 558 7213	IC 24C02CT-I/SNG		303 368 7319	CERAMIC 10U K 6.3V
IC843	310 596 0002	IC 74LVC1G125GW,125	C1442	303 433 1112	CERAMIC 1U K 10V
IC9826	309 400 9211	IC TC7SET32FU-(TE85L)	C1443	303 358 3215	CERAMIC 10U K 6.3V
IC9827	309 431 4424	IC M62334FP-DF5Q		303 368 7319	CERAMIC 10U K 6.3V
IC9828	309 400 7118	IC TC7W53FU-(TE12L)	C1451	303 401 2219	ELECT 100U M 6.3V
IC9829	309 400 7118	IC TC7W53FU-(TE12L)		303 424 0315	ELECT 100U M 6.3V
IC9830	409 692 1310	IC BA3472F-E2		403 458 7219	ELECT 100U M 6.3V
IC9831	309 506 8910	IC FA7700V-TE1	C1452	303 433 1112	CERAMIC 1U K 10V
			C1453	303 358 3215	CERAMIC 10U K 6.3V
				303 368 7319	CERAMIC 10U K 6.3V
			C1454	303 369 0527	CERAMIC 0.01U K 25V
			C1459	303 409 3426	CERAMIC 0.1U K 16V
			C1463	303 369 0527	CERAMIC 0.01U K 25V
			C1464	303 409 3426	CERAMIC 0.1U K 16V
			C1467	303 401 2219	ELECT 100U M 6.3V
				303 424 0315	ELECT 100U M 6.3V
				403 458 7219	ELECT 100U M 6.3V
			C1469	303 409 3426	CERAMIC 0.1U K 16V
			C1470	303 376 6311	CERAMIC 0.47U K 10V
			C1471	303 409 3426	CERAMIC 0.1U K 16V
			C1472	303 409 3426	CERAMIC 0.1U K 16V
			C1474	303 409 3426	CERAMIC 0.1U K 16V
			C1476	303 409 3426	CERAMIC 0.1U K 16V
			C1477	303 409 3426	CERAMIC 0.1U K 16V
			C1478	303 370 1114	CERAMIC 4.7U K 10V
			C1481	303 409 3426	CERAMIC 0.1U K 16V
			C1483	303 409 3426	CERAMIC 0.1U K 16V
			C1491	303 409 3426	CERAMIC 0.1U K 16V
			C1501	303 398 4111	ELECT 47U M 16V
				303 387 6515	ELECT 47U M 16V
			C1502	303 433 1112	CERAMIC 1U K 10V
			C1503	303 396 9613	CERAMIC 1U K 25V
			C1504	303 396 9613	CERAMIC 1U K 25V
			C1505	303 433 1112	CERAMIC 1U K 10V
			C1506	303 376 3112	ELECT 100U M 25V
				303 374 7815	ELECT 100U M 25V
				303 444 0111	ELECT 100U M 25V
			C1507	303 396 9613	CERAMIC 1U K 25V
			C1508	303 396 9613	CERAMIC 1U K 25V
			C1509	303 396 9613	CERAMIC 1U K 25V
			C1511	303 396 9613	CERAMIC 1U K 25V
CAPACITOR					
C1301	303 398 4111	ELECT 47U M 16V			
	303 387 6515	ELECT 47U M 16V			
C1302	303 409 3426	CERAMIC 0.1U K 16V			
C1303	303 396 9613	CERAMIC 1U K 25V			
C1304	303 441 9810	CERAMIC 0.01U K 50V			
C1306	303 276 1317	CERAMIC 1000P K 50V			
C1311	303 409 3426	CERAMIC 0.1U K 16V			
C1312	303 409 3426	CERAMIC 0.1U K 16V			
C1313	303 409 3426	CERAMIC 0.1U K 16V			
C1314	303 409 3426	CERAMIC 0.1U K 16V			
C1316	303 409 3426	CERAMIC 0.1U K 16V			
C1317	303 409 3426	CERAMIC 0.1U K 16V			
C1318	303 409 3426	CERAMIC 0.1U K 16V			
C1319	303 409 3426	CERAMIC 0.1U K 16V			
C1321	303 358 3215	CERAMIC 10U K 6.3V			
	303 368 7319	CERAMIC 10U K 6.3V			
C1322	303 409 3426	CERAMIC 0.1U K 16V			
C1323	303 409 3426	CERAMIC 0.1U K 16V			
C1324	303 409 3426	CERAMIC 0.1U K 16V			
C1326	303 409 3426	CERAMIC 0.1U K 16V			
C1327	303 409 3426	CERAMIC 0.1U K 16V			
C1328	303 409 3426	CERAMIC 0.1U K 16V			
C1331	303 409 3426	CERAMIC 0.1U K 16V			
C1332	303 409 3426	CERAMIC 0.1U K 16V			
C1333	303 409 3426	CERAMIC 0.1U K 16V			
C1334	303 409 3426	CERAMIC 0.1U K 16V			
C1336	303 409 3426	CERAMIC 0.1U K 16V			
C1337	303 409 3426	CERAMIC 0.1U K 16V			
C1338	303 409 3426	CERAMIC 0.1U K 16V			
C1339	303 409 3426	CERAMIC 0.1U K 16V			
C1341	303 409 3426	CERAMIC 0.1U K 16V			

Electrical Parts List

Key No.	Part No.	Description	Key No.	Part No.	Description
C1512	403 456 4210	CERAMIC 470P J 50V	C1872	303 409 3426	CERAMIC 0.1U K 16V
C1513	303 396 9613	CERAMIC 1U K 25V	C1873	303 409 3426	CERAMIC 0.1U K 16V
C1514	303 376 3112	ELECT 100U M 25V	C1874	303 409 3426	CERAMIC 0.1U K 16V
	303 374 7815	ELECT 100UM 25V	C1875	303 409 3426	CERAMIC 0.1U K 16V
	303 444 0111	ELECT 100U M 25V	C1881	303 376 6311	CERAMIC 0.47U K 10V
C1516	303 396 9613	CERAMIC 1U K 25V	C1882	303 376 6311	CERAMIC 0.47U K 10V
C1517	303 396 9613	CERAMIC 1U K 25V	C1883	303 409 3426	CERAMIC 0.1U K 16V
C1518	303 433 1112	CERAMIC 1U K 10V	C1884	303 409 3426	CERAMIC 0.1U K 16V
C1521	303 396 9613	CERAMIC 1U K 25V	C1893	303 376 6311	CERAMIC 0.47U K 10V
C1522	303 397 6611	ELECT 10U M 25V	C1894	303 376 6311	CERAMIC 0.47U K 10V
	303 387 6812	ELECT 10U M 25V	C1895	303 409 3426	CERAMIC 0.1U K 16V
C1531	303 398 4111	ELECT 47U M 16V	C1898	303 409 3426	CERAMIC 0.1U K 16V
	303 387 6515	ELECT 47U M 16V	C201	303 409 3426	CERAMIC 0.1U K 16V
C1532	303 433 1112	CERAMIC 1U K 10V	C202	303 381 5316	ELECT 100U M 16V
C1533	303 396 9613	CERAMIC 1U K 25V		303 369 3211	ELECT 100U M 16V
C1534	303 396 9613	CERAMIC 1U K 25V		403 458 7615	ELECT 100U M 16V
C1535	303 433 1112	CERAMIC 1U K 10V	C203	303 409 3426	CERAMIC 0.1U K 16V
C1536	303 376 3112	ELECT 100U M 25V	C205	303 409 3426	CERAMIC 0.1U K 16V
	303 374 7815	ELECT 100UM 25V	C211	303 409 3426	CERAMIC 0.1U K 16V
	303 444 0111	ELECT 100U M 25V	C212	303 358 3215	CERAMIC 10U K 6.3V
C1537	303 396 9613	CERAMIC 1U K 25V		303 368 7319	CERAMIC 10U K 6.3V
C1538	303 396 9613	CERAMIC 1U K 25V	C213	303 358 3215	CERAMIC 10U K 6.3V
C1539	303 396 9613	CERAMIC 1U K 25V		303 368 7319	CERAMIC 10U K 6.3V
C1541	303 396 9613	CERAMIC 1U K 25V	C214	303 409 3426	CERAMIC 0.1U K 16V
C1542	403 456 4210	CERAMIC 470P J 50V	C215	303 409 3426	CERAMIC 0.1U K 16V
C1543	303 396 9613	CERAMIC 1U K 25V	C216	303 409 3426	CERAMIC 0.1U K 16V
C1544	303 376 3112	ELECT 100U M 25V	C217	303 409 3426	CERAMIC 0.1U K 16V
	303 374 7815	ELECT 100UM 25V	C218	303 409 3426	CERAMIC 0.1U K 16V
	303 444 0111	ELECT 100U M 25V	C2201	303 409 3426	CERAMIC 0.1U K 16V
C1546	303 396 9613	CERAMIC 1U K 25V	C2202	303 369 0527	CERAMIC 0.01U K 25V
C1547	303 396 9613	CERAMIC 1U K 25V	C2203	303 409 3426	CERAMIC 0.1U K 16V
C1548	303 433 1112	CERAMIC 1U K 10V	C2204	303 409 3426	CERAMIC 0.1U K 16V
C1551	303 396 9613	CERAMIC 1U K 25V	C2205	303 369 0527	CERAMIC 0.01U K 25V
C1552	303 397 6611	ELECT 10U M 25V	C2206	303 409 3426	CERAMIC 0.1U K 16V
	303 387 6812	ELECT 10U M 25V	C2207	303 409 3426	CERAMIC 0.1U K 16V
C1561	303 398 4111	ELECT 47U M 16V	C2208	303 369 0527	CERAMIC 0.01U K 25V
	303 387 6515	ELECT 47U M 16V	C2209	303 409 3426	CERAMIC 0.1U K 16V
C1562	303 433 1112	CERAMIC 1U K 10V	C221	303 409 3426	CERAMIC 0.1U K 16V
C1563	303 396 9613	CERAMIC 1U K 25V	C2211	303 369 0527	CERAMIC 0.01U K 25V
C1564	303 396 9613	CERAMIC 1U K 25V	C2212	303 409 3426	CERAMIC 0.1U K 16V
C1565	303 433 1112	CERAMIC 1U K 10V	C2213	303 409 3426	CERAMIC 0.1U K 16V
C1566	303 376 3112	ELECT 100U M 25V	C2214	303 369 0527	CERAMIC 0.01U K 25V
	303 374 7815	ELECT 100UM 25V	C2215	303 409 3426	CERAMIC 0.1U K 16V
	303 444 0111	ELECT 100U M 25V	C2216	303 409 3426	CERAMIC 0.1U K 16V
C1567	303 396 9613	CERAMIC 1U K 25V	C2217	303 369 0527	CERAMIC 0.01U K 25V
C1568	303 396 9613	CERAMIC 1U K 25V	C2218	303 409 3426	CERAMIC 0.1U K 16V
C1569	303 396 9613	CERAMIC 1U K 25V	C2219	303 369 0527	CERAMIC 0.01U K 25V
C1571	303 396 9613	CERAMIC 1U K 25V	C222	303 358 3215	CERAMIC 10U K 6.3V
C1572	403 456 4210	CERAMIC 470P J 50V		303 368 7319	CERAMIC 10U K 6.3V
C1573	303 396 9613	CERAMIC 1U K 25V	C2221	303 409 3426	CERAMIC 0.1U K 16V
C1574	303 376 3112	ELECT 100U M 25V	C2222	303 409 3426	CERAMIC 0.1U K 16V
	303 374 7815	ELECT 100UM 25V	C2223	303 369 0527	CERAMIC 0.01U K 25V
	303 444 0111	ELECT 100U M 25V	C2224	303 409 3426	CERAMIC 0.1U K 16V
C1576	303 396 9613	CERAMIC 1U K 25V	C2225	303 369 0527	CERAMIC 0.01U K 25V
C1577	303 396 9613	CERAMIC 1U K 25V	C2226	303 369 0527	CERAMIC 0.01U K 25V
C1578	303 433 1112	CERAMIC 1U K 10V	C2227	303 409 3426	CERAMIC 0.1U K 16V
C1581	303 396 9613	CERAMIC 1U K 25V	C2228	303 369 0527	CERAMIC 0.01U K 25V
C1582	303 397 6611	ELECT 10U M 25V	C2229	303 145 9918	CERAMIC 22P J 50V
	303 387 6812	ELECT 10U M 25V	C223	303 358 3215	CERAMIC 10U K 6.3V
C1806	303 409 3426	CERAMIC 0.1U K 16V		303 368 7319	CERAMIC 10U K 6.3V
C1813	303 409 3426	CERAMIC 0.1U K 16V	C2231	303 139 7319	CERAMIC 18P J 50V
C1814	303 409 3426	CERAMIC 0.1U K 16V	C2232	303 369 0527	CERAMIC 0.01U K 25V
C1828	303 409 3426	CERAMIC 0.1U K 16V	C2233	303 369 0527	CERAMIC 0.01U K 25V
C1829	303 282 5118	CERAMIC 470P K 50V	C2234	303 369 0527	CERAMIC 0.01U K 25V
C1851	303 409 3426	CERAMIC 0.1U K 16V	C2235	303 369 0527	CERAMIC 0.01U K 25V
C1853	303 409 3426	CERAMIC 0.1U K 16V	C2236	303 369 0527	CERAMIC 0.01U K 25V
C1871	303 409 3426	CERAMIC 0.1U K 16V	C2237	303 369 0527	CERAMIC 0.01U K 25V

Electrical Parts List

Key No.	Part No.	Description	Key No.	Part No.	Description
C2238	303 369 0527	CERAMIC 0.01U K 25V	C2334	303 409 3426	CERAMIC 0.1U K 16V
C2239	303 369 0527	CERAMIC 0.01U K 25V	C2335	303 409 3426	CERAMIC 0.1U K 16V
C224	303 409 3426	CERAMIC 0.1U K 16V	C2336	303 409 3426	CERAMIC 0.1U K 16V
C2241	303 369 0527	CERAMIC 0.01U K 25V	C2337	303 409 3426	CERAMIC 0.1U K 16V
C2243	303 369 0527	CERAMIC 0.01U K 25V	C2338	303 409 3426	CERAMIC 0.1U K 16V
C225	303 409 3426	CERAMIC 0.1U K 16V	C2339	303 409 3426	CERAMIC 0.1U K 16V
C2251	303 433 1112	CERAMIC 1U K 10V	C234	303 409 3426	CERAMIC 0.1U K 16V
C2252	303 358 3215	CERAMIC 10U K 6.3V	C2341	303 409 3426	CERAMIC 0.1U K 16V
	303 368 7319	CERAMIC 10U K 6.3V	C2342	303 409 3426	CERAMIC 0.1U K 16V
C2253	303 409 3426	CERAMIC 0.1U K 16V	C2343	303 409 3426	CERAMIC 0.1U K 16V
C2254	303 401 2219	ELECT 100U M 6.3V	C2344	303 409 3426	CERAMIC 0.1U K 16V
	303 424 0315	ELECT 100U M 6.3V	C2345	303 409 3426	CERAMIC 0.1U K 16V
	403 458 7219	ELECT 100U M 6.3V	C2346	303 409 3426	CERAMIC 0.1U K 16V
C2255	303 409 3426	CERAMIC 0.1U K 16V	C2347	303 409 3426	CERAMIC 0.1U K 16V
C2256	303 401 2219	ELECT 100U M 6.3V	C2348	303 409 3426	CERAMIC 0.1U K 16V
	303 424 0315	ELECT 100U M 6.3V	C2349	303 409 3426	CERAMIC 0.1U K 16V
	403 458 7219	ELECT 100U M 6.3V	C235	303 409 3426	CERAMIC 0.1U K 16V
C2257	303 442 0410	CERAMIC 0.022U K 25V	C2351	303 409 3426	CERAMIC 0.1U K 16V
C226	303 409 3426	CERAMIC 0.1U K 16V	C2352	303 409 3426	CERAMIC 0.1U K 16V
C2261	303 433 1112	CERAMIC 1U K 10V	C2353	303 409 3426	CERAMIC 0.1U K 16V
C2262	303 409 3426	CERAMIC 0.1U K 16V	C2354	303 409 3426	CERAMIC 0.1U K 16V
C2263	303 358 3215	CERAMIC 10U K 6.3V	C2355	303 409 3426	CERAMIC 0.1U K 16V
	303 368 7319	CERAMIC 10U K 6.3V	C2356	303 409 3426	CERAMIC 0.1U K 16V
C2264	303 409 3426	CERAMIC 0.1U K 16V	C2357	303 409 3426	CERAMIC 0.1U K 16V
C2265	303 401 2219	ELECT 100U M 6.3V	C2358	303 409 3426	CERAMIC 0.1U K 16V
	303 424 0315	ELECT 100U M 6.3V	C2359	303 409 3426	CERAMIC 0.1U K 16V
	403 458 7219	ELECT 100U M 6.3V	C236	303 409 3426	CERAMIC 0.1U K 16V
C2266	303 409 3426	CERAMIC 0.1U K 16V	C2361	303 409 3426	CERAMIC 0.1U K 16V
C2267	303 401 2219	ELECT 100U M 6.3V	C2362	303 409 3426	CERAMIC 0.1U K 16V
	303 424 0315	ELECT 100U M 6.3V	C2363	303 409 3426	CERAMIC 0.1U K 16V
	403 458 7219	ELECT 100U M 6.3V	C2364	303 409 3426	CERAMIC 0.1U K 16V
C227	303 409 3426	CERAMIC 0.1U K 16V	C2365	303 409 3426	CERAMIC 0.1U K 16V
C228	303 409 3426	CERAMIC 0.1U K 16V	C2366	303 409 3426	CERAMIC 0.1U K 16V
C2301	303 433 1112	CERAMIC 1U K 10V	C2367	303 409 3426	CERAMIC 0.1U K 16V
C2302	303 433 1112	CERAMIC 1U K 10V	C2368	303 409 3426	CERAMIC 0.1U K 16V
C2303	303 433 1112	CERAMIC 1U K 10V	C2369	303 409 3426	CERAMIC 0.1U K 16V
C2304	303 276 1911	CERAMIC 22P J 50V	C237	303 409 3426	CERAMIC 0.1U K 16V
C2305	303 309 2519	CERAMIC 27P J 50V	C2371	403 455 1616	CERAMIC 10U K 16V
C2306	303 409 3426	CERAMIC 0.1U K 16V	C2372	403 455 1616	CERAMIC 10U K 16V
C2307	303 409 3426	CERAMIC 0.1U K 16V	C2373	303 409 3426	CERAMIC 0.1U K 16V
C2308	303 409 3426	CERAMIC 0.1U K 16V	C2374	303 409 3426	CERAMIC 0.1U K 16V
C2309	303 409 3426	CERAMIC 0.1U K 16V	C2376	303 409 3426	CERAMIC 0.1U K 16V
C231	303 409 3426	CERAMIC 0.1U K 16V	C2377	303 450 7012	CERAMIC 47U K 10V
C2311	303 409 3426	CERAMIC 0.1U K 16V	C2378	303 409 3426	CERAMIC 0.1U K 16V
C2312	303 409 3426	CERAMIC 0.1U K 16V	C2379	303 409 3426	CERAMIC 0.1U K 16V
C2313	303 409 3426	CERAMIC 0.1U K 16V	C238	303 409 3426	CERAMIC 0.1U K 16V
C2314	303 409 3426	CERAMIC 0.1U K 16V	C2381	303 433 1112	CERAMIC 1U K 10V
C2315	303 409 3426	CERAMIC 0.1U K 16V	C2382	303 442 0410	CERAMIC 0.022U K 25V
C2316	303 409 3426	CERAMIC 0.1U K 16V	C2383	303 358 3215	CERAMIC 10U K 6.3V
C2318	303 409 3426	CERAMIC 0.1U K 16V		303 368 7319	CERAMIC 10U K 6.3V
C2319	303 409 3426	CERAMIC 0.1U K 16V	C2387	303 433 1112	CERAMIC 1U K 10V
C232	303 358 3215	CERAMIC 10U K 6.3V	C2388	303 358 3215	CERAMIC 10U K 6.3V
	303 368 7319	CERAMIC 10U K 6.3V		303 368 7319	CERAMIC 10U K 6.3V
C2321	303 409 3426	CERAMIC 0.1U K 16V	C2389	303 442 0410	CERAMIC 0.022U K 25V
C2322	303 409 3426	CERAMIC 0.1U K 16V	C2428	303 409 3426	CERAMIC 0.1U K 16V
C2323	303 409 3426	CERAMIC 0.1U K 16V	C2501	303 397 6611	ELECT 10U M 25V
C2324	303 409 3426	CERAMIC 0.1U K 16V		303 387 6812	ELECT 10U M 25V
C2325	303 409 3426	CERAMIC 0.1U K 16V	C2502	303 367 0410	CERAMIC 0.1U K 50V
C2326	303 409 3426	CERAMIC 0.1U K 16V	C2521	303 367 0410	CERAMIC 0.1U K 50V
C2327	303 409 3426	CERAMIC 0.1U K 16V	C2522	303 396 9613	CERAMIC 1U K 25V
C2328	303 409 3426	CERAMIC 0.1U K 16V	C2523	303 396 9613	CERAMIC 1U K 25V
C2329	303 409 3426	CERAMIC 0.1U K 16V	C2524	303 396 9613	CERAMIC 1U K 25V
C233	303 358 3215	CERAMIC 10U K 6.3V	C2526	303 398 4111	ELECT 47U M 16V
	303 368 7319	CERAMIC 10U K 6.3V		303 387 6515	ELECT 47U M 16V
C2331	303 409 3426	CERAMIC 0.1U K 16V	C2531	303 397 6611	ELECT 10U M 25V
C2332	303 409 3426	CERAMIC 0.1U K 16V		303 387 6812	ELECT 10U M 25V
C2333	303 409 3426	CERAMIC 0.1U K 16V	C2532	303 367 0410	CERAMIC 0.1U K 50V

Electrical Parts List

Key No.	Part No.	Description	Key No.	Part No.	Description
C2561	303 397 6611	ELECT 10U M 25V	C3422	303 381 9918	ELECT 470U M 16V
	303 387 6812	ELECT 10U M 25V		303 407 3517	ELECT 470U M 16V
C2562	303 367 0410	CERAMIC 0.1U K 50V		403 458 5017	ELECT 470U M 16V
C2581	303 367 0410	CERAMIC 0.1U K 50V	C3423	303 409 3426	CERAMIC 0.1U K 16V
C2582	303 376 3112	ELECT 100U M 25V	C3425	403 455 1616	CERAMIC 10U K 16V
	303 374 7815	ELECT 100UM 25V	C3426	403 455 1616	CERAMIC 10U K 16V
	303 444 0111	ELECT 100U M 25V	C3427	303 409 3426	CERAMIC 0.1U K 16V
C2583	303 367 0410	CERAMIC 0.1U K 50V	C343	303 433 1112	CERAMIC 1U K 10V
C2584	303 376 3112	ELECT 100U M 25V	C3431	303 409 3426	CERAMIC 0.1U K 16V
	303 374 7815	ELECT 100UM 25V	C3432	303 450 7012	CERAMIC 47U K 10V
	303 444 0111	ELECT 100U M 25V	C3433	303 409 3426	CERAMIC 0.1U K 16V
C2586	303 367 0410	CERAMIC 0.1U K 50V	C344	303 433 1112	CERAMIC 1U K 10V
C2587	303 396 9613	CERAMIC 1U K 25V	C3441	303 433 1112	CERAMIC 1U K 10V
C2588	303 396 9613	CERAMIC 1U K 25V	C3442	303 376 6311	CERAMIC 0.47U K 10V
C2589	303 396 9613	CERAMIC 1U K 25V	C3443	303 358 3215	CERAMIC 10U K 6.3V
C2591	303 398 4111	ELECT 47U M 16V		303 368 7319	CERAMIC 10U K 6.3V
	303 387 6515	ELECT 47U M 16V	C3444	303 376 6311	CERAMIC 0.47U K 10V
C2593	303 396 9613	CERAMIC 1U K 25V	C346	303 409 3426	CERAMIC 0.1U K 16V
C2594	303 367 0410	CERAMIC 0.1U K 50V	C347	303 409 3426	CERAMIC 0.1U K 16V
C2596	303 396 9613	CERAMIC 1U K 25V	C348	303 409 3426	CERAMIC 0.1U K 16V
C2597	303 396 9613	CERAMIC 1U K 25V	C349	303 409 3426	CERAMIC 0.1U K 16V
C2598	303 398 4111	ELECT 47U M 16V	C351	303 409 3426	CERAMIC 0.1U K 16V
	303 387 6515	ELECT 47U M 16V	C352	303 409 3426	CERAMIC 0.1U K 16V
C261	303 409 3426	CERAMIC 0.1U K 16V	C353	303 409 3426	CERAMIC 0.1U K 16V
C262	303 409 3426	CERAMIC 0.1U K 16V	C356	303 409 3426	CERAMIC 0.1U K 16V
C2801	303 409 3426	CERAMIC 0.1U K 16V	C357	303 409 3426	CERAMIC 0.1U K 16V
C2802	303 409 3426	CERAMIC 0.1U K 16V	C358	303 409 3426	CERAMIC 0.1U K 16V
C2803	303 409 3426	CERAMIC 0.1U K 16V	C359	303 409 3426	CERAMIC 0.1U K 16V
C2811	303 409 3426	CERAMIC 0.1U K 16V	C361	303 409 3426	CERAMIC 0.1U K 16V
C301	303 409 3426	CERAMIC 0.1U K 16V	C362	303 433 1112	CERAMIC 1U K 10V
C302	303 409 3426	CERAMIC 0.1U K 16V	C363	303 409 3426	CERAMIC 0.1U K 16V
C303	303 433 1112	CERAMIC 1U K 10V	C364	303 433 1112	CERAMIC 1U K 10V
C304	303 409 3426	CERAMIC 0.1U K 16V	C366	303 409 3426	CERAMIC 0.1U K 16V
C305	303 433 1112	CERAMIC 1U K 10V	C367	303 433 1112	CERAMIC 1U K 10V
C306	303 409 3426	CERAMIC 0.1U K 16V	C368	303 409 3426	CERAMIC 0.1U K 16V
C307	303 433 1112	CERAMIC 1U K 10V	C369	303 433 1112	CERAMIC 1U K 10V
C308	303 409 3426	CERAMIC 0.1U K 16V	C371	303 409 3426	CERAMIC 0.1U K 16V
C309	303 409 3426	CERAMIC 0.1U K 16V	C372	303 409 3426	CERAMIC 0.1U K 16V
C311	303 409 3426	CERAMIC 0.1U K 16V	C373	303 433 1112	CERAMIC 1U K 10V
C312	303 409 3426	CERAMIC 0.1U K 16V	C374	303 409 3426	CERAMIC 0.1U K 16V
C313	303 409 3426	CERAMIC 0.1U K 16V	C375	303 409 3426	CERAMIC 0.1U K 16V
C318	303 409 3426	CERAMIC 0.1U K 16V	C376	303 409 3426	CERAMIC 0.1U K 16V
C321	303 409 3426	CERAMIC 0.1U K 16V	C377	303 433 1112	CERAMIC 1U K 10V
C322	303 409 3426	CERAMIC 0.1U K 16V	C378	303 409 3426	CERAMIC 0.1U K 16V
C323	303 409 3426	CERAMIC 0.1U K 16V	C379	303 409 3426	CERAMIC 0.1U K 16V
C325	303 433 1112	CERAMIC 1U K 10V	C381	303 433 1112	CERAMIC 1U K 10V
C327	303 433 1112	CERAMIC 1U K 10V	C382	303 409 3426	CERAMIC 0.1U K 16V
C328	303 433 1112	CERAMIC 1U K 10V	C383	303 409 3426	CERAMIC 0.1U K 16V
C331	303 409 3426	CERAMIC 0.1U K 16V	C384	303 409 3426	CERAMIC 0.1U K 16V
C332	303 409 3426	CERAMIC 0.1U K 16V	C385	303 409 3426	CERAMIC 0.1U K 16V
C333	303 409 3426	CERAMIC 0.1U K 16V	C386	303 433 1112	CERAMIC 1U K 10V
C334	303 409 3426	CERAMIC 0.1U K 16V	C387	303 409 3426	CERAMIC 0.1U K 16V
C336	303 409 3426	CERAMIC 0.1U K 16V	C388	303 409 3426	CERAMIC 0.1U K 16V
C337	303 409 3426	CERAMIC 0.1U K 16V	C389	303 409 3426	CERAMIC 0.1U K 16V
C338	303 409 3426	CERAMIC 0.1U K 16V	C391	303 409 3426	CERAMIC 0.1U K 16V
C339	303 409 3426	CERAMIC 0.1U K 16V	C392	303 409 3426	CERAMIC 0.1U K 16V
C3401	303 409 3426	CERAMIC 0.1U K 16V	C393	303 409 3426	CERAMIC 0.1U K 16V
C3402	303 409 3426	CERAMIC 0.1U K 16V	C394	303 433 1112	CERAMIC 1U K 10V
C3403	303 409 3426	CERAMIC 0.1U K 16V	C395	303 409 3426	CERAMIC 0.1U K 16V
C3404	303 409 3426	CERAMIC 0.1U K 16V	C396	303 409 3426	CERAMIC 0.1U K 16V
C3405	303 409 3426	CERAMIC 0.1U K 16V	C397	303 409 3426	CERAMIC 0.1U K 16V
C3406	303 409 3426	CERAMIC 0.1U K 16V	C398	303 409 3426	CERAMIC 0.1U K 16V
C3407	303 409 3426	CERAMIC 0.1U K 16V	C399	303 409 3426	CERAMIC 0.1U K 16V
C3408	303 358 3215	CERAMIC 10U K 6.3V	C404	303 433 1112	CERAMIC 1U K 10V
	303 368 7319	CERAMIC 10U K 6.3V	C406	303 433 1112	CERAMIC 1U K 10V
C341	303 409 3426	CERAMIC 0.1U K 16V	C407	303 433 1112	CERAMIC 1U K 10V
C342	303 409 3426	CERAMIC 0.1U K 16V	C408	303 433 1112	CERAMIC 1U K 10V

Electrical Parts List

Key No.	Part No.	Description	Key No.	Part No.	Description
C409	303 433 1112	CERAMIC 1U K 10V	C4434	303 409 3426	CERAMIC 0.1U K 16V
C411	303 433 1112	CERAMIC 1U K 10V	C4435	303 409 3426	CERAMIC 0.1U K 16V
C412	303 433 1112	CERAMIC 1U K 10V	C4436	303 409 3426	CERAMIC 0.1U K 16V
C413	303 401 2219	ELECT 100U M 6.3V	C4437	303 409 3426	CERAMIC 0.1U K 16V
	303 424 0315	ELECT 100U M 6.3V	C4438	303 409 3426	CERAMIC 0.1U K 16V
	403 458 7219	ELECT 100U M 6.3V	C4439	303 409 3426	CERAMIC 0.1U K 16V
C414	303 433 1112	CERAMIC 1U K 10V	C444	303 397 6611	ELECT 10U M 25V
C416	303 433 1112	CERAMIC 1U K 10V		303 387 6812	ELECT 10U M 25V
C417	303 433 1112	CERAMIC 1U K 10V	C4440	303 409 3426	CERAMIC 0.1U K 16V
C418	303 433 1112	CERAMIC 1U K 10V	C4441	303 409 3426	CERAMIC 0.1U K 16V
C419	303 433 1112	CERAMIC 1U K 10V	C4442	303 409 3426	CERAMIC 0.1U K 16V
C421	303 397 6611	ELECT 10U M 25V	C4443	303 409 3426	CERAMIC 0.1U K 16V
	303 387 6812	ELECT 10U M 25V	C4444	303 409 3426	CERAMIC 0.1U K 16V
C422	303 433 1112	CERAMIC 1U K 10V	C4445	303 409 3426	CERAMIC 0.1U K 16V
C423	303 433 1112	CERAMIC 1U K 10V	C4446	303 409 3426	CERAMIC 0.1U K 16V
C424	303 433 1112	CERAMIC 1U K 10V	C4447	303 409 3426	CERAMIC 0.1U K 16V
C426	303 433 1112	CERAMIC 1U K 10V	C4448	303 409 3426	CERAMIC 0.1U K 16V
C427	303 433 1112	CERAMIC 1U K 10V	C4449	303 409 3426	CERAMIC 0.1U K 16V
C428	303 397 6611	ELECT 10U M 25V	C4450	303 409 3426	CERAMIC 0.1U K 16V
	303 387 6812	ELECT 10U M 25V	C4451	303 409 3426	CERAMIC 0.1U K 16V
C429	303 433 1112	CERAMIC 1U K 10V	C4452	303 409 3426	CERAMIC 0.1U K 16V
C431	303 397 6611	ELECT 10U M 25V	C4453	303 409 3426	CERAMIC 0.1U K 16V
	303 387 6812	ELECT 10U M 25V	C4454	303 409 3426	CERAMIC 0.1U K 16V
C432	303 433 1112	CERAMIC 1U K 10V	C4455	303 409 3426	CERAMIC 0.1U K 16V
C433	303 433 1112	CERAMIC 1U K 10V	C4456	303 409 3426	CERAMIC 0.1U K 16V
C434	303 433 1112	CERAMIC 1U K 10V	C4457	303 409 3426	CERAMIC 0.1U K 16V
C436	303 433 1112	CERAMIC 1U K 10V	C4458	303 409 3426	CERAMIC 0.1U K 16V
C437	303 397 6611	ELECT 10U M 25V	C4459	303 409 3426	CERAMIC 0.1U K 16V
	303 387 6812	ELECT 10U M 25V	C446	303 433 1112	CERAMIC 1U K 10V
C438	303 433 1112	CERAMIC 1U K 10V	C4460	303 409 3426	CERAMIC 0.1U K 16V
C439	303 433 1112	CERAMIC 1U K 10V	C4461	303 409 3426	CERAMIC 0.1U K 16V
C4401	303 409 3426	CERAMIC 0.1U K 16V	C4462	303 409 3426	CERAMIC 0.1U K 16V
C4402	303 409 3426	CERAMIC 0.1U K 16V	C4463	303 409 3426	CERAMIC 0.1U K 16V
C4403	303 409 3426	CERAMIC 0.1U K 16V	C4464	303 409 3426	CERAMIC 0.1U K 16V
C4404	303 409 3426	CERAMIC 0.1U K 16V	C4465	303 409 3426	CERAMIC 0.1U K 16V
C4405	303 409 3426	CERAMIC 0.1U K 16V	C4466	303 409 3426	CERAMIC 0.1U K 16V
C4406	303 409 3426	CERAMIC 0.1U K 16V	C4467	303 409 3426	CERAMIC 0.1U K 16V
C4407	303 409 3426	CERAMIC 0.1U K 16V	C4468	303 409 3426	CERAMIC 0.1U K 16V
C4408	303 409 3426	CERAMIC 0.1U K 16V	C4469	303 409 3426	CERAMIC 0.1U K 16V
C4409	303 409 3426	CERAMIC 0.1U K 16V	C447	303 433 1112	CERAMIC 1U K 10V
C441	303 433 1112	CERAMIC 1U K 10V	C4470	303 409 3426	CERAMIC 0.1U K 16V
C4410	303 409 3426	CERAMIC 0.1U K 16V	C4471	303 433 1112	CERAMIC 1U K 10V
C4411	303 409 3426	CERAMIC 0.1U K 16V	C4472	303 433 1112	CERAMIC 1U K 10V
C4412	303 409 3426	CERAMIC 0.1U K 16V	C448	303 433 1112	CERAMIC 1U K 10V
C4413	303 409 3426	CERAMIC 0.1U K 16V	C4482	303 433 1112	CERAMIC 1U K 10V
C4414	303 409 3426	CERAMIC 0.1U K 16V	C4488	303 358 3215	CERAMIC 10U K 6.3V
C4415	303 409 3426	CERAMIC 0.1U K 16V		303 368 7319	CERAMIC 10U K 6.3V
C4416	303 409 3426	CERAMIC 0.1U K 16V	C449	303 397 6611	ELECT 10U M 25V
C4417	303 409 3426	CERAMIC 0.1U K 16V		303 387 6812	ELECT 10U M 25V
C4418	303 409 3426	CERAMIC 0.1U K 16V	C4493	303 409 3426	CERAMIC 0.1U K 16V
C4419	303 409 3426	CERAMIC 0.1U K 16V	C4494	303 449 3018	CERAMIC 0.68U K 10V
C442	303 433 1112	CERAMIC 1U K 10V	C451	303 433 1112	CERAMIC 1U K 10V
C4420	303 409 3426	CERAMIC 0.1U K 16V	C452	303 433 1112	CERAMIC 1U K 10V
C4421	303 409 3426	CERAMIC 0.1U K 16V	C453	303 433 1112	CERAMIC 1U K 10V
C4422	303 409 3426	CERAMIC 0.1U K 16V	C454	303 433 1112	CERAMIC 1U K 10V
C4423	303 409 3426	CERAMIC 0.1U K 16V	C456	303 401 2219	ELECT 100U M 6.3V
C4424	303 409 3426	CERAMIC 0.1U K 16V		303 424 0315	ELECT 100U M 6.3V
C4425	303 409 3426	CERAMIC 0.1U K 16V		403 458 7219	ELECT 100U M 6.3V
C4426	303 409 3426	CERAMIC 0.1U K 16V	C457	303 433 1112	CERAMIC 1U K 10V
C4427	303 409 3426	CERAMIC 0.1U K 16V	C458	303 433 1112	CERAMIC 1U K 10V
C4428	303 409 3426	CERAMIC 0.1U K 16V	C459	303 433 1112	CERAMIC 1U K 10V
C4429	303 409 3426	CERAMIC 0.1U K 16V	C461	303 433 1112	CERAMIC 1U K 10V
C443	303 433 1112	CERAMIC 1U K 10V	C462	303 433 1112	CERAMIC 1U K 10V
C4430	303 409 3426	CERAMIC 0.1U K 16V	C4622	303 409 3426	CERAMIC 0.1U K 16V
C4431	303 409 3426	CERAMIC 0.1U K 16V	C463	303 433 1112	CERAMIC 1U K 10V
C4432	303 409 3426	CERAMIC 0.1U K 16V	C464	303 433 1112	CERAMIC 1U K 10V
C4433	303 409 3426	CERAMIC 0.1U K 16V	C466	303 433 1112	CERAMIC 1U K 10V

Electrical Parts List

Key No.	Part No.	Description	Key No.	Part No.	Description
C467	303 433 1112	CERAMIC 1U K 10V	C5202	303 409 3426	CERAMIC 0.1U K 16V
C468	303 433 1112	CERAMIC 1U K 10V	C5203	303 381 5613	ELECT 220U M 16V
C469	303 433 1112	CERAMIC 1U K 10V		303 423 8916	ELECT 220U M 16V
C471	303 397 6611	ELECT 10U M 25V		403 458 4812	ELECT 220U M 16V
	303 387 6812	ELECT 10U M 25V	C5204	303 409 3426	CERAMIC 0.1U K 16V
C4711	303 409 3426	CERAMIC 0.1U K 16V	C5205	303 381 5613	ELECT 220U M 16V
C4712	303 409 3426	CERAMIC 0.1U K 16V		303 423 8916	ELECT 220U M 16V
C472	303 433 1112	CERAMIC 1U K 10V		403 458 4812	ELECT 220U M 16V
C4726	303 409 3426	CERAMIC 0.1U K 16V	C5206	303 409 3426	CERAMIC 0.1U K 16V
C4727	303 409 3426	CERAMIC 0.1U K 16V	C5207	303 381 5613	ELECT 220U M 16V
C473	303 433 1112	CERAMIC 1U K 10V		303 423 8916	ELECT 220U M 16V
C474	303 401 2219	ELECT 100U M 6.3V		403 458 4812	ELECT 220U M 16V
	303 424 0315	ELECT 100U M 6.3V	C5208	303 409 3426	CERAMIC 0.1U K 16V
	403 458 7219	ELECT 100U M 6.3V	C5221	303 409 3426	CERAMIC 0.1U K 16V
C476	303 433 1112	CERAMIC 1U K 10V	C5222	303 409 3426	CERAMIC 0.1U K 16V
C477	303 433 1112	CERAMIC 1U K 10V	C5223	303 409 3426	CERAMIC 0.1U K 16V
C478	303 433 1112	CERAMIC 1U K 10V	C5224	303 409 3426	CERAMIC 0.1U K 16V
C479	303 397 6611	ELECT 10U M 25V	C5225	303 409 3426	CERAMIC 0.1U K 16V
	303 387 6812	ELECT 10U M 25V	C5226	303 409 3426	CERAMIC 0.1U K 16V
C4801	303 381 5316	ELECT 100U M 16V	C5227	303 409 3426	CERAMIC 0.1U K 16V
	303 369 3211	ELECT 100U M 16V	C5228	303 409 3426	CERAMIC 0.1U K 16V
	403 458 7615	ELECT 100U M 16V	C5229	303 409 3426	CERAMIC 0.1U K 16V
C4802	303 314 5314	CERAMIC 5P C 50V	C5231	303 409 3426	CERAMIC 0.1U K 16V
C4803	303 314 5314	CERAMIC 5P C 50V	C5232	303 409 3426	CERAMIC 0.1U K 16V
C4808	303 409 3426	CERAMIC 0.1U K 16V	C5233	303 409 3426	CERAMIC 0.1U K 16V
C4809	303 409 3426	CERAMIC 0.1U K 16V	C5234	303 409 3426	CERAMIC 0.1U K 16V
C4811	303 409 3426	CERAMIC 0.1U K 16V	C5235	303 409 3426	CERAMIC 0.1U K 16V
C4812	303 409 3426	CERAMIC 0.1U K 16V	C5236	303 409 3426	CERAMIC 0.1U K 16V
C4821	303 409 3426	CERAMIC 0.1U K 16V	C5237	303 409 3426	CERAMIC 0.1U K 16V
C4822	303 409 3426	CERAMIC 0.1U K 16V	C5238	303 409 3426	CERAMIC 0.1U K 16V
C4823	303 409 3426	CERAMIC 0.1U K 16V	C5239	303 409 3426	CERAMIC 0.1U K 16V
C4824	303 409 3426	CERAMIC 0.1U K 16V	C5241	303 409 3426	CERAMIC 0.1U K 16V
C4825	303 358 3215	CERAMIC 10U K 6.3V	C5242	303 409 3426	CERAMIC 0.1U K 16V
	303 368 7319	CERAMIC 10U K 6.3V	C5243	303 409 3426	CERAMIC 0.1U K 16V
C4826	303 409 3426	CERAMIC 0.1U K 16V	C5244	303 409 3426	CERAMIC 0.1U K 16V
C4827	303 409 3426	CERAMIC 0.1U K 16V	C5245	303 409 3426	CERAMIC 0.1U K 16V
C4828	303 409 3426	CERAMIC 0.1U K 16V	C5246	303 409 3426	CERAMIC 0.1U K 16V
C4829	303 409 3426	CERAMIC 0.1U K 16V	C5247	303 409 3426	CERAMIC 0.1U K 16V
C4831	303 409 3426	CERAMIC 0.1U K 16V	C5248	303 409 3426	CERAMIC 0.1U K 16V
C4832	303 381 5316	ELECT 100U M 16V	C5249	303 409 3426	CERAMIC 0.1U K 16V
	303 369 3211	ELECT 100U M 16V	C5252	303 409 3426	CERAMIC 0.1U K 16V
	403 458 7615	ELECT 100U M 16V	C5254	303 381 5613	ELECT 220U M 16V
C4834	303 409 3426	CERAMIC 0.1U K 16V		303 423 8916	ELECT 220U M 16V
C501	303 398 4111	ELECT 47U M 16V		403 458 4812	ELECT 220U M 16V
	303 387 6515	ELECT 47U M 16V	C5255	303 409 3426	CERAMIC 0.1U K 16V
C502	303 433 1112	CERAMIC 1U K 10V	C5291	303 433 1112	CERAMIC 1U K 10V
C503	303 396 9613	CERAMIC 1U K 25V	C5292	303 358 3215	CERAMIC 10U K 6.3V
C504	303 396 9613	CERAMIC 1U K 25V		303 368 7319	CERAMIC 10U K 6.3V
C505	303 433 1112	CERAMIC 1U K 10V	C531	303 398 4111	ELECT 47U M 16V
C506	303 376 3112	ELECT 100U M 25V		303 387 6515	ELECT 47U M 16V
	303 374 7815	ELECT 100U M 25V	C532	303 433 1112	CERAMIC 1U K 10V
	303 444 0111	ELECT 100U M 25V	C533	303 396 9613	CERAMIC 1U K 25V
C507	303 396 9613	CERAMIC 1U K 25V	C5333	303 376 6311	CERAMIC 0.47U K 10V
C508	303 396 9613	CERAMIC 1U K 25V	C534	303 396 9613	CERAMIC 1U K 25V
C509	303 396 9613	CERAMIC 1U K 25V	C535	303 433 1112	CERAMIC 1U K 10V
C511	303 396 9613	CERAMIC 1U K 25V	C536	303 376 3112	ELECT 100U M 25V
C512	403 456 4210	CERAMIC 470P J 50V		303 374 7815	ELECT 100U M 25V
C513	303 396 9613	CERAMIC 1U K 25V		303 444 0111	ELECT 100U M 25V
C514	303 376 3112	ELECT 100U M 25V	C537	303 396 9613	CERAMIC 1U K 25V
	303 374 7815	ELECT 100U M 25V	C538	303 396 9613	CERAMIC 1U K 25V
	303 444 0111	ELECT 100U M 25V	C539	303 396 9613	CERAMIC 1U K 25V
C516	303 396 9613	CERAMIC 1U K 25V	C541	303 396 9613	CERAMIC 1U K 25V
C517	303 396 9613	CERAMIC 1U K 25V	C542	403 456 4210	CERAMIC 470P J 50V
C518	303 433 1112	CERAMIC 1U K 10V	C543	303 396 9613	CERAMIC 1U K 25V
C5201	303 381 5613	ELECT 220U M 16V	C544	303 376 3112	ELECT 100U M 25V
	303 423 8916	ELECT 220U M 16V		303 374 7815	ELECT 100U M 25V
	403 458 4812	ELECT 220U M 16V		303 444 0111	ELECT 100U M 25V

Electrical Parts List

Key No.	Part No.	Description	Key No.	Part No.	Description
C546	303 396 9613	CERAMIC 1U K 25V		303 444 0111	ELECT 100U M 25V
C547	303 396 9613	CERAMIC 1U K 25V	C5661	303 433 1112	CERAMIC 1U K 10V
C548	303 433 1112	CERAMIC 1U K 10V	C5662	303 376 6311	CERAMIC 0.47U K 10V
C5501	303 409 3426	CERAMIC 0.1U K 16V	C5663	303 358 3215	CERAMIC 10U K 6.3V
C5502	303 441 9810	CERAMIC 0.01U K 50V		303 368 7319	CERAMIC 10U K 6.3V
C5521	303 409 3426	CERAMIC 0.1U K 16V	C5666	303 401 2219	ELECT 100U M 6.3V
C5522	303 441 9810	CERAMIC 0.01U K 50V		303 424 0315	ELECT 100U M 6.3V
C5541	303 379 6714	CERAMIC 10U K 16V		403 458 7219	ELECT 100U M 6.3V
C5542	303 376 3112	ELECT 100U M 25V	C5667	303 409 3426	CERAMIC 0.1U K 16V
	303 374 7815	ELECT 100UM 25V	C567	303 396 9613	CERAMIC 1U K 25V
	303 444 0111	ELECT 100U M 25V	C5671	303 409 3426	CERAMIC 0.1U K 16V
C5543	303 369 0527	CERAMIC 0.01U K 25V	C5674	303 433 1112	CERAMIC 1U K 10V
C5544	303 376 3112	ELECT 100U M 25V	C5675	303 376 6311	CERAMIC 0.47U K 10V
	303 374 7815	ELECT 100UM 25V	C5676	303 358 3215	CERAMIC 10U K 6.3V
	303 444 0111	ELECT 100U M 25V		303 368 7319	CERAMIC 10U K 6.3V
C5545	303 409 3426	CERAMIC 0.1U K 16V	C5677	303 401 2219	ELECT 100U M 6.3V
C5546	303 409 3426	CERAMIC 0.1U K 16V		303 424 0315	ELECT 100U M 6.3V
C5547	303 409 3426	CERAMIC 0.1U K 16V		403 458 7219	ELECT 100U M 6.3V
C5548	303 409 3426	CERAMIC 0.1U K 16V	C5678	303 409 3426	CERAMIC 0.1U K 16V
C5549	303 409 3426	CERAMIC 0.1U K 16V	C568	303 396 9613	CERAMIC 1U K 25V
C5550	303 409 3426	CERAMIC 0.1U K 16V	C5681	303 433 1112	CERAMIC 1U K 10V
C5551	303 409 3426	CERAMIC 0.1U K 16V	C5682	303 433 1112	CERAMIC 1U K 10V
C5552	303 409 3426	CERAMIC 0.1U K 16V	C5683	303 358 3215	CERAMIC 10U K 6.3V
C5561	303 409 3426	CERAMIC 0.1U K 16V		303 368 7319	CERAMIC 10U K 6.3V
C5562	303 441 9810	CERAMIC 0.01U K 50V	C5686	303 341 3918	POS-SOLID 100U M 6.3V
C5567	303 433 1112	CERAMIC 1U K 10V	C569	303 396 9613	CERAMIC 1U K 25V
C561	303 398 4111	ELECT 47U M 16V	C571	303 396 9613	CERAMIC 1U K 25V
	303 387 6515	ELECT 47U M 16V	C572	403 456 4210	CERAMIC 470P J 50V
C5611	303 409 3426	CERAMIC 0.1U K 16V	C573	303 396 9613	CERAMIC 1U K 25V
C5612	303 409 3426	CERAMIC 0.1U K 16V	C574	303 376 3112	ELECT 100U M 25V
C5613	403 455 1616	CERAMIC 10U K 16V		303 374 7815	ELECT 100UM 25V
C5614	403 455 1616	CERAMIC 10U K 16V		303 444 0111	ELECT 100U M 25V
C5615	303 409 3426	CERAMIC 0.1U K 16V	C576	303 396 9613	CERAMIC 1U K 25V
C5616	303 369 0527	CERAMIC 0.01U K 25V	C577	303 396 9613	CERAMIC 1U K 25V
C5618	303 409 3426	CERAMIC 0.1U K 16V	C578	303 433 1112	CERAMIC 1U K 10V
C5619	303 450 7012	CERAMIC 47U K 10V	C5804	303 433 1112	CERAMIC 1U K 10V
C562	303 433 1112	CERAMIC 1U K 10V	C5881	303 401 2219	ELECT 100U M 6.3V
C5622	303 433 1112	CERAMIC 1U K 10V		303 424 0315	ELECT 100U M 6.3V
C5623	303 358 3215	CERAMIC 10U K 6.3V		403 458 7219	ELECT 100U M 6.3V
	303 368 7319	CERAMIC 10U K 6.3V	C5883	303 409 3426	CERAMIC 0.1U K 16V
C5625	303 433 1112	CERAMIC 1U K 10V	C5884	303 409 3426	CERAMIC 0.1U K 16V
C5626	303 376 6311	CERAMIC 0.47U K 10V	C5886	303 409 3426	CERAMIC 0.1U K 16V
C5627	303 409 3426	CERAMIC 0.1U K 16V	C5887	303 409 3426	CERAMIC 0.1U K 16V
C5628	303 401 2219	ELECT 100U M 6.3V	C5888	303 409 3426	CERAMIC 0.1U K 16V
	303 424 0315	ELECT 100U M 6.3V	C5889	303 409 3426	CERAMIC 0.1U K 16V
	403 458 7219	ELECT 100U M 6.3V	C5891	303 401 2219	ELECT 100U M 6.3V
C563	303 396 9613	CERAMIC 1U K 25V		303 424 0315	ELECT 100U M 6.3V
C5631	303 433 1112	CERAMIC 1U K 10V		403 458 7219	ELECT 100U M 6.3V
C5632	303 376 6311	CERAMIC 0.47U K 10V	C5892	303 381 5316	ELECT 100U M 16V
C5633	303 358 3215	CERAMIC 10U K 6.3V		303 369 3211	ELECT 100U M 16V
	303 368 7319	CERAMIC 10U K 6.3V		403 458 7615	ELECT 100U M 16V
C5636	303 401 2219	ELECT 100U M 6.3V	C596	303 376 3112	ELECT 100U M 25V
	303 424 0315	ELECT 100U M 6.3V		303 374 7815	ELECT 100UM 25V
	403 458 7219	ELECT 100U M 6.3V		303 444 0111	ELECT 100U M 25V
C5637	303 409 3426	CERAMIC 0.1U K 16V	C597	303 367 0410	CERAMIC 0.1U K 50V
C564	303 396 9613	CERAMIC 1U K 25V	C598	303 376 3112	ELECT 100U M 25V
C5646	303 433 1112	CERAMIC 1U K 10V		303 374 7815	ELECT 100UM 25V
C565	303 433 1112	CERAMIC 1U K 10V		303 444 0111	ELECT 100U M 25V
C5651	403 455 1616	CERAMIC 10U K 16V	C599	303 367 0410	CERAMIC 0.1U K 50V
C5652	403 455 1616	CERAMIC 10U K 16V	C6501	303 396 9613	CERAMIC 1U K 25V
C5653	303 409 3426	CERAMIC 0.1U K 16V	C6502	303 441 9810	CERAMIC 0.01U K 50V
C5654	303 409 3426	CERAMIC 0.1U K 16V	C6521	303 367 0410	CERAMIC 0.1U K 50V
C5655	303 369 0527	CERAMIC 0.01U K 25V	C6522	303 441 9810	CERAMIC 0.01U K 50V
C5657	303 409 3426	CERAMIC 0.1U K 16V	C6541	303 409 3426	CERAMIC 0.1U K 16V
C5658	303 450 7012	CERAMIC 47U K 10V	C6571	303 409 3426	CERAMIC 0.1U K 16V
C566	303 376 3112	ELECT 100U M 25V	C6631	303 376 3112	ELECT 100U M 25V
	303 374 7815	ELECT 100UM 25V		303 374 7815	ELECT 100UM 25V

Electrical Parts List

Key No.	Part No.	Description	Key No.	Part No.	Description
	303 444 0111	ELECT	100U M	25V	
C6632	303 379 6714	CERAMIC	10U K	16V	
C6633	303 376 3112	ELECT	100U M	25V	
	303 374 7815	ELECT	100UM	25V	
	303 444 0111	ELECT	100U M	25V	
C6634	303 367 0410	CERAMIC	0.1U K	50V	
C6652	303 379 6714	CERAMIC	10U K	16V	
C6653	303 397 5911	ELECT	1000U M	10V	
	403 458 4713	ELECT	1000U M	10V	
C6654	303 379 6714	CERAMIC	10U K	16V	
C6655	303 379 6714	CERAMIC	10U K	16V	
C6656	303 397 5911	ELECT	1000U M	10V	
	403 458 4713	ELECT	1000U M	10V	
C6657	303 396 9613	CERAMIC	1U K	25V	
C6658	303 442 0410	CERAMIC	0.022U K	25V	
C6660	303 433 1112	CERAMIC	1U K	10V	
C6661	303 409 3426	CERAMIC	0.1U K	16V	
C6663	303 409 3426	CERAMIC	0.1U K	16V	
C6666	303 265 3216	CERAMIC	1000P J	50V	
C6667	303 305 4715	CERAMIC	330P J	50V	
C6668	303 381 9918	ELECT	470U M	16V	
	303 407 3517	ELECT	470U M	16V	
	403 458 5017	ELECT	470U M	16V	
C6671	303 379 6714	CERAMIC	10U K	16V	
C6681	303 450 2215	CERAMIC	0.22U K	25V	
C6682	303 367 0410	CERAMIC	0.1U K	50V	
C6684	303 155 2312	CERAMIC	4700P K	50V	
C6686	303 367 0410	CERAMIC	0.1U K	50V	
C6687	303 381 5613	ELECT	220U M	16V	
	303 423 8916	ELECT	220U M	16V	
	403 458 4812	ELECT	220U M	16V	
C6688	303 381 5613	ELECT	220U M	16V	
	303 423 8916	ELECT	220U M	16V	
	403 458 4812	ELECT	220U M	16V	
C6691	303 393 0019	ELECT	470U M	25V	
	303 420 1415	ELECT	470U M	25V	
	403 458 4614	ELECT	470U M	25V	
C6693	303 367 0410	CERAMIC	0.1U K	50V	
C6694	303 409 3426	CERAMIC	0.1U K	16V	
C6696	303 397 8714	NP-ELECT	22U M	16V	
C6697	303 397 8714	NP-ELECT	22U M	16V	
C6698	303 409 3426	CERAMIC	0.1U K	16V	
C7701	303 396 9613	CERAMIC	1U K	25V	
C7703	303 367 0410	CERAMIC	0.1U K	50V	
C7704	303 367 0410	CERAMIC	0.1U K	50V	
C7706	303 367 0410	CERAMIC	0.1U K	50V	
C7707	303 381 5613	ELECT	220U M	16V	
	303 423 8916	ELECT	220U M	16V	
	403 458 4812	ELECT	220U M	16V	
C7709	303 336 3510	CERAMIC	0.47U K	16V	
C7711	303 433 1112	CERAMIC	1U K	10V	
C7712	303 409 3426	CERAMIC	0.1U K	16V	
C7713	303 381 9918	ELECT	470U M	16V	
	303 407 3517	ELECT	470U M	16V	
	403 458 5017	ELECT	470U M	16V	
C7714	303 433 1112	CERAMIC	1U K	10V	
C7716	303 358 3215	CERAMIC	10U K	6.3V	
	303 368 7319	CERAMIC	10U K	6.3V	
C7721	303 396 9613	CERAMIC	1U K	25V	
C7723	303 367 0410	CERAMIC	0.1U K	50V	
C7724	303 367 0410	CERAMIC	0.1U K	50V	
C7726	303 367 0410	CERAMIC	0.1U K	50V	
C7727	303 381 5613	ELECT	220U M	16V	
	303 423 8916	ELECT	220U M	16V	
	403 458 4812	ELECT	220U M	16V	
C7728	303 336 3510	CERAMIC	0.47U K	16V	
C7729	303 336 3510	CERAMIC	0.47U K	16V	
C7731	303 433 1112	CERAMIC	1U K	10V	
C7732	303 409 3426	CERAMIC	0.1U K	16V	
C7733	303 381 9918	ELECT	470U M	16V	
	303 407 3517	ELECT	470U M	16V	
	403 458 5017	ELECT	470U M	16V	
C7734	303 433 1112	CERAMIC	1U K	10V	
C7736	303 358 3215	CERAMIC	10U K	6.3V	
	303 368 7319	CERAMIC	10U K	6.3V	
C7792	303 409 3426	CERAMIC	0.1U K	16V	
C7793	303 409 3426	CERAMIC	0.1U K	16V	
C7798	303 376 3112	ELECT	100U M	25V	
	303 374 7815	ELECT	100UM	25V	
	303 444 0111	ELECT	100U M	25V	
C7799	303 376 3112	ELECT	100U M	25V	
	303 374 7815	ELECT	100UM	25V	
	303 444 0111	ELECT	100U M	25V	
C7801	303 401 2219	ELECT	100U M	6.3V	
	303 424 0315	ELECT	100U M	6.3V	
	403 458 7219	ELECT	100U M	6.3V	
C7802	303 409 3426	CERAMIC	0.1U K	16V	
C7803	303 409 3426	CERAMIC	0.1U K	16V	
C7806	303 401 2219	ELECT	100U M	6.3V	
	303 424 0315	ELECT	100U M	6.3V	
	403 458 7219	ELECT	100U M	6.3V	
C7807	303 409 3426	CERAMIC	0.1U K	16V	
C7808	303 409 3426	CERAMIC	0.1U K	16V	
C7809	303 409 3426	CERAMIC	0.1U K	16V	
C7811	303 409 3426	CERAMIC	0.1U K	16V	
C7821	303 409 3426	CERAMIC	0.1U K	16V	
C7822	303 398 5415	ELECT	47U M	25V	
	303 387 7314	ELECT	47U M	25V	
C7823	303 441 9810	CERAMIC	0.01U K	50V	
C7824	303 441 9810	CERAMIC	0.01U K	50V	
C7825	303 381 5316	ELECT	100U M	16V	
	303 369 3211	ELECT	100U M	16V	
	403 458 7615	ELECT	100U M	16V	
C7831	303 409 3426	CERAMIC	0.1U K	16V	
C7832	303 409 3426	CERAMIC	0.1U K	16V	
C7833	303 381 5613	ELECT	220U M	16V	
	303 423 8916	ELECT	220U M	16V	
	403 458 4812	ELECT	220U M	16V	
C7834	303 409 3426	CERAMIC	0.1U K	16V	
C7841	303 409 3426	CERAMIC	0.1U K	16V	
C7842	303 398 5415	ELECT	47U M	25V	
	303 387 7314	ELECT	47U M	25V	
C7843	303 441 9810	CERAMIC	0.01U K	50V	
C7844	303 441 9810	CERAMIC	0.01U K	50V	
C7845	303 381 5316	ELECT	100U M	16V	
	303 369 3211	ELECT	100U M	16V	
	403 458 7615	ELECT	100U M	16V	
C7851	303 409 3426	CERAMIC	0.1U K	16V	
C7852	303 409 3426	CERAMIC	0.1U K	16V	
C7853	303 381 5613	ELECT	220U M	16V	
	303 423 8916	ELECT	220U M	16V	
	403 458 4812	ELECT	220U M	16V	
C7854	303 409 3426	CERAMIC	0.1U K	16V	
C7861	303 409 3426	CERAMIC	0.1U K	16V	
C7862	303 398 5415	ELECT	47U M	25V	
	303 387 7314	ELECT	47U M	25V	
C7863	303 441 9810	CERAMIC	0.01U K	50V	
C7864	303 441 9810	CERAMIC	0.01U K	50V	
C7865	303 381 5316	ELECT	100U M	16V	
	303 369 3211	ELECT	100U M	16V	
	403 458 7615	ELECT	100U M	16V	
C7871	303 409 3426	CERAMIC	0.1U K	16V	
C7872	303 409 3426	CERAMIC	0.1U K	16V	
C7873	303 409 3426	CERAMIC	0.1U K	16V	

Electrical Parts List

Key No.	Part No.	Description	Key No.	Part No.	Description
C7874	303 409 3426	CERAMIC 0.1U K 16V	C8239	303 424 7017	CERAMIC 0.047U K 25V
C7876	303 381 5613	ELECT 220U M 16V	C8241	303 409 3426	CERAMIC 0.1U K 16V
	303 423 8916	ELECT 220U M 16V	C8242	303 409 3426	CERAMIC 0.1U K 16V
	403 458 4812	ELECT 220U M 16V	C8243	303 409 3426	CERAMIC 0.1U K 16V
C7877	303 381 5613	ELECT 220U M 16V	C8244	303 409 3426	CERAMIC 0.1U K 16V
	303 423 8916	ELECT 220U M 16V	C825	303 409 3426	CERAMIC 0.1U K 16V
	403 458 4812	ELECT 220U M 16V	C826	303 409 3426	CERAMIC 0.1U K 16V
C7881	303 409 3426	CERAMIC 0.1U K 16V	C8261	303 409 3426	CERAMIC 0.1U K 16V
C7882	303 398 5415	ELECT 47U M 25V	C8262	303 409 3426	CERAMIC 0.1U K 16V
	303 387 7314	ELECT 47U M 25V	C8263	303 424 7017	CERAMIC 0.047U K 25V
C7883	303 441 9810	CERAMIC 0.01U K 50V	C8264	303 409 3426	CERAMIC 0.1U K 16V
C7884	303 441 9810	CERAMIC 0.01U K 50V	C8266	303 424 7017	CERAMIC 0.047U K 25V
C7885	303 381 5316	ELECT 100U M 16V	C8267	303 424 7017	CERAMIC 0.047U K 25V
	303 369 3211	ELECT 100U M 16V	C8268	303 409 3426	CERAMIC 0.1U K 16V
	403 458 7615	ELECT 100U M 16V	C8269	303 424 7017	CERAMIC 0.047U K 25V
C7886	303 409 3426	CERAMIC 0.1U K 16V	C8271	303 409 3426	CERAMIC 0.1U K 16V
C7888	303 409 3426	CERAMIC 0.1U K 16V	C8272	303 409 3426	CERAMIC 0.1U K 16V
C7889	303 381 5613	ELECT 220U M 16V	C8291	303 433 1112	CERAMIC 1U K 10V
	303 423 8916	ELECT 220U M 16V	C8292	303 409 3426	CERAMIC 0.1U K 16V
	403 458 4812	ELECT 220U M 16V	C8293	303 409 3426	CERAMIC 0.1U K 16V
C7891	303 409 3426	CERAMIC 0.1U K 16V	C8294	303 409 3426	CERAMIC 0.1U K 16V
C7921	303 409 3426	CERAMIC 0.1U K 16V	C8295	303 409 3426	CERAMIC 0.1U K 16V
C7922	303 398 5415	ELECT 47U M 25V	C8296	303 433 1112	CERAMIC 1U K 10V
	303 387 7314	ELECT 47U M 25V	C844	303 409 3426	CERAMIC 0.1U K 16V
C7923	303 441 9810	CERAMIC 0.01U K 50V	C9829	303 409 3426	CERAMIC 0.1U K 16V
C7924	303 441 9810	CERAMIC 0.01U K 50V	C9830	303 409 3426	CERAMIC 0.1U K 16V
C7925	303 381 5316	ELECT 100U M 16V	C9831	303 409 3426	CERAMIC 0.1U K 16V
	303 369 3211	ELECT 100U M 16V	C9832	303 215 2214	CERAMIC 0.01U K 50V
	403 458 7615	ELECT 100U M 16V	C9833	303 215 2214	CERAMIC 0.01U K 50V
C7931	303 409 3426	CERAMIC 0.1U K 16V	C9837	303 215 2214	CERAMIC 0.01U K 50V
C7932	303 409 3426	CERAMIC 0.1U K 16V	C9838	303 215 2214	CERAMIC 0.01U K 50V
C7933	303 381 5613	ELECT 220U M 16V	C9839	303 367 0410	CERAMIC 0.1U K 50V
	303 423 8916	ELECT 220U M 16V	C9842	303 376 3112	ELECT 100U M 25V
	403 458 4812	ELECT 220U M 16V		303 374 7815	ELECT 100UM 25V
C7934	303 409 3426	CERAMIC 0.1U K 16V		303 444 0111	ELECT 100U M 25V
C8001	303 409 3426	CERAMIC 0.1U K 16V	C9843	303 398 7815	ELECT 22U M 35V
C8002	303 409 3426	CERAMIC 0.1U K 16V	C9844	303 342 3313	CERAMIC 0.1U K 25V
C8003	303 409 3426	CERAMIC 0.1U K 16V	C9845	303 379 7315	CERAMIC 4700P K 50V
C8004	303 409 3426	CERAMIC 0.1U K 16V	C9846	303 342 3313	CERAMIC 0.1U K 25V
C8005	303 409 3426	CERAMIC 0.1U K 16V	C9847	303 306 6510	CERAMIC 8200P K 50V
C801	303 409 3426	CERAMIC 0.1U K 16V	C9848	303 342 3313	CERAMIC 0.1U K 25V
C8031	303 433 1112	CERAMIC 1U K 10V			
C8032	303 358 3215	CERAMIC 10U K 6.3V			
	303 368 7319	CERAMIC 10U K 6.3V			
C8033	303 409 3426	CERAMIC 0.1U K 16V	RESISTOR		
C8051	303 409 3426	CERAMIC 0.1U K 16V	R1227	301 272 7814	MT-GLAZE 100 FA 1/16W
C8052	303 409 3426	CERAMIC 0.1U K 16V	R1228	301 272 7814	MT-GLAZE 100 FA 1/16W
C8053	303 409 3426	CERAMIC 0.1U K 16V	R1229	301 272 7814	MT-GLAZE 100 FA 1/16W
C8054	303 409 3426	CERAMIC 0.1U K 16V	R1231	301 272 7814	MT-GLAZE 100 FA 1/16W
C8188	303 409 3426	CERAMIC 0.1U K 16V	R1232	301 272 7814	MT-GLAZE 100 FA 1/16W
C8201	303 409 3426	CERAMIC 0.1U K 16V	R1238	301 226 5415	MT-GLAZE 56 JA 1/16W
C8202	303 424 7017	CERAMIC 0.047U K 25V	R1239	301 226 5415	MT-GLAZE 56 JA 1/16W
C8203	303 424 7017	CERAMIC 0.047U K 25V	R1241	301 226 5415	MT-GLAZE 56 JA 1/16W
C8204	303 424 7017	CERAMIC 0.047U K 25V	R1242	301 226 1516	MT-GLAZE 0.000 ZA 1/16W
C8206	303 424 7017	CERAMIC 0.047U K 25V	R1243	301 225 1210	MT-GLAZE 4.7K JA 1/16W
C8207	303 409 3426	CERAMIC 0.1U K 16V	R1244	301 225 1210	MT-GLAZE 4.7K JA 1/16W
C8208	303 409 3426	CERAMIC 0.1U K 16V	R1246	301 225 1210	MT-GLAZE 4.7K JA 1/16W
C8209	303 409 3426	CERAMIC 0.1U K 16V	R1247	301 225 1210	MT-GLAZE 4.7K JA 1/16W
C821	303 409 3426	CERAMIC 0.1U K 16V	R1301	301 226 1516	MT-GLAZE 0.000 ZA 1/16W
C822	303 409 3426	CERAMIC 0.1U K 16V	R1303	301 224 9019	MT-GLAZE 10K JA 1/16W
C823	303 409 3426	CERAMIC 0.1U K 16V	R1304	301 226 1516	MT-GLAZE 0.000 ZA 1/16W
C8231	303 409 3426	CERAMIC 0.1U K 16V	R1306	301 224 9316	MT-GLAZE 1K JA 1/16W
C8232	303 409 3426	CERAMIC 0.1U K 16V	R1307	301 226 1516	MT-GLAZE 0.000 ZA 1/16W
C8233	303 409 3426	CERAMIC 0.1U K 16V	R1308	301 225 8110	MT-GLAZE 10 JA 1/16W
C8234	303 409 3426	CERAMIC 0.1U K 16V	R1309	301 226 1516	MT-GLAZE 0.000 ZA 1/16W
C8236	303 424 7017	CERAMIC 0.047U K 25V	R1311	301 304 3616	MT-GLAZE 1K DA 1/16W
C8237	303 424 7017	CERAMIC 0.047U K 25V	R1312	301 304 3616	MT-GLAZE 1K DA 1/16W
			R1313	301 225 0213	MT-GLAZE 3.3K JA 1/16W
			R1314	301 226 1516	MT-GLAZE 0.000 ZA 1/16W

Electrical Parts List

Key No.	Part No.	Description	Key No.	Part No.	Description
R1315	301 226 1516	MT-GLAZE 0.000 ZA 1/16W	R1393	401 344 1914	MT-GLAZE 10K DA 1/16W
R1316	301 225 8110	MT-GLAZE 10 JA 1/16W	R1394	301 312 6913	MT-GLAZE 160 JA 1/16W
R1317	301 225 0213	MT-GLAZE 3.3K JA 1/16W	R1395	401 344 1914	MT-GLAZE 10K DA 1/16W
R1318	301 224 9019	MT-GLAZE 10K JA 1/16W	R1396	301 226 1516	MT-GLAZE 0.000 ZA 1/16W
R1319	301 224 9019	MT-GLAZE 10K JA 1/16W	R1397	301 226 1516	MT-GLAZE 0.000 ZA 1/16W
R1320	301 224 9019	MT-GLAZE 10K JA 1/16W	R1398	301 224 9019	MT-GLAZE 10K JA 1/16W
R1321	301 338 1015	MT-GLAZE 49.9 DA 1/16W	R1399	301 224 9019	MT-GLAZE 10K JA 1/16W
R1322	301 338 1015	MT-GLAZE 49.9 DA 1/16W	R1404	301 226 1516	MT-GLAZE 0.000 ZA 1/16W
R1323	301 226 1516	MT-GLAZE 0.000 ZA 1/16W	R1405	301 226 1516	MT-GLAZE 0.000 ZA 1/16W
R1324	301 226 1516	MT-GLAZE 0.000 ZA 1/16W	R1407	301 224 9019	MT-GLAZE 10K JA 1/16W
R1325	301 226 1516	MT-GLAZE 0.000 ZA 1/16W	R1408	301 226 1516	MT-GLAZE 0.000 ZA 1/16W
R1326	301 226 1516	MT-GLAZE 0.000 ZA 1/16W	R1409	301 226 1516	MT-GLAZE 0.000 ZA 1/16W
R1327	301 226 1516	MT-GLAZE 0.000 ZA 1/16W	R1410	301 225 1210	MT-GLAZE 4.7K JA 1/16W
R1328	301 226 1516	MT-GLAZE 0.000 ZA 1/16W	R1415	301 225 1210	MT-GLAZE 4.7K JA 1/16W
R1329	301 226 1516	MT-GLAZE 0.000 ZA 1/16W	R1416	301 226 1516	MT-GLAZE 0.000 ZA 1/16W
R1331	301 226 1516	MT-GLAZE 0.000 ZA 1/16W	R1417	301 226 1516	MT-GLAZE 0.000 ZA 1/16W
R1332	301 225 1210	MT-GLAZE 4.7K JA 1/16W	R1419	301 225 8110	MT-GLAZE 10 JA 1/16W
R1335	301 225 1210	MT-GLAZE 4.7K JA 1/16W	R1421	301 224 9712	MT-GLAZE 22 JA 1/16W
R1336	301 224 9316	MT-GLAZE 1K JA 1/16W	R1423	301 224 9712	MT-GLAZE 22 JA 1/16W
R1337	301 224 9019	MT-GLAZE 10K JA 1/16W	R1426	301 224 9712	MT-GLAZE 22 JA 1/16W
R1338	301 225 0213	MT-GLAZE 3.3K JA 1/16W	R1429	301 224 8814	MT-GLAZE 100 JA 1/16W
R1339	301 225 0213	MT-GLAZE 3.3K JA 1/16W	R1431	301 224 9712	MT-GLAZE 22 JA 1/16W
R1340	301 226 1516	MT-GLAZE 0.000 ZA 1/16W	R1433	301 224 9712	MT-GLAZE 22 JA 1/16W
R1341	301 226 1516	MT-GLAZE 0.000 ZA 1/16W	R1437	301 224 9712	MT-GLAZE 22 JA 1/16W
R1342	301 226 1516	MT-GLAZE 0.000 ZA 1/16W	R1441	301 272 7814	MT-GLAZE 100 FA 1/16W
R1343	301 226 1516	MT-GLAZE 0.000 ZA 1/16W	R1442	301 294 2910	MT-GLAZE 560 FA 1/16W
R1344	301 224 8913	MT-GLAZE 100K JA 1/16W	R1443	301 294 3115	MT-GLAZE 1K FA 1/16W
R1345	301 224 9316	MT-GLAZE 1K JA 1/16W	R1451	301 225 7915	MT-GLAZE 220 JA 1/16W
R1346	301 224 9316	MT-GLAZE 1K JA 1/16W	R1452	301 294 3016	MT-GLAZE 10K FA 1/16W
R1347	301 224 9316	MT-GLAZE 1K JA 1/16W	R1453	301 294 3016	MT-GLAZE 10K FA 1/16W
R1348	301 224 9316	MT-GLAZE 1K JA 1/16W	R1454	301 225 1715	MT-GLAZE 39K JA 1/16W
R1349	301 224 9316	MT-GLAZE 1K JA 1/16W	R1455	301 224 9019	MT-GLAZE 10K JA 1/16W
R1350	301 226 2414	MT-GLAZE 560 JA 1/16W	R1457	301 234 9917	MT-GLAZE 6.8K JA 1/16W
R1351	301 224 9415	MT-GLAZE 1M JA 1/16W	R1458	301 225 0114	MT-GLAZE 27K JA 1/16W
R1352	301 256 3214	MT-GLAZE 1.5M JA 1/10W	R1459	301 224 9019	MT-GLAZE 10K JA 1/16W
R1353	301 226 1516	MT-GLAZE 0.000 ZA 1/16W	R1461	301 035 4111	MT-GLAZE 0.000 ZA 1/8W
R1354	301 226 1516	MT-GLAZE 0.000 ZA 1/16W	R1464	301 035 4111	MT-GLAZE 0.000 ZA 1/8W
R1355	301 226 1516	MT-GLAZE 0.000 ZA 1/16W	R1466	301 224 9019	MT-GLAZE 10K JA 1/16W
R1356	301 226 1516	MT-GLAZE 0.000 ZA 1/16W	R1467	301 224 9019	MT-GLAZE 10K JA 1/16W
R1357	301 224 9316	MT-GLAZE 1K JA 1/16W	R1468	301 225 0114	MT-GLAZE 27K JA 1/16W
R1358	301 226 1516	MT-GLAZE 0.000 ZA 1/16W	R1471	301 224 9019	MT-GLAZE 10K JA 1/16W
R1359	301 225 3818	MT-GLAZE 1.5K JA 1/16W	R1472	301 224 9019	MT-GLAZE 10K JA 1/16W
R1361	301 225 1210	MT-GLAZE 4.7K JA 1/16W	R1473	301 224 9019	MT-GLAZE 10K JA 1/16W
R1362	301 225 0213	MT-GLAZE 3.3K JA 1/16W	R1474	301 224 9019	MT-GLAZE 10K JA 1/16W
R1363	301 225 1210	MT-GLAZE 4.7K JA 1/16W	R1476	301 226 1516	MT-GLAZE 0.000 ZA 1/16W
R1364	301 225 0213	MT-GLAZE 3.3K JA 1/16W	R1477	301 226 1516	MT-GLAZE 0.000 ZA 1/16W
R1366	301 224 9019	MT-GLAZE 10K JA 1/16W	R1481	301 226 1516	MT-GLAZE 0.000 ZA 1/16W
R1367	301 225 0213	MT-GLAZE 3.3K JA 1/16W	R1484	301 226 1516	MT-GLAZE 0.000 ZA 1/16W
R1368	301 224 9019	MT-GLAZE 10K JA 1/16W	R1485	301 226 1516	MT-GLAZE 0.000 ZA 1/16W
R1369	301 225 0213	MT-GLAZE 3.3K JA 1/16W	R1486	301 226 1516	MT-GLAZE 0.000 ZA 1/16W
R1370	301 226 1516	MT-GLAZE 0.000 ZA 1/16W	R1487	301 226 1516	MT-GLAZE 0.000 ZA 1/16W
R1371	301 224 9019	MT-GLAZE 10K JA 1/16W	R1491	301 225 1210	MT-GLAZE 4.7K JA 1/16W
R1372	301 226 1516	MT-GLAZE 0.000 ZA 1/16W	R1492	301 225 1210	MT-GLAZE 4.7K JA 1/16W
R1373	301 226 1516	MT-GLAZE 0.000 ZA 1/16W	R1493	301 225 1210	MT-GLAZE 4.7K JA 1/16W
R1374	301 226 1516	MT-GLAZE 0.000 ZA 1/16W	R1494	301 225 1210	MT-GLAZE 4.7K JA 1/16W
R1375	301 226 1516	MT-GLAZE 0.000 ZA 1/16W	R1495	301 225 1210	MT-GLAZE 4.7K JA 1/16W
R1376	301 226 1516	MT-GLAZE 0.000 ZA 1/16W	R1496	301 225 1210	MT-GLAZE 4.7K JA 1/16W
R1378	301 224 9019	MT-GLAZE 10K JA 1/16W	R1497	301 225 1210	MT-GLAZE 4.7K JA 1/16W
R1379	301 225 0213	MT-GLAZE 3.3K JA 1/16W	R1498	301 225 1210	MT-GLAZE 4.7K JA 1/16W
R1380	301 226 1516	MT-GLAZE 0.000 ZA 1/16W	R1502	301 226 1516	MT-GLAZE 0.000 ZA 1/16W
R1381	301 226 1516	MT-GLAZE 0.000 ZA 1/16W	R1503	301 226 1516	MT-GLAZE 0.000 ZA 1/16W
R1382	301 226 1516	MT-GLAZE 0.000 ZA 1/16W	R1504	301 226 1516	MT-GLAZE 0.000 ZA 1/16W
R1385	301 225 0213	MT-GLAZE 3.3K JA 1/16W	R1507	301 226 1516	MT-GLAZE 0.000 ZA 1/16W
R1387	301 225 0213	MT-GLAZE 3.3K JA 1/16W	R1510	301 225 8110	MT-GLAZE 10 JA 1/16W
R1388	301 225 0213	MT-GLAZE 3.3K JA 1/16W	R1512	301 224 9019	MT-GLAZE 10K JA 1/16W
R1391	301 037 5017	MT-GLAZE 0.000 ZA 1/10W	R1514	301 225 8110	MT-GLAZE 10 JA 1/16W
R1392	301 225 1715	MT-GLAZE 39K JA 1/16W	R1515	301 224 9019	MT-GLAZE 10K JA 1/16W

Electrical Parts List

Key No.	Part No.	Description	Key No.	Part No.	Description
R1532	301 226 1516	MT-GLAZE 0.000 ZA 1/16W	R2214	301 225 8110	MT-GLAZE 10 JA 1/16W
R1533	301 226 1516	MT-GLAZE 0.000 ZA 1/16W	R2215	301 225 8110	MT-GLAZE 10 JA 1/16W
R1534	301 226 1516	MT-GLAZE 0.000 ZA 1/16W	R2216	301 225 8110	MT-GLAZE 10 JA 1/16W
R1536	301 226 1516	MT-GLAZE 0.000 ZA 1/16W	R2217	301 225 8110	MT-GLAZE 10 JA 1/16W
R1539	301 226 1516	MT-GLAZE 0.000 ZA 1/16W	R222	301 226 1516	MT-GLAZE 0.000 ZA 1/16W
R1540	301 225 8110	MT-GLAZE 10 JA 1/16W	R2222	301 225 1210	MT-GLAZE 4.7K JA 1/16W
R1542	301 224 9019	MT-GLAZE 10K JA 1/16W	R2223	301 225 1418	MT-GLAZE 47K JA 1/16W
R1544	301 226 1516	MT-GLAZE 0.000 ZA 1/16W	R2227	301 226 1516	MT-GLAZE 0.000 ZA 1/16W
R1545	301 224 9019	MT-GLAZE 10K JA 1/16W	R2228	301 226 1516	MT-GLAZE 0.000 ZA 1/16W
R1562	301 226 1516	MT-GLAZE 0.000 ZA 1/16W	R223	301 226 1516	MT-GLAZE 0.000 ZA 1/16W
R1563	301 226 1516	MT-GLAZE 0.000 ZA 1/16W	R2231	301 225 8110	MT-GLAZE 10 JA 1/16W
R1564	301 226 1516	MT-GLAZE 0.000 ZA 1/16W	R2232	301 226 1516	MT-GLAZE 0.000 ZA 1/16W
R1566	301 226 1516	MT-GLAZE 0.000 ZA 1/16W	R2234	301 226 1516	MT-GLAZE 0.000 ZA 1/16W
R1568	301 226 1516	MT-GLAZE 0.000 ZA 1/16W	R2235	301 226 1516	MT-GLAZE 0.000 ZA 1/16W
R1570	301 225 8110	MT-GLAZE 10 JA 1/16W	R2236	301 226 1516	MT-GLAZE 0.000 ZA 1/16W
R1572	301 224 9019	MT-GLAZE 10K JA 1/16W	R224	301 226 1516	MT-GLAZE 0.000 ZA 1/16W
R1574	301 225 8110	MT-GLAZE 10 JA 1/16W	R225	301 226 1516	MT-GLAZE 0.000 ZA 1/16W
R1575	301 224 9019	MT-GLAZE 10K JA 1/16W	R2251	301 336 8818	MT-GLAZE 6.8K FA 1/16W
R1817	301 224 9019	MT-GLAZE 10K JA 1/16W	R2252	301 294 3016	MT-GLAZE 10K FA 1/16W
R1825	301 226 1516	MT-GLAZE 0.000 ZA 1/16W	R2253	301 294 3016	MT-GLAZE 10K FA 1/16W
R1826	301 226 1516	MT-GLAZE 0.000 ZA 1/16W	R2254	301 259 7823	MT-GLAZE 20K JA 1/16W
R1828	301 299 2410	MT-GLAZE 5.6K FA 1/16W	R226	301 226 1516	MT-GLAZE 0.000 ZA 1/16W
R1829	301 226 1516	MT-GLAZE 0.000 ZA 1/16W	R2261	301 259 7823	MT-GLAZE 20K JA 1/16W
R1830	301 226 1516	MT-GLAZE 0.000 ZA 1/16W	R2262	301 272 7814	MT-GLAZE 100 FA 1/16W
R1836	301 226 1516	MT-GLAZE 0.000 ZA 1/16W	R2263	301 294 2910	MT-GLAZE 560 FA 1/16W
R1840	301 224 9514	MT-GLAZE 2.2K JA 1/16W	R2264	301 294 3115	MT-GLAZE 1K FA 1/16W
R1844	301 226 1516	MT-GLAZE 0.000 ZA 1/16W	R2265	301 224 8814	MT-GLAZE 100 JA 1/16W
R1846	301 226 1516	MT-GLAZE 0.000 ZA 1/16W	R227	301 226 1516	MT-GLAZE 0.000 ZA 1/16W
R1848	301 224 9019	MT-GLAZE 10K JA 1/16W	R228	301 226 1516	MT-GLAZE 0.000 ZA 1/16W
R1851	301 224 8814	MT-GLAZE 100 JA 1/16W	R2301	301 225 0312	MT-GLAZE 33 JA 1/16W
R1852	301 226 1516	MT-GLAZE 0.000 ZA 1/16W	R2302	301 224 9019	MT-GLAZE 10K JA 1/16W
R1854	301 226 1516	MT-GLAZE 0.000 ZA 1/16W	R2303	301 224 9019	MT-GLAZE 10K JA 1/16W
R1856	301 226 1516	MT-GLAZE 0.000 ZA 1/16W	R2309	301 224 9019	MT-GLAZE 10K JA 1/16W
R1857	301 224 9316	MT-GLAZE 1K JA 1/16W	R231	301 226 1516	MT-GLAZE 0.000 ZA 1/16W
R1862	301 224 9019	MT-GLAZE 10K JA 1/16W	R2311	301 224 9019	MT-GLAZE 10K JA 1/16W
R1863	301 224 9019	MT-GLAZE 10K JA 1/16W	R2313	301 224 9019	MT-GLAZE 10K JA 1/16W
R1864	301 226 1516	MT-GLAZE 0.000 ZA 1/16W	R2315	301 226 1516	MT-GLAZE 0.000 ZA 1/16W
R1866	301 224 8814	MT-GLAZE 100 JA 1/16W	R2316	301 226 1516	MT-GLAZE 0.000 ZA 1/16W
R1870	301 226 1516	MT-GLAZE 0.000 ZA 1/16W	R2317	301 226 1516	MT-GLAZE 0.000 ZA 1/16W
R1871	301 226 1516	MT-GLAZE 0.000 ZA 1/16W	R2319	301 224 9019	MT-GLAZE 10K JA 1/16W
R1872	301 226 1516	MT-GLAZE 0.000 ZA 1/16W	R232	301 226 1516	MT-GLAZE 0.000 ZA 1/16W
R1874	301 226 1516	MT-GLAZE 0.000 ZA 1/16W	R2322	301 224 9019	MT-GLAZE 10K JA 1/16W
R1875	301 225 0015	MT-GLAZE 270 JA 1/16W	R2324	301 224 9019	MT-GLAZE 10K JA 1/16W
R1878	301 227 5612	MT-GLAZE 8.2K JA 1/16W	R2326	301 224 9019	MT-GLAZE 10K JA 1/16W
R1879	301 227 5612	MT-GLAZE 8.2K JA 1/16W	R2327	301 224 9019	MT-GLAZE 10K JA 1/16W
R1880	301 227 5612	MT-GLAZE 8.2K JA 1/16W	R2329	301 226 1516	MT-GLAZE 0.000 ZA 1/16W
R1881	301 225 0015	MT-GLAZE 270 JA 1/16W	R233	301 226 1516	MT-GLAZE 0.000 ZA 1/16W
R1882	301 227 5612	MT-GLAZE 8.2K JA 1/16W	R2331	301 226 1516	MT-GLAZE 0.000 ZA 1/16W
R1883	301 226 1516	MT-GLAZE 0.000 ZA 1/16W	R2332	301 226 1516	MT-GLAZE 0.000 ZA 1/16W
R1884	301 225 0213	MT-GLAZE 3.3K JA 1/16W	R2333	301 224 9712	MT-GLAZE 22 JA 1/16W
R1885	301 225 0213	MT-GLAZE 3.3K JA 1/16W	R2334	301 224 9712	MT-GLAZE 22 JA 1/16W
R1886	301 224 9019	MT-GLAZE 10K JA 1/16W	R2335	301 298 5511	MT-GLAZE 8.2K FA 1/16W
R1887	301 225 0213	MT-GLAZE 3.3K JA 1/16W	R2336	301 224 9415	MT-GLAZE 1M JA 1/16W
R1888	301 226 1516	MT-GLAZE 0.000 ZA 1/16W	R2337	301 224 9019	MT-GLAZE 10K JA 1/16W
R1889	301 226 1516	MT-GLAZE 0.000 ZA 1/16W	R2338	301 224 8814	MT-GLAZE 100 JA 1/16W
R206	301 226 1516	MT-GLAZE 0.000 ZA 1/16W	R2339	301 224 9712	MT-GLAZE 22 JA 1/16W
R207	301 226 1516	MT-GLAZE 0.000 ZA 1/16W	R234	301 226 1516	MT-GLAZE 0.000 ZA 1/16W
R208	301 226 1516	MT-GLAZE 0.000 ZA 1/16W	R2341	301 224 9712	MT-GLAZE 22 JA 1/16W
R211	301 226 1516	MT-GLAZE 0.000 ZA 1/16W	R2342	301 224 9712	MT-GLAZE 22 JA 1/16W
R212	301 226 1516	MT-GLAZE 0.000 ZA 1/16W	R2343	301 224 9712	MT-GLAZE 22 JA 1/16W
R213	301 226 1516	MT-GLAZE 0.000 ZA 1/16W	R2344	301 224 9712	MT-GLAZE 22 JA 1/16W
R214	301 226 1516	MT-GLAZE 0.000 ZA 1/16W	R2345	301 224 9712	MT-GLAZE 22 JA 1/16W
R215	301 226 1516	MT-GLAZE 0.000 ZA 1/16W	R2346	301 225 1814	MT-GLAZE 47 JA 1/16W
R221	301 226 1516	MT-GLAZE 0.000 ZA 1/16W	R2347	301 225 1814	MT-GLAZE 47 JA 1/16W
R2211	301 225 1319	MT-GLAZE 470 JA 1/16W	R2348	301 224 9712	MT-GLAZE 22 JA 1/16W
R2212	301 225 8110	MT-GLAZE 10 JA 1/16W	R2349	301 225 1814	MT-GLAZE 47 JA 1/16W
R2213	301 225 8110	MT-GLAZE 10 JA 1/16W	R235	301 226 1516	MT-GLAZE 0.000 ZA 1/16W

Electrical Parts List

Key No.	Part No.	Description	Key No.	Part No.	Description
R2350	301 226 1516	MT-GLAZE 0.000 ZA 1/16W	R2561	301 225 8110	MT-GLAZE 10 JA 1/16W
R2351	301 226 1516	MT-GLAZE 0.000 ZA 1/16W	R2562	301 226 1516	MT-GLAZE 0.000 ZA 1/16W
R2353	301 224 9019	MT-GLAZE 10K JA 1/16W	R2563	301 225 0213	MT-GLAZE 3.3K JA 1/16W
R2356	301 224 9019	MT-GLAZE 10K JA 1/16W	R2564	301 259 2115	MT-GLAZE 1 JA 1/16W
R2357	301 224 9019	MT-GLAZE 10K JA 1/16W	R2566	301 226 1516	MT-GLAZE 0.000 ZA 1/16W
R2359	301 224 9019	MT-GLAZE 10K JA 1/16W	R2567	301 225 0213	MT-GLAZE 3.3K JA 1/16W
R236	301 224 9712	MT-GLAZE 22 JA 1/16W	R2568	301 259 2115	MT-GLAZE 1 JA 1/16W
R2362	301 224 9019	MT-GLAZE 10K JA 1/16W	R2569	301 226 1516	MT-GLAZE 0.000 ZA 1/16W
R2365	301 224 9316	MT-GLAZE 1K JA 1/16W	R2572	301 226 1516	MT-GLAZE 0.000 ZA 1/16W
R2369TM	301 025 6524	CARBON 20K JA 1/6W	R2573	301 224 8913	MT-GLAZE 100K JA 1/16W
R237	301 224 9712	MT-GLAZE 22 JA 1/16W	R2574	301 226 1516	MT-GLAZE 0.000 ZA 1/16W
R2370	301 226 1516	MT-GLAZE 0.000 ZA 1/16W	R2576	301 226 1516	MT-GLAZE 0.000 ZA 1/16W
R2372	301 226 1516	MT-GLAZE 0.000 ZA 1/16W	R258	301 225 1814	MT-GLAZE 47 JA 1/16W
R2373	301 263 6928	MT-GLAZE 2K JA 1/16W	R259	301 225 3818	MT-GLAZE 1.5K JA 1/16W
R2374	301 263 6928	MT-GLAZE 2K JA 1/16W	R261	301 226 1516	MT-GLAZE 0.000 ZA 1/16W
R2375	301 298 5818	MT-GLAZE 9.1K FA 1/16W	R262	301 224 8814	MT-GLAZE 100 JA 1/16W
R2376	401 342 9318	MT-GLAZE 360 FA 1/16W	R263	301 226 1516	MT-GLAZE 0.000 ZA 1/16W
R2377	301 294 3016	MT-GLAZE 10K FA 1/16W	R264	301 224 8814	MT-GLAZE 100 JA 1/16W
R2378	301 294 3115	MT-GLAZE 1K FA 1/16W	R265	301 226 1516	MT-GLAZE 0.000 ZA 1/16W
R2379	301 294 3115	MT-GLAZE 1K FA 1/16W	R266	301 225 1814	MT-GLAZE 47 JA 1/16W
R238	301 224 9712	MT-GLAZE 22 JA 1/16W	R267	301 226 1516	MT-GLAZE 0.000 ZA 1/16W
R2380	301 226 1516	MT-GLAZE 0.000 ZA 1/16W	R268	301 225 1814	MT-GLAZE 47 JA 1/16W
R2381	301 224 9019	MT-GLAZE 10K JA 1/16W	R269	301 226 1516	MT-GLAZE 0.000 ZA 1/16W
R2382	301 272 7814	MT-GLAZE 100 FA 1/16W	R275	301 226 1516	MT-GLAZE 0.000 ZA 1/16W
R2383	301 338 8113	MT-GLAZE 1.2K FA 1/16W	R2801	301 226 1516	MT-GLAZE 0.000 ZA 1/16W
R2384	301 294 3115	MT-GLAZE 1K FA 1/16W	R2802	301 226 1516	MT-GLAZE 0.000 ZA 1/16W
R2385	301 263 6928	MT-GLAZE 2K JA 1/16W	R2812	301 224 9019	MT-GLAZE 10K JA 1/16W
R2386	301 224 9019	MT-GLAZE 10K JA 1/16W	R2814	301 226 1516	MT-GLAZE 0.000 ZA 1/16W
R2387	301 224 9316	MT-GLAZE 1K JA 1/16W	R2816	301 226 1516	MT-GLAZE 0.000 ZA 1/16W
R2388	301 224 9316	MT-GLAZE 1K JA 1/16W	R2817	301 224 8814	MT-GLAZE 100 JA 1/16W
R2389	301 224 9316	MT-GLAZE 1K JA 1/16W	R2819	301 226 1516	MT-GLAZE 0.000 ZA 1/16W
R2390TM	301 255 6117	MT-GLAZE 20K JA 1/10W	R301	301 256 6017	MT-GLAZE 27K JA 1/10W
R2391	301 224 9316	MT-GLAZE 1K JA 1/16W	R303	301 224 9019	MT-GLAZE 10K JA 1/16W
R2392	301 224 9316	MT-GLAZE 1K JA 1/16W	R304	301 224 9019	MT-GLAZE 10K JA 1/16W
R2393	301 224 9316	MT-GLAZE 1K JA 1/16W	R308	401 344 1914	MT-GLAZE 10K DA 1/16W
R2394	301 263 6928	MT-GLAZE 2K JA 1/16W	R309	301 224 9019	MT-GLAZE 10K JA 1/16W
R2395	301 336 8818	MT-GLAZE 6.8K FA 1/16W	R311	301 263 7420	MT-GLAZE 75 JA 1/16W
R2396	301 294 3016	MT-GLAZE 10K FA 1/16W	R312	301 263 7420	MT-GLAZE 75 JA 1/16W
R2397	301 294 3016	MT-GLAZE 10K FA 1/16W	R313	301 263 7420	MT-GLAZE 75 JA 1/16W
R2398	301 263 6928	MT-GLAZE 2K JA 1/16W	R314	401 342 7314	MT-GLAZE 23.2K FA 1/16W
R240	301 224 9712	MT-GLAZE 22 JA 1/16W	R316	301 224 9019	MT-GLAZE 10K JA 1/16W
R2501	301 225 8110	MT-GLAZE 10 JA 1/16W	R317	301 224 9019	MT-GLAZE 10K JA 1/16W
R2502	301 226 1516	MT-GLAZE 0.000 ZA 1/16W	R318	301 298 5511	MT-GLAZE 8.2K FA 1/16W
R2503	301 225 0213	MT-GLAZE 3.3K JA 1/16W	R321	301 224 9712	MT-GLAZE 22 JA 1/16W
R2504	301 259 2115	MT-GLAZE 1 JA 1/16W	R322	301 224 9712	MT-GLAZE 22 JA 1/16W
R2506	301 226 1516	MT-GLAZE 0.000 ZA 1/16W	R323	301 225 0312	MT-GLAZE 33 JA 1/16W
R2507	301 225 0213	MT-GLAZE 3.3K JA 1/16W	R324	301 294 4518	MT-GLAZE 18K FA 1/16W
R2508	301 259 2115	MT-GLAZE 1 JA 1/16W	R325	301 224 9019	MT-GLAZE 10K JA 1/16W
R2509	301 226 1516	MT-GLAZE 0.000 ZA 1/16W	R326	301 225 1814	MT-GLAZE 47 JA 1/16W
R2522	301 226 1516	MT-GLAZE 0.000 ZA 1/16W	R327	301 225 1814	MT-GLAZE 47 JA 1/16W
R2523	301 224 8913	MT-GLAZE 100K JA 1/16W	R328	301 224 9712	MT-GLAZE 22 JA 1/16W
R2524	301 226 1516	MT-GLAZE 0.000 ZA 1/16W	R329	301 225 1814	MT-GLAZE 47 JA 1/16W
R2526	301 226 1516	MT-GLAZE 0.000 ZA 1/16W	R331	301 225 1814	MT-GLAZE 47 JA 1/16W
R2531	301 225 8110	MT-GLAZE 10 JA 1/16W	R332	301 225 1814	MT-GLAZE 47 JA 1/16W
R2532	301 226 1516	MT-GLAZE 0.000 ZA 1/16W	R333	301 225 1814	MT-GLAZE 47 JA 1/16W
R2533	301 225 0213	MT-GLAZE 3.3K JA 1/16W	R334	301 225 1814	MT-GLAZE 47 JA 1/16W
R2534	301 259 2115	MT-GLAZE 1 JA 1/16W	R335	301 224 9019	MT-GLAZE 10K JA 1/16W
R2536	301 226 1516	MT-GLAZE 0.000 ZA 1/16W	R336	301 225 1814	MT-GLAZE 47 JA 1/16W
R2537	301 225 0213	MT-GLAZE 3.3K JA 1/16W	R337	301 225 1814	MT-GLAZE 47 JA 1/16W
R2538	301 259 2115	MT-GLAZE 1 JA 1/16W	R338	301 226 1516	MT-GLAZE 0.000 ZA 1/16W
R2539	301 226 1516	MT-GLAZE 0.000 ZA 1/16W	R339	301 225 0213	MT-GLAZE 3.3K JA 1/16W
R255	301 226 1516	MT-GLAZE 0.000 ZA 1/16W	R3401	301 224 9316	MT-GLAZE 1K JA 1/16W
R2552	301 226 1516	MT-GLAZE 0.000 ZA 1/16W	R3402	301 224 9019	MT-GLAZE 10K JA 1/16W
R2553	301 224 8913	MT-GLAZE 100K JA 1/16W	R3403	301 224 9019	MT-GLAZE 10K JA 1/16W
R2554	301 226 1516	MT-GLAZE 0.000 ZA 1/16W	R3404	301 224 9019	MT-GLAZE 10K JA 1/16W
R2556	301 226 1516	MT-GLAZE 0.000 ZA 1/16W	R3405	301 224 9019	MT-GLAZE 10K JA 1/16W
R256	301 226 1516	MT-GLAZE 0.000 ZA 1/16W	R3406	301 224 9316	MT-GLAZE 1K JA 1/16W

Electrical Parts List

Key No.	Part No.	Description	Key No.	Part No.	Description
R3408	301 224 9316	MT-GLAZE 1K JA 1/16W	R436	301 224 9712	MT-GLAZE 22 JA 1/16W
R3412	301 226 1516	MT-GLAZE 0.000 ZA 1/16W	R437	301 224 9712	MT-GLAZE 22 JA 1/16W
R3413	301 226 1516	MT-GLAZE 0.000 ZA 1/16W	R438	301 224 9712	MT-GLAZE 22 JA 1/16W
R3427	301 225 1715	MT-GLAZE 39K JA 1/16W	R439	301 224 9712	MT-GLAZE 22 JA 1/16W
R3428	301 263 6928	MT-GLAZE 2K JA 1/16W	R4401	301 224 9316	MT-GLAZE 1K JA 1/16W
R3431	301 299 4810	MT-GLAZE 2.7K FA 1/16W	R4402	301 224 9316	MT-GLAZE 1K JA 1/16W
R3432	401 342 9219	MT-GLAZE 270 FA 1/16W	R4403	301 224 9316	MT-GLAZE 1K JA 1/16W
R3433	301 294 3016	MT-GLAZE 10K FA 1/16W	R4404	301 224 9712	MT-GLAZE 22 JA 1/16W
R3436	301 224 9316	MT-GLAZE 1K JA 1/16W	R4405	301 224 9712	MT-GLAZE 22 JA 1/16W
R3441	301 225 1715	MT-GLAZE 39K JA 1/16W	R4406	301 224 9712	MT-GLAZE 22 JA 1/16W
R3442	301 225 7915	MT-GLAZE 220 JA 1/16W	R4407	301 224 9712	MT-GLAZE 22 JA 1/16W
R3443	301 294 3016	MT-GLAZE 10K FA 1/16W	R4408	301 224 9712	MT-GLAZE 22 JA 1/16W
R3444	301 294 3016	MT-GLAZE 10K FA 1/16W	R4409	301 224 9712	MT-GLAZE 22 JA 1/16W
R3452	301 224 9316	MT-GLAZE 1K JA 1/16W	R441	301 226 1516	MT-GLAZE 0.000 ZA 1/16W
R3453	301 224 9316	MT-GLAZE 1K JA 1/16W	R4411	301 224 9019	MT-GLAZE 10K JA 1/16W
R346	301 224 9019	MT-GLAZE 10K JA 1/16W	R4412	301 225 0213	MT-GLAZE 3.3K JA 1/16W
R351	301 226 1516	MT-GLAZE 0.000 ZA 1/16W	R4413	301 224 9712	MT-GLAZE 22 JA 1/16W
R352	301 226 1516	MT-GLAZE 0.000 ZA 1/16W	R4414	301 224 9712	MT-GLAZE 22 JA 1/16W
R353	301 226 1516	MT-GLAZE 0.000 ZA 1/16W	R4415	301 224 9712	MT-GLAZE 22 JA 1/16W
R354	301 226 1516	MT-GLAZE 0.000 ZA 1/16W	R4416	301 224 9712	MT-GLAZE 22 JA 1/16W
R355	301 226 1516	MT-GLAZE 0.000 ZA 1/16W	R4417	301 225 0213	MT-GLAZE 3.3K JA 1/16W
R359	301 226 1516	MT-GLAZE 0.000 ZA 1/16W	R4418	301 224 9019	MT-GLAZE 10K JA 1/16W
R361	301 224 9019	MT-GLAZE 10K JA 1/16W	R4419	301 224 9316	MT-GLAZE 1K JA 1/16W
R362	301 224 9019	MT-GLAZE 10K JA 1/16W	R442	301 224 9712	MT-GLAZE 22 JA 1/16W
R363	301 224 9019	MT-GLAZE 10K JA 1/16W	R4421	301 226 1516	MT-GLAZE 0.000 ZA 1/16W
R364	301 224 9019	MT-GLAZE 10K JA 1/16W	R4422	301 224 9316	MT-GLAZE 1K JA 1/16W
R366	301 224 9019	MT-GLAZE 10K JA 1/16W	R4423	301 226 1516	MT-GLAZE 0.000 ZA 1/16W
R371	301 224 9019	MT-GLAZE 10K JA 1/16W	R4424	301 224 9712	MT-GLAZE 22 JA 1/16W
R372	301 224 9019	MT-GLAZE 10K JA 1/16W	R4425	301 224 9712	MT-GLAZE 22 JA 1/16W
R373	301 224 9019	MT-GLAZE 10K JA 1/16W	R4426	301 224 9712	MT-GLAZE 22 JA 1/16W
R376	301 224 9019	MT-GLAZE 10K JA 1/16W	R4427	301 224 9712	MT-GLAZE 22 JA 1/16W
R377	301 224 9019	MT-GLAZE 10K JA 1/16W	R4428	301 224 9712	MT-GLAZE 22 JA 1/16W
R378	301 224 9019	MT-GLAZE 10K JA 1/16W	R4429	301 224 9712	MT-GLAZE 22 JA 1/16W
R379	301 224 9019	MT-GLAZE 10K JA 1/16W	R4431	301 225 8110	MT-GLAZE 10 JA 1/16W
R381	301 224 9316	MT-GLAZE 1K JA 1/16W	R4432	301 224 9316	MT-GLAZE 1K JA 1/16W
R382	301 226 1516	MT-GLAZE 0.000 ZA 1/16W	R4433	301 226 1516	MT-GLAZE 0.000 ZA 1/16W
R385	301 226 1516	MT-GLAZE 0.000 ZA 1/16W	R4434	301 225 0213	MT-GLAZE 3.3K JA 1/16W
R386	301 226 1516	MT-GLAZE 0.000 ZA 1/16W	R4435	301 224 9316	MT-GLAZE 1K JA 1/16W
R388	301 226 1516	MT-GLAZE 0.000 ZA 1/16W	R4436	301 224 9316	MT-GLAZE 1K JA 1/16W
R389	301 225 0213	MT-GLAZE 3.3K JA 1/16W	R4437	301 226 1516	MT-GLAZE 0.000 ZA 1/16W
R392	301 265 4516	MT-GLAZE 68K FA 1/10W	R4438	301 226 1516	MT-GLAZE 0.000 ZA 1/16W
R406	301 224 9712	MT-GLAZE 22 JA 1/16W	R4439	301 224 9712	MT-GLAZE 22 JA 1/16W
R407	301 224 9712	MT-GLAZE 22 JA 1/16W	R444	301 224 9712	MT-GLAZE 22 JA 1/16W
R408	301 224 9712	MT-GLAZE 22 JA 1/16W	R4440	301 224 9712	MT-GLAZE 22 JA 1/16W
R411	301 224 9712	MT-GLAZE 22 JA 1/16W	R4441	301 224 9712	MT-GLAZE 22 JA 1/16W
R412	301 224 9712	MT-GLAZE 22 JA 1/16W	R4442	301 224 9712	MT-GLAZE 22 JA 1/16W
R413	301 224 9712	MT-GLAZE 22 JA 1/16W	R4443	301 226 1516	MT-GLAZE 0.000 ZA 1/16W
R414	301 224 9712	MT-GLAZE 22 JA 1/16W	R4444	301 226 1516	MT-GLAZE 0.000 ZA 1/16W
R415	301 224 9712	MT-GLAZE 22 JA 1/16W	R4445	301 224 9316	MT-GLAZE 1K JA 1/16W
R416	301 224 9712	MT-GLAZE 22 JA 1/16W	R4446	301 224 9316	MT-GLAZE 1K JA 1/16W
R417	301 224 9712	MT-GLAZE 22 JA 1/16W	R4447	301 226 1516	MT-GLAZE 0.000 ZA 1/16W
R418	301 224 9712	MT-GLAZE 22 JA 1/16W	R4448	301 224 9316	MT-GLAZE 1K JA 1/16W
R419	301 224 9712	MT-GLAZE 22 JA 1/16W	R4449	301 224 9316	MT-GLAZE 1K JA 1/16W
R420	301 224 9712	MT-GLAZE 22 JA 1/16W	R445	301 224 9712	MT-GLAZE 22 JA 1/16W
R421	301 224 9712	MT-GLAZE 22 JA 1/16W	R4451	301 225 0213	MT-GLAZE 3.3K JA 1/16W
R422	301 224 9712	MT-GLAZE 22 JA 1/16W	R4452	301 225 0213	MT-GLAZE 3.3K JA 1/16W
R423	301 224 9712	MT-GLAZE 22 JA 1/16W	R4453	301 224 9712	MT-GLAZE 22 JA 1/16W
R424	301 224 9712	MT-GLAZE 22 JA 1/16W	R4454	301 226 1516	MT-GLAZE 0.000 ZA 1/16W
R425	301 224 9712	MT-GLAZE 22 JA 1/16W	R4455	301 226 1516	MT-GLAZE 0.000 ZA 1/16W
R426	301 224 9712	MT-GLAZE 22 JA 1/16W	R4456	301 226 1516	MT-GLAZE 0.000 ZA 1/16W
R427	301 224 9712	MT-GLAZE 22 JA 1/16W	R4457	301 224 9712	MT-GLAZE 22 JA 1/16W
R428	301 224 9712	MT-GLAZE 22 JA 1/16W	R446	301 224 9712	MT-GLAZE 22 JA 1/16W
R431	301 224 9712	MT-GLAZE 22 JA 1/16W	R4461	301 226 1516	MT-GLAZE 0.000 ZA 1/16W
R432	301 224 9712	MT-GLAZE 22 JA 1/16W	R4462	301 225 0312	MT-GLAZE 33 JA 1/16W
R433	301 224 9712	MT-GLAZE 22 JA 1/16W	R4463	301 225 0213	MT-GLAZE 3.3K JA 1/16W
R434	301 224 9712	MT-GLAZE 22 JA 1/16W	R4464	301 224 9019	MT-GLAZE 10K JA 1/16W
R435	301 224 9712	MT-GLAZE 22 JA 1/16W	R4466	301 224 9712	MT-GLAZE 22 JA 1/16W

Electrical Parts List

Key No.	Part No.	Description	Key No.	Part No.	Description
R4467	301 224 9712	MT-GLAZE 22 JA 1/16W	R4801	301 224 9415	MT-GLAZE 1M JA 1/16W
R4468	301 225 0213	MT-GLAZE 3.3K JA 1/16W	R4802	301 225 0015	MT-GLAZE 270 JA 1/16W
R4469	301 225 0213	MT-GLAZE 3.3K JA 1/16W	R4803	301 224 9019	MT-GLAZE 10K JA 1/16W
R447	301 224 9712	MT-GLAZE 22 JA 1/16W	R4804	301 226 1516	MT-GLAZE 0.000 ZA 1/16W
R4470	301 224 9712	MT-GLAZE 22 JA 1/16W	R4805	301 226 1516	MT-GLAZE 0.000 ZA 1/16W
R4471	301 224 9019	MT-GLAZE 10K JA 1/16W	R4806	301 226 1516	MT-GLAZE 0.000 ZA 1/16W
R4472	301 224 9019	MT-GLAZE 10K JA 1/16W	R4807	301 226 1516	MT-GLAZE 0.000 ZA 1/16W
R4473	301 224 9019	MT-GLAZE 10K JA 1/16W	R4808	301 226 1516	MT-GLAZE 0.000 ZA 1/16W
R4474	301 224 9019	MT-GLAZE 10K JA 1/16W	R4809	301 226 1516	MT-GLAZE 0.000 ZA 1/16W
R4475	301 224 9019	MT-GLAZE 10K JA 1/16W	R4811	301 226 1516	MT-GLAZE 0.000 ZA 1/16W
R4476	301 224 9019	MT-GLAZE 10K JA 1/16W	R4812	301 226 1516	MT-GLAZE 0.000 ZA 1/16W
R4477	301 224 9019	MT-GLAZE 10K JA 1/16W	R4813	301 224 9019	MT-GLAZE 10K JA 1/16W
R4478	301 224 9712	MT-GLAZE 22 JA 1/16W	R4814	301 224 9217	MT-GLAZE 15K JA 1/16W
R4479	301 224 9712	MT-GLAZE 22 JA 1/16W	R4815	301 224 9019	MT-GLAZE 10K JA 1/16W
R448	301 224 9019	MT-GLAZE 10K JA 1/16W	R4816	301 225 0213	MT-GLAZE 3.3K JA 1/16W
R4486	301 336 8818	MT-GLAZE 6.8K FA 1/16W	R4817	301 226 1516	MT-GLAZE 0.000 ZA 1/16W
R4487	301 294 3016	MT-GLAZE 10K FA 1/16W	R4818	301 225 0213	MT-GLAZE 3.3K JA 1/16W
R4488	301 294 3016	MT-GLAZE 10K FA 1/16W	R4819	301 224 9019	MT-GLAZE 10K JA 1/16W
R4489	301 263 6928	MT-GLAZE 2K JA 1/16W	R4821	301 225 0213	MT-GLAZE 3.3K JA 1/16W
R449	301 224 9019	MT-GLAZE 10K JA 1/16W	R4822	301 224 9019	MT-GLAZE 10K JA 1/16W
R4491	301 263 6928	MT-GLAZE 2K JA 1/16W	R4829	301 226 1516	MT-GLAZE 0.000 ZA 1/16W
R4492	301 263 6928	MT-GLAZE 2K JA 1/16W	R483	301 225 8110	MT-GLAZE 10 JA 1/16W
R4493	301 225 1715	MT-GLAZE 39K JA 1/16W	R4831	301 226 1516	MT-GLAZE 0.000 ZA 1/16W
R451	301 224 9019	MT-GLAZE 10K JA 1/16W	R4832	301 226 1516	MT-GLAZE 0.000 ZA 1/16W
R458	301 263 6928	MT-GLAZE 2K JA 1/16W	R4834	301 224 9019	MT-GLAZE 10K JA 1/16W
R459	301 263 6928	MT-GLAZE 2K JA 1/16W	R4835	301 227 5612	MT-GLAZE 8.2K JA 1/16W
R4623	301 224 9316	MT-GLAZE 1K JA 1/16W	R4836	301 227 5612	MT-GLAZE 8.2K JA 1/16W
R466	301 226 1516	MT-GLAZE 0.000 ZA 1/16W	R4837	301 227 5612	MT-GLAZE 8.2K JA 1/16W
R467	301 263 6928	MT-GLAZE 2K JA 1/16W	R4838	301 227 5612	MT-GLAZE 8.2K JA 1/16W
R468	301 263 6928	MT-GLAZE 2K JA 1/16W	R4839	301 226 1516	MT-GLAZE 0.000 ZA 1/16W
R469	301 263 6928	MT-GLAZE 2K JA 1/16W	R484	301 263 6928	MT-GLAZE 2K JA 1/16W
R470	301 263 6928	MT-GLAZE 2K JA 1/16W	R4842	301 224 9019	MT-GLAZE 10K JA 1/16W
R4701	301 224 9712	MT-GLAZE 22 JA 1/16W	R4843	301 225 3818	MT-GLAZE 1.5K JA 1/16W
R4702	301 224 9712	MT-GLAZE 22 JA 1/16W	R4848	301 224 9019	MT-GLAZE 10K JA 1/16W
R4703	301 224 9712	MT-GLAZE 22 JA 1/16W	R4849	301 224 9019	MT-GLAZE 10K JA 1/16W
R4704	301 226 1516	MT-GLAZE 0.000 ZA 1/16W	R4851	301 224 9019	MT-GLAZE 10K JA 1/16W
R4705	301 225 8110	MT-GLAZE 10 JA 1/16W	R4852	301 224 9019	MT-GLAZE 10K JA 1/16W
R4706	301 224 9712	MT-GLAZE 22 JA 1/16W	R4853	301 224 9019	MT-GLAZE 10K JA 1/16W
R4707	301 224 9712	MT-GLAZE 22 JA 1/16W	R4854	301 226 1516	MT-GLAZE 0.000 ZA 1/16W
R4708	301 224 9712	MT-GLAZE 22 JA 1/16W	R4855	301 224 8814	MT-GLAZE 100 JA 1/16W
R4709	301 224 9316	MT-GLAZE 1K JA 1/16W	R4856	301 224 9316	MT-GLAZE 1K JA 1/16W
R471	301 263 6928	MT-GLAZE 2K JA 1/16W	R4857	301 226 1516	MT-GLAZE 0.000 ZA 1/16W
R4711	301 224 9019	MT-GLAZE 10K JA 1/16W	R4858	301 226 5415	MT-GLAZE 56 JA 1/16W
R4712	301 226 1516	MT-GLAZE 0.000 ZA 1/16W	R4859	301 226 1516	MT-GLAZE 0.000 ZA 1/16W
R4713	301 226 1516	MT-GLAZE 0.000 ZA 1/16W	R486	301 263 6928	MT-GLAZE 2K JA 1/16W
R4714	301 226 1516	MT-GLAZE 0.000 ZA 1/16W	R4861	301 226 1516	MT-GLAZE 0.000 ZA 1/16W
R4715	301 226 1516	MT-GLAZE 0.000 ZA 1/16W	R4862	301 226 1516	MT-GLAZE 0.000 ZA 1/16W
R4716	301 226 1516	MT-GLAZE 0.000 ZA 1/16W	R4863	301 226 1516	MT-GLAZE 0.000 ZA 1/16W
R4717	301 226 1516	MT-GLAZE 0.000 ZA 1/16W	R4864	301 224 9019	MT-GLAZE 10K JA 1/16W
R4718	301 226 1516	MT-GLAZE 0.000 ZA 1/16W	R4865	301 224 9019	MT-GLAZE 10K JA 1/16W
R4719	301 226 1516	MT-GLAZE 0.000 ZA 1/16W	R4867	301 224 9316	MT-GLAZE 1K JA 1/16W
R472	301 263 6928	MT-GLAZE 2K JA 1/16W	R487	301 263 6928	MT-GLAZE 2K JA 1/16W
R4721	301 226 1516	MT-GLAZE 0.000 ZA 1/16W	R488	301 263 6928	MT-GLAZE 2K JA 1/16W
R4722	301 226 1516	MT-GLAZE 0.000 ZA 1/16W	R4882	301 224 9019	MT-GLAZE 10K JA 1/16W
R4723	301 226 1516	MT-GLAZE 0.000 ZA 1/16W	R4883	301 224 9019	MT-GLAZE 10K JA 1/16W
R4724	301 226 1516	MT-GLAZE 0.000 ZA 1/16W	R4884	301 224 9019	MT-GLAZE 10K JA 1/16W
R4725	301 226 1516	MT-GLAZE 0.000 ZA 1/16W	R4885	301 224 9019	MT-GLAZE 10K JA 1/16W
R4728	301 224 9019	MT-GLAZE 10K JA 1/16W	R4886	301 224 9019	MT-GLAZE 10K JA 1/16W
R473	301 263 6928	MT-GLAZE 2K JA 1/16W	R489	301 263 6928	MT-GLAZE 2K JA 1/16W
R4730	301 226 1516	MT-GLAZE 0.000 ZA 1/16W	R4893	301 225 1210	MT-GLAZE 4.7K JA 1/16W
R4731	301 224 9019	MT-GLAZE 10K JA 1/16W	R4894	301 225 1210	MT-GLAZE 4.7K JA 1/16W
R474	301 263 6928	MT-GLAZE 2K JA 1/16W	R4896	301 225 1210	MT-GLAZE 4.7K JA 1/16W
R475	301 263 6928	MT-GLAZE 2K JA 1/16W	R4897	301 225 1210	MT-GLAZE 4.7K JA 1/16W
R476	301 263 6928	MT-GLAZE 2K JA 1/16W	R4899	301 225 1210	MT-GLAZE 4.7K JA 1/16W
R477	301 263 6928	MT-GLAZE 2K JA 1/16W	R490	301 263 6928	MT-GLAZE 2K JA 1/16W
R478	301 263 6928	MT-GLAZE 2K JA 1/16W	R491	301 263 6928	MT-GLAZE 2K JA 1/16W
R479	301 263 6928	MT-GLAZE 2K JA 1/16W	R492	301 263 6928	MT-GLAZE 2K JA 1/16W

Electrical Parts List

Key No.	Part No.	Description	Key No.	Part No.	Description
R493	301 263 6928	MT-GLAZE 2K JA 1/16W	R538	301 226 1516	MT-GLAZE 0.000 ZA 1/16W
R494	301 263 6928	MT-GLAZE 2K JA 1/16W	R540	301 225 8110	MT-GLAZE 10 JA 1/16W
R495	301 263 6928	MT-GLAZE 2K JA 1/16W	R541	301 226 1516	MT-GLAZE 0.000 ZA 1/16W
R496	301 263 6928	MT-GLAZE 2K JA 1/16W	R542	301 224 9019	MT-GLAZE 10K JA 1/16W
R497	301 263 6928	MT-GLAZE 2K JA 1/16W	R544	301 226 1516	MT-GLAZE 0.000 ZA 1/16W
R498	301 263 6928	MT-GLAZE 2K JA 1/16W	R5501	301 190 1710	MT-GLAZE 0.000 ZA 1W
R499	301 263 6928	MT-GLAZE 2K JA 1/16W	R5502	301 224 9316	MT-GLAZE 1K JA 1/16W
R501	301 225 8110	MT-GLAZE 10 JA 1/16W	R5503	301 225 1210	MT-GLAZE 4.7K JA 1/16W
R502	301 226 1516	MT-GLAZE 0.000 ZA 1/16W	R5504	301 224 9316	MT-GLAZE 1K JA 1/16W
R503	301 226 1516	MT-GLAZE 0.000 ZA 1/16W	R5506	301 225 1210	MT-GLAZE 4.7K JA 1/16W
R504	301 226 1516	MT-GLAZE 0.000 ZA 1/16W	R5507	301 036 9917	MT-GLAZE 560 JA 1/8W
R505	301 224 9316	MT-GLAZE 1K JA 1/16W	R5509	301 226 1516	MT-GLAZE 0.000 ZA 1/16W
R507	301 226 1516	MT-GLAZE 0.000 ZA 1/16W	R5511	301 226 1516	MT-GLAZE 0.000 ZA 1/16W
R509	301 226 1516	MT-GLAZE 0.000 ZA 1/16W	R5512	301 226 1516	MT-GLAZE 0.000 ZA 1/16W
R510	301 225 8110	MT-GLAZE 10 JA 1/16W	R5521	301 190 1710	MT-GLAZE 0.000 ZA 1W
R511	301 226 1516	MT-GLAZE 0.000 ZA 1/16W	R5522	301 224 9316	MT-GLAZE 1K JA 1/16W
R512	301 224 9019	MT-GLAZE 10K JA 1/16W	R5523	301 225 1210	MT-GLAZE 4.7K JA 1/16W
R514	301 225 8110	MT-GLAZE 10 JA 1/16W	R5524	301 224 9316	MT-GLAZE 1K JA 1/16W
R5205	301 225 8110	MT-GLAZE 10 JA 1/16W	R5526	301 225 1210	MT-GLAZE 4.7K JA 1/16W
R5211	301 225 0312	MT-GLAZE 33 JA 1/16W	R5527	301 036 9917	MT-GLAZE 560 JA 1/8W
R5212	301 225 0312	MT-GLAZE 33 JA 1/16W	R5529	301 226 1516	MT-GLAZE 0.000 ZA 1/16W
R5213	301 225 0312	MT-GLAZE 33 JA 1/16W	R5531	301 226 1516	MT-GLAZE 0.000 ZA 1/16W
R5214	301 225 0312	MT-GLAZE 33 JA 1/16W	R5532	301 226 1516	MT-GLAZE 0.000 ZA 1/16W
R5215	301 225 0312	MT-GLAZE 33 JA 1/16W	R5541	301 224 9019	MT-GLAZE 10K JA 1/16W
R5216	301 225 0312	MT-GLAZE 33 JA 1/16W	R5542	301 224 9019	MT-GLAZE 10K JA 1/16W
R5217	301 225 8110	MT-GLAZE 10 JA 1/16W	R5543	301 226 1516	MT-GLAZE 0.000 ZA 1/16W
R5218	301 225 8110	MT-GLAZE 10 JA 1/16W	R5545	301 224 8814	MT-GLAZE 100 JA 1/16W
R5219	301 224 9712	MT-GLAZE 22 JA 1/16W	R5547	301 225 0619	MT-GLAZE 5.6K JA 1/16W
R5221	301 226 1516	MT-GLAZE 0.000 ZA 1/16W	R5548	301 225 3818	MT-GLAZE 1.5K JA 1/16W
R5222	301 226 1516	MT-GLAZE 0.000 ZA 1/16W	R5549	301 263 6928	MT-GLAZE 2K JA 1/16W
R5223	301 224 9316	MT-GLAZE 1K JA 1/16W	R5551	301 224 9316	MT-GLAZE 1K JA 1/16W
R5224	301 224 9316	MT-GLAZE 1K JA 1/16W	R5553	301 224 9019	MT-GLAZE 10K JA 1/16W
R5225	301 225 0213	MT-GLAZE 3.3K JA 1/16W	R5554	301 224 8913	MT-GLAZE 100K JA 1/16W
R5227	301 226 1516	MT-GLAZE 0.000 ZA 1/16W	R5555	301 224 9019	MT-GLAZE 10K JA 1/16W
R5228	301 226 1516	MT-GLAZE 0.000 ZA 1/16W	R5556	301 224 8913	MT-GLAZE 100K JA 1/16W
R5229	301 226 1516	MT-GLAZE 0.000 ZA 1/16W	R5559	301 234 9917	MT-GLAZE 6.8K JA 1/16W
R5231	301 226 1516	MT-GLAZE 0.000 ZA 1/16W	R5560	301 234 9917	MT-GLAZE 6.8K JA 1/16W
R5232	301 226 1516	MT-GLAZE 0.000 ZA 1/16W	R5561	301 190 1710	MT-GLAZE 0.000 ZA 1W
R5233	301 226 1516	MT-GLAZE 0.000 ZA 1/16W	R5562	301 224 9316	MT-GLAZE 1K JA 1/16W
R5234	301 226 1516	MT-GLAZE 0.000 ZA 1/16W	R5563	301 225 1210	MT-GLAZE 4.7K JA 1/16W
R5235	301 224 9019	MT-GLAZE 10K JA 1/16W	R5564	301 224 9316	MT-GLAZE 1K JA 1/16W
R5236	301 224 9019	MT-GLAZE 10K JA 1/16W	R5566	301 225 1210	MT-GLAZE 4.7K JA 1/16W
R5237	301 224 9316	MT-GLAZE 1K JA 1/16W	R5567	301 036 9917	MT-GLAZE 560 JA 1/8W
R5238	301 224 9316	MT-GLAZE 1K JA 1/16W	R5569	301 226 1516	MT-GLAZE 0.000 ZA 1/16W
R5239	301 224 9316	MT-GLAZE 1K JA 1/16W	R5571	301 226 1516	MT-GLAZE 0.000 ZA 1/16W
R5242	301 225 0312	MT-GLAZE 33 JA 1/16W	R5572	301 226 1516	MT-GLAZE 0.000 ZA 1/16W
R5244	301 226 1516	MT-GLAZE 0.000 ZA 1/16W	R561	301 225 8110	MT-GLAZE 10 JA 1/16W
R5245	301 226 1516	MT-GLAZE 0.000 ZA 1/16W	R5611	301 150 6014	MT-GLAZE 0.000 ZA 1/10W
R5246	301 226 1516	MT-GLAZE 0.000 ZA 1/16W	R5612	301 225 1715	MT-GLAZE 39K JA 1/16W
R5247	301 226 1516	MT-GLAZE 0.000 ZA 1/16W	R5613	301 150 6014	MT-GLAZE 0.000 ZA 1/10W
R5248	301 224 9316	MT-GLAZE 1K JA 1/16W	R5614	301 263 6928	MT-GLAZE 2K JA 1/16W
R5253	301 225 0213	MT-GLAZE 3.3K JA 1/16W	R5616	301 287 2227	MT-GLAZE 22K FA 1/16W
R5254	301 224 9019	MT-GLAZE 10K JA 1/16W	R5617	301 306 8619	MT-GLAZE 3.6K FA 1/16W
R5255	301 224 9019	MT-GLAZE 10K JA 1/16W	R5618	301 294 3016	MT-GLAZE 10K FA 1/16W
R5256	301 224 9316	MT-GLAZE 1K JA 1/16W	R562	301 226 1516	MT-GLAZE 0.000 ZA 1/16W
R5257	301 301 3510	MT-GLAZE 200 JA 1/16W	R5622	301 225 1715	MT-GLAZE 39K JA 1/16W
R5258	301 224 9316	MT-GLAZE 1K JA 1/16W	R5623	301 037 5017	MT-GLAZE 0.000 ZA 1/10W
R5259	301 224 9019	MT-GLAZE 10K JA 1/16W	R5626	301 294 3313	MT-GLAZE 15K FA 1/16W
R5291	301 224 9019	MT-GLAZE 10K JA 1/16W	R5627	301 294 4419	MT-GLAZE 1.8K FA 1/16W
R5292	301 272 7814	MT-GLAZE 100 FA 1/16W	R5628	401 344 1914	MT-GLAZE 10K DA 1/16W
R5293	301 326 1515	MT-GLAZE 10 FA 1/16W	R563	301 226 1516	MT-GLAZE 0.000 ZA 1/16W
R5294	301 294 3115	MT-GLAZE 1K FA 1/16W	R5631	301 037 5017	MT-GLAZE 0.000 ZA 1/10W
R531	301 225 8110	MT-GLAZE 10 JA 1/16W	R5632	301 225 1715	MT-GLAZE 39K JA 1/16W
R532	301 226 1516	MT-GLAZE 0.000 ZA 1/16W	R5636	301 294 3313	MT-GLAZE 15K FA 1/16W
R533	301 226 1516	MT-GLAZE 0.000 ZA 1/16W	R5637	301 294 4419	MT-GLAZE 1.8K FA 1/16W
R534	301 226 1516	MT-GLAZE 0.000 ZA 1/16W	R5638	401 344 1914	MT-GLAZE 10K DA 1/16W
R535	301 224 9316	MT-GLAZE 1K JA 1/16W	R564	301 226 1516	MT-GLAZE 0.000 ZA 1/16W

Electrical Parts List

Key No.	Part No.	Description	Key No.	Part No.	Description
R565	301 224 9316	MT-GLAZE 1K JA 1/16W	R595	301 224 9019	MT-GLAZE 10K JA 1/16W
R5651	301 150 6014	MT-GLAZE 0.000 ZA 1/10W	R596	301 235 0012	MT-GLAZE 7.5K JA 1/16W
R5653	301 224 9019	MT-GLAZE 10K JA 1/16W	R597	301 301 3718	MT-GLAZE 2K FA 1/16W
R5654	301 263 6928	MT-GLAZE 2K JA 1/16W	R598	301 301 3718	MT-GLAZE 2K FA 1/16W
R5656	301 298 5818	MT-GLAZE 9.1K FA 1/16W	R599	301 226 1516	MT-GLAZE 0.000 ZA 1/16W
R5657	401 342 9318	MT-GLAZE 360 FA 1/16W	R6501	301 102 7410	MT-GLAZE 10 JA 1W
R5658	301 294 3016	MT-GLAZE 10K FA 1/16W	R6502	301 102 7410	MT-GLAZE 10 JA 1W
R566	301 226 1516	MT-GLAZE 0.000 ZA 1/16W	R6508	301 226 1516	MT-GLAZE 0.000 ZA 1/16W
R5663	301 037 5017	MT-GLAZE 0.000 ZA 1/10W	R6509	301 224 9316	MT-GLAZE 1K JA 1/16W
R5664	301 224 8913	MT-GLAZE 100K JA 1/16W	R6511	301 036 9917	MT-GLAZE 560 JA 1/8W
R5666	301 301 8119	MT-GLAZE 3.9K FA 1/16W	R6512	301 224 9019	MT-GLAZE 10K JA 1/16W
R5667	301 236 7119	MT-GLAZE 620 JA 1/16W	R6521	301 102 7410	MT-GLAZE 10 JA 1W
R5668	401 344 1914	MT-GLAZE 10K DA 1/16W	R6522	301 102 7410	MT-GLAZE 10 JA 1W
R5671	301 224 9019	MT-GLAZE 10K JA 1/16W	R6524	301 225 1210	MT-GLAZE 4.7K JA 1/16W
R5672	301 224 9019	MT-GLAZE 10K JA 1/16W	R6525	301 225 1210	MT-GLAZE 4.7K JA 1/16W
R5673	301 225 1210	MT-GLAZE 4.7K JA 1/16W	R6526	301 225 1210	MT-GLAZE 4.7K JA 1/16W
R5674	301 037 5017	MT-GLAZE 0.000 ZA 1/10W	R6527	301 225 1210	MT-GLAZE 4.7K JA 1/16W
R5675	301 225 1715	MT-GLAZE 39K JA 1/16W	R6528	301 226 1516	MT-GLAZE 0.000 ZA 1/16W
R5676	401 344 1914	MT-GLAZE 10K DA 1/16W	R6529	301 224 9316	MT-GLAZE 1K JA 1/16W
R5677	301 294 4419	MT-GLAZE 1.8K FA 1/16W	R6531	301 036 9917	MT-GLAZE 560 JA 1/8W
R5678	301 294 3313	MT-GLAZE 15K FA 1/16W	R6541	301 225 8110	MT-GLAZE 10 JA 1/16W
R5681	301 150 6014	MT-GLAZE 0.000 ZA 1/10W	R6544	301 225 8110	MT-GLAZE 10 JA 1/16W
R5682	301 150 5918	MT-GLAZE 10K JA 1/10W	R6546	301 224 8913	MT-GLAZE 100K JA 1/16W
R5686	301 301 8218	MT-GLAZE 680 FA 1/16W	R6547	301 224 8913	MT-GLAZE 100K JA 1/16W
R5687	301 301 8218	MT-GLAZE 680 FA 1/16W	R6554	301 224 9316	MT-GLAZE 1K JA 1/16W
R5688	301 304 3616	MT-GLAZE 1K DA 1/16W	R6556	301 224 9316	MT-GLAZE 1K JA 1/16W
R570	301 225 8110	MT-GLAZE 10 JA 1/16W	R6557	301 224 9316	MT-GLAZE 1K JA 1/16W
R571	301 226 1516	MT-GLAZE 0.000 ZA 1/16W	R6558	301 224 9316	MT-GLAZE 1K JA 1/16W
R572	301 224 9019	MT-GLAZE 10K JA 1/16W	R6561	301 225 8110	MT-GLAZE 10 JA 1/16W
R574	301 225 8110	MT-GLAZE 10 JA 1/16W	R6566	301 225 8110	MT-GLAZE 10 JA 1/16W
R5801	301 224 9019	MT-GLAZE 10K JA 1/16W	R6571	301 225 8110	MT-GLAZE 10 JA 1/16W
R5807	301 226 1516	MT-GLAZE 0.000 ZA 1/16W	R6572	301 225 8110	MT-GLAZE 10 JA 1/16W
R5808	301 226 1516	MT-GLAZE 0.000 ZA 1/16W	R6573	301 224 8913	MT-GLAZE 100K JA 1/16W
R5809	301 226 1516	MT-GLAZE 0.000 ZA 1/16W	R6574	301 224 8913	MT-GLAZE 100K JA 1/16W
R5810	301 226 1516	MT-GLAZE 0.000 ZA 1/16W	R6575	301 225 8110	MT-GLAZE 10 JA 1/16W
R5840	301 226 1516	MT-GLAZE 0.000 ZA 1/16W	R6577	301 225 8110	MT-GLAZE 10 JA 1/16W
R5846	301 225 8011	MT-GLAZE 330 JA 1/16W	R6624	945 030 1057	PROTECTOR,IC 3.8A 72V
R5847	301 224 9019	MT-GLAZE 10K JA 1/16W	R6625	301 237 2915	MT-GLAZE 51 JA 1/16W
R5848	301 224 9910	MT-GLAZE 22K JA 1/16W	R6630	301 224 8913	MT-GLAZE 100K JA 1/16W
R5850	301 225 8011	MT-GLAZE 330 JA 1/16W	R6635	301 225 0213	MT-GLAZE 3.3K JA 1/16W
R5851	301 225 8011	MT-GLAZE 330 JA 1/16W	R6640	301 301 7211	MT-GLAZE 3.6K JA 1/16W
R5852	301 225 8011	MT-GLAZE 330 JA 1/16W	R6645	301 284 3613	MT-GLAZE 16K JA 1/16W
R5853	301 225 8011	MT-GLAZE 330 JA 1/16W	R6651	301 150 6212	MT-GLAZE 1K JA 1/10W
R5854	301 224 9019	MT-GLAZE 10K JA 1/16W	R6652	301 238 4215	MT-GLAZE 1.5K JA 1/3W
R5855	301 224 9910	MT-GLAZE 22K JA 1/16W	R6653	301 255 9712	MT-GLAZE 82K JA 1/10W
R5856	301 225 8011	MT-GLAZE 330 JA 1/16W	R6654	301 225 0114	MT-GLAZE 27K JA 1/16W
R5857	301 225 8011	MT-GLAZE 330 JA 1/16W	R6655	301 276 0415	MT-GLAZE 10M JA 1/16W
R5858	301 224 9019	MT-GLAZE 10K JA 1/16W	R6656	301 224 9019	MT-GLAZE 10K JA 1/16W
R5859	301 224 9910	MT-GLAZE 22K JA 1/16W	R6657	301 225 0114	MT-GLAZE 27K JA 1/16W
R5860	301 225 8011	MT-GLAZE 330 JA 1/16W	R6658	301 225 0114	MT-GLAZE 27K JA 1/16W
R5862	301 224 9514	MT-GLAZE 2.2K JA 1/16W	R6659	301 224 9019	MT-GLAZE 10K JA 1/16W
R5863	301 237 2915	MT-GLAZE 51 JA 1/16W	R6660	301 276 3010	MT-GLAZE 75K JA 1/16W
R5864	301 225 1319	MT-GLAZE 470 JA 1/16W	R6661	301 035 4111	MT-GLAZE 0.000 ZA 1/8W
R5865	301 224 9019	MT-GLAZE 10K JA 1/16W	R6662	301 035 4111	MT-GLAZE 0.000 ZA 1/8W
R5866	301 225 1210	MT-GLAZE 4.7K JA 1/16W	R6663	301 035 4111	MT-GLAZE 0.000 ZA 1/8W
R5867	301 224 9316	MT-GLAZE 1K JA 1/16W	R6664	301 035 4111	MT-GLAZE 0.000 ZA 1/8W
R5868	301 225 1319	MT-GLAZE 470 JA 1/16W	R6665	301 035 4111	MT-GLAZE 0.000 ZA 1/8W
R5869	301 224 9910	MT-GLAZE 22K JA 1/16W	R6666	945 059 2240	INDUCTOR,2.2U M
R5870TM	301 255 6513	MT-GLAZE 100 JA 1/10W	R6667	301 224 9019	MT-GLAZE 10K JA 1/16W
R5881	301 190 1710	MT-GLAZE 0.000 ZA 1W	R6668	301 105 0012	MT-GLAZE 1K JA 1/2W
R5882	301 224 9316	MT-GLAZE 1K JA 1/16W	R6677	301 225 7618	MT-GLAZE 1 JA 1W
R5893	301 224 9019	MT-GLAZE 10K JA 1/16W	R6681	301 226 1516	MT-GLAZE 0.000 ZA 1/16W
R5894	301 224 9910	MT-GLAZE 22K JA 1/16W	R6682	301 226 1516	MT-GLAZE 0.000 ZA 1/16W
R5895	301 225 8011	MT-GLAZE 330 JA 1/16W	R6683	301 224 9613	MT-GLAZE 2.7K JA 1/16W
R5896	301 225 8011	MT-GLAZE 330 JA 1/16W	R6684	945 030 1057	PROTECTOR,IC 3.8A 72V
R5897	301 225 8011	MT-GLAZE 330 JA 1/16W	R6686	301 224 8913	MT-GLAZE 100K JA 1/16W
R5898	301 225 8011	MT-GLAZE 330 JA 1/16W	R6688	301 224 8913	MT-GLAZE 100K JA 1/16W

Electrical Parts List

Key No.	Part No.	Description	Key No.	Part No.	Description
R6689	301 259 7823	MT-GLAZE 20K JA 1/16W	R7828	301 224 9613	MT-GLAZE 2.7K JA 1/16W
R6690	301 256 5317	MT-GLAZE 56K JA 1/10W	R7829	301 226 1516	MT-GLAZE 0.000 ZA 1/16W
R6691	301 224 9019	MT-GLAZE 10K JA 1/16W	R7831	301 234 9917	MT-GLAZE 6.8K JA 1/16W
R6692	301 224 9019	MT-GLAZE 10K JA 1/16W	R7832	301 263 6928	MT-GLAZE 2K JA 1/16W
R6693	301 225 0114	MT-GLAZE 27K JA 1/16W	R7834	301 226 1516	MT-GLAZE 0.000 ZA 1/16W
R6694	301 224 9019	MT-GLAZE 10K JA 1/16W	R7835	301 226 1516	MT-GLAZE 0.000 ZA 1/16W
R6695	301 225 1418	MT-GLAZE 47K JA 1/16W	R7837	301 224 9019	MT-GLAZE 10K JA 1/16W
R6696	301 224 9514	MT-GLAZE 2.2K JA 1/16W	R7838	301 224 9316	MT-GLAZE 1K JA 1/16W
R6698	301 259 7823	MT-GLAZE 20K JA 1/16W	R7841	301 261 1014	MT-GLAZE 2.4K JA 1/16W
R6700	945 030 1057	PROTECTOR,IC 3.8A 72V	R7842	301 224 9217	MT-GLAZE 15K JA 1/16W
R7701	301 276 0415	MT-GLAZE 10M JA 1/16W	R7843	301 294 3214	MT-GLAZE 47K FA 1/16W
R7702	301 237 2915	MT-GLAZE 51 JA 1/16W	R7844	301 224 9316	MT-GLAZE 1K JA 1/16W
R7703	301 225 0114	MT-GLAZE 27K JA 1/16W	R7846	301 224 9316	MT-GLAZE 1K JA 1/16W
R7704	301 224 9019	MT-GLAZE 10K JA 1/16W	R7848	301 261 1014	MT-GLAZE 2.4K JA 1/16W
R7705	301 224 9019	MT-GLAZE 10K JA 1/16W	R7849	301 226 1516	MT-GLAZE 0.000 ZA 1/16W
R7706	301 225 0114	MT-GLAZE 27K JA 1/16W	R7851	301 234 9917	MT-GLAZE 6.8K JA 1/16W
R7707	301 224 9514	MT-GLAZE 2.2K JA 1/16W	R7852	301 263 6928	MT-GLAZE 2K JA 1/16W
R7708	301 234 9917	MT-GLAZE 6.8K JA 1/16W	R7855	301 224 9019	MT-GLAZE 10K JA 1/16W
R7711	301 224 9019	MT-GLAZE 10K JA 1/16W	R7856	301 224 9019	MT-GLAZE 10K JA 1/16W
R7712	301 224 9019	MT-GLAZE 10K JA 1/16W	R7857	301 224 9019	MT-GLAZE 10K JA 1/16W
R7713	301 224 9316	MT-GLAZE 1K JA 1/16W	R7858	301 224 9316	MT-GLAZE 1K JA 1/16W
R7714	301 234 9917	MT-GLAZE 6.8K JA 1/16W	R7861	301 261 1014	MT-GLAZE 2.4K JA 1/16W
R7717	301 224 9019	MT-GLAZE 10K JA 1/16W	R7862	301 224 9217	MT-GLAZE 15K JA 1/16W
R7718	301 224 9316	MT-GLAZE 1K JA 1/16W	R7863	301 328 3913	MT-GLAZE 36K FA 1/16W
R7721	301 276 0415	MT-GLAZE 10M JA 1/16W	R7864	301 224 9316	MT-GLAZE 1K JA 1/16W
R7722	301 237 2915	MT-GLAZE 51 JA 1/16W	R7866	301 224 9316	MT-GLAZE 1K JA 1/16W
R7723	301 225 0114	MT-GLAZE 27K JA 1/16W	R7867	301 224 9613	MT-GLAZE 2.7K JA 1/16W
R7724	301 224 9019	MT-GLAZE 10K JA 1/16W	R7869	301 226 1516	MT-GLAZE 0.000 ZA 1/16W
R7725	301 224 9019	MT-GLAZE 10K JA 1/16W	R7871	301 234 9917	MT-GLAZE 6.8K JA 1/16W
R7726	301 225 0114	MT-GLAZE 27K JA 1/16W	R7872	301 263 6928	MT-GLAZE 2K JA 1/16W
R7727	301 224 9514	MT-GLAZE 2.2K JA 1/16W	R7881	301 261 1014	MT-GLAZE 2.4K JA 1/16W
R7728	301 234 9917	MT-GLAZE 6.8K JA 1/16W	R7882	301 224 9217	MT-GLAZE 15K JA 1/16W
R7731	301 224 9019	MT-GLAZE 10K JA 1/16W	R7883	301 287 2227	MT-GLAZE 22K FA 1/16W
R7732	301 224 9019	MT-GLAZE 10K JA 1/16W	R7884	301 224 9316	MT-GLAZE 1K JA 1/16W
R7733	301 224 9316	MT-GLAZE 1K JA 1/16W	R7886	301 224 9316	MT-GLAZE 1K JA 1/16W
R7734	301 234 9917	MT-GLAZE 6.8K JA 1/16W	R7888	301 261 1014	MT-GLAZE 2.4K JA 1/16W
R7737	301 224 9019	MT-GLAZE 10K JA 1/16W	R7889	301 226 1516	MT-GLAZE 0.000 ZA 1/16W
R7738	301 224 9316	MT-GLAZE 1K JA 1/16W	R7891	301 234 9917	MT-GLAZE 6.8K JA 1/16W
R7781	301 234 9917	MT-GLAZE 6.8K JA 1/16W	R7892	301 263 6928	MT-GLAZE 2K JA 1/16W
R7784	301 224 9316	MT-GLAZE 1K JA 1/16W	R7894	301 224 9019	MT-GLAZE 10K JA 1/16W
R7785	301 225 0114	MT-GLAZE 27K JA 1/16W	R7895	301 224 9316	MT-GLAZE 1K JA 1/16W
R7786	301 224 9316	MT-GLAZE 1K JA 1/16W	R7897	301 226 1516	MT-GLAZE 0.000 ZA 1/16W
R7787	301 225 0114	MT-GLAZE 27K JA 1/16W	R7898	301 226 1516	MT-GLAZE 0.000 ZA 1/16W
R7788	301 224 9019	MT-GLAZE 10K JA 1/16W	R7903	301 226 1516	MT-GLAZE 0.000 ZA 1/16W
R7789	301 225 0114	MT-GLAZE 27K JA 1/16W	R7904	301 226 1516	MT-GLAZE 0.000 ZA 1/16W
R7792	301 224 9019	MT-GLAZE 10K JA 1/16W	R7906	301 226 1516	MT-GLAZE 0.000 ZA 1/16W
R7793	301 224 9019	MT-GLAZE 10K JA 1/16W	R7907	301 226 1516	MT-GLAZE 0.000 ZA 1/16W
R7801	301 225 8110	MT-GLAZE 10 JA 1/16W	R7908	301 226 1516	MT-GLAZE 0.000 ZA 1/16W
R7802	301 225 8110	MT-GLAZE 10 JA 1/16W	R7909	301 226 1516	MT-GLAZE 0.000 ZA 1/16W
R7803	301 226 1516	MT-GLAZE 0.000 ZA 1/16W	R7911	301 226 1516	MT-GLAZE 0.000 ZA 1/16W
R7804	301 226 1516	MT-GLAZE 0.000 ZA 1/16W	R7912	301 226 1516	MT-GLAZE 0.000 ZA 1/16W
R7805	301 226 1516	MT-GLAZE 0.000 ZA 1/16W	R7913	301 226 1516	MT-GLAZE 0.000 ZA 1/16W
R7806	301 226 1516	MT-GLAZE 0.000 ZA 1/16W	R7914	301 226 1516	MT-GLAZE 0.000 ZA 1/16W
R7807	301 226 1516	MT-GLAZE 0.000 ZA 1/16W	R7916	301 226 1516	MT-GLAZE 0.000 ZA 1/16W
R7808	301 226 1516	MT-GLAZE 0.000 ZA 1/16W	R7917	301 226 1516	MT-GLAZE 0.000 ZA 1/16W
R7809	301 226 1516	MT-GLAZE 0.000 ZA 1/16W	R7921	301 261 1014	MT-GLAZE 2.4K JA 1/16W
R7810	301 226 1516	MT-GLAZE 0.000 ZA 1/16W	R7922	301 224 9217	MT-GLAZE 15K JA 1/16W
R7814	301 226 1516	MT-GLAZE 0.000 ZA 1/16W	R7923	301 328 3913	MT-GLAZE 36K FA 1/16W
R7816	301 226 1516	MT-GLAZE 0.000 ZA 1/16W	R7924	301 224 9316	MT-GLAZE 1K JA 1/16W
R7817	301 226 1516	MT-GLAZE 0.000 ZA 1/16W	R7926	301 224 9316	MT-GLAZE 1K JA 1/16W
R7818	301 226 1516	MT-GLAZE 0.000 ZA 1/16W	R7928	301 224 9613	MT-GLAZE 2.7K JA 1/16W
R7819	301 224 9811	MT-GLAZE 220K JA 1/16W	R7929	301 226 1516	MT-GLAZE 0.000 ZA 1/16W
R7821	301 261 1014	MT-GLAZE 2.4K JA 1/16W	R7931	301 234 9917	MT-GLAZE 6.8K JA 1/16W
R7822	301 224 9217	MT-GLAZE 15K JA 1/16W	R7932	301 263 6928	MT-GLAZE 2K JA 1/16W
R7823	301 328 3913	MT-GLAZE 36K FA 1/16W	R7934	301 224 9019	MT-GLAZE 10K JA 1/16W
R7824	301 224 9316	MT-GLAZE 1K JA 1/16W	R7935	301 224 9316	MT-GLAZE 1K JA 1/16W
R7826	301 224 9316	MT-GLAZE 1K JA 1/16W	R7937	301 226 1516	MT-GLAZE 0.000 ZA 1/16W

Electrical Parts List

Key No.	Part No.	Description	Key No.	Part No.	Description
R7938	301 226 1516	MT-GLAZE 0.000 ZA 1/16W	R9828	301 224 9019	MT-GLAZE 10K JA 1/16W
R8002	301 225 8110	MT-GLAZE 10 JA 1/16W	R9829	301 225 8110	MT-GLAZE 10 JA 1/16W
R8003	301 225 8110	MT-GLAZE 10 JA 1/16W	R9831	301 224 9019	MT-GLAZE 10K JA 1/16W
R8006	301 225 0213	MT-GLAZE 3.3K JA 1/16W	R9868	301 224 9019	MT-GLAZE 10K JA 1/16W
R8007	301 226 1516	MT-GLAZE 0.000 ZA 1/16W	R9869	301 224 8814	MT-GLAZE 100 JA 1/16W
R8009	301 226 1516	MT-GLAZE 0.000 ZA 1/16W	R9872	301 226 1516	MT-GLAZE 0.000 ZA 1/16W
R801	301 224 9019	MT-GLAZE 10K JA 1/16W	R9873	301 226 1516	MT-GLAZE 0.000 ZA 1/16W
R8011	301 226 1516	MT-GLAZE 0.000 ZA 1/16W	R9874	301 224 9019	MT-GLAZE 10K JA 1/16W
R8012	301 226 1516	MT-GLAZE 0.000 ZA 1/16W	R9875	301 224 9019	MT-GLAZE 10K JA 1/16W
R8013	301 226 1516	MT-GLAZE 0.000 ZA 1/16W	R9876	301 226 1516	MT-GLAZE 0.000 ZA 1/16W
R8014	301 226 1516	MT-GLAZE 0.000 ZA 1/16W	R9877	301 226 1516	MT-GLAZE 0.000 ZA 1/16W
R8015	301 226 1516	MT-GLAZE 0.000 ZA 1/16W	R9878	301 264 9918	MT-GLAZE 36K FA 1/10W
R8016	301 226 1516	MT-GLAZE 0.000 ZA 1/16W	R9879	301 264 9918	MT-GLAZE 36K FA 1/10W
R8017	301 226 1516	MT-GLAZE 0.000 ZA 1/16W	R9880	301 226 1516	MT-GLAZE 0.000 ZA 1/16W
R8019	301 226 1516	MT-GLAZE 0.000 ZA 1/16W	R9881	301 226 1516	MT-GLAZE 0.000 ZA 1/16W
R802	301 224 9019	MT-GLAZE 10K JA 1/16W	R9882	301 224 8913	MT-GLAZE 100K JA 1/16W
R8021	301 224 9019	MT-GLAZE 10K JA 1/16W	R9883	301 224 8913	MT-GLAZE 100K JA 1/16W
R803	301 226 1516	MT-GLAZE 0.000 ZA 1/16W	R9884	301 224 9910	MT-GLAZE 22K JA 1/16W
R8031	301 298 5818	MT-GLAZE 9.1K FA 1/16W	R9885	301 224 9019	MT-GLAZE 10K JA 1/16W
R8032	301 294 3016	MT-GLAZE 10K FA 1/16W	R9886	301 298 6518	MT-GLAZE 3.3K FA 1/16W
R8033	301 294 3016	MT-GLAZE 10K FA 1/16W	R9887	301 294 3511	MT-GLAZE 27K FA 1/16W
R8034	301 225 1715	MT-GLAZE 39K JA 1/16W	R9888	301 294 3115	MT-GLAZE 1K FA 1/16W
R804	301 224 9019	MT-GLAZE 10K JA 1/16W	R9889	301 299 4919	MT-GLAZE 470 FA 1/16W
R805	301 224 9019	MT-GLAZE 10K JA 1/16W	R9890	301 224 9415	MT-GLAZE 1M JA 1/16W
R8051	301 226 1516	MT-GLAZE 0.000 ZA 1/16W	R9891	301 150 6014	MT-GLAZE 0.000 ZA 1/10W
R8052	301 226 1516	MT-GLAZE 0.000 ZA 1/16W	R9892	301 150 6014	MT-GLAZE 0.000 ZA 1/10W
R8053	301 225 1210	MT-GLAZE 4.7K JA 1/16W	R9893	301 150 6014	MT-GLAZE 0.000 ZA 1/10W
R8054	301 225 1210	MT-GLAZE 4.7K JA 1/16W	RB1501	945 036 3529	R-NETWORK 0X4 1/32W
R8055	301 224 9019	MT-GLAZE 10K JA 1/16W		945 037 0817	R-NETWORK 0X4 1/16W
R8056	301 226 1516	MT-GLAZE 0.000 ZA 1/16W	RB1502	945 036 3529	R-NETWORK 0X4 1/32W
R8059	301 226 1516	MT-GLAZE 0.000 ZA 1/16W		945 037 0817	R-NETWORK 0X4 1/16W
R806	301 294 4419	MT-GLAZE 1.8K FA 1/16W	RB1503	945 036 3529	R-NETWORK 0X4 1/32W
R8061	301 226 1516	MT-GLAZE 0.000 ZA 1/16W		945 037 0817	R-NETWORK 0X4 1/16W
R8062	301 224 9019	MT-GLAZE 10K JA 1/16W	RB1531	945 036 3529	R-NETWORK 0X4 1/32W
R807	301 225 0213	MT-GLAZE 3.3K JA 1/16W		945 037 0817	R-NETWORK 0X4 1/16W
R8202	301 225 0015	MT-GLAZE 270 JA 1/16W	RB1532	945 036 3529	R-NETWORK 0X4 1/32W
R8203	301 225 0015	MT-GLAZE 270 JA 1/16W		945 037 0817	R-NETWORK 0X4 1/16W
R8204	301 225 0015	MT-GLAZE 270 JA 1/16W	RB1533	945 036 3529	R-NETWORK 0X4 1/32W
R821	301 226 1516	MT-GLAZE 0.000 ZA 1/16W		945 037 0817	R-NETWORK 0X4 1/16W
R8212	301 224 8814	MT-GLAZE 100 JA 1/16W	RB1561	945 036 3529	R-NETWORK 0X4 1/32W
R8213	301 226 5514	MT-GLAZE 120 JA 1/16W		945 037 0817	R-NETWORK 0X4 1/16W
R8214	301 226 5514	MT-GLAZE 120 JA 1/16W	RB1562	945 036 3529	R-NETWORK 0X4 1/32W
R822	301 226 1516	MT-GLAZE 0.000 ZA 1/16W		945 037 0817	R-NETWORK 0X4 1/16W
R823	301 226 1516	MT-GLAZE 0.000 ZA 1/16W	RB1563	945 036 3529	R-NETWORK 0X4 1/32W
R8235	301 263 7420	MT-GLAZE 75 JA 1/16W		945 037 0817	R-NETWORK 0X4 1/16W
R8237	301 263 7420	MT-GLAZE 75 JA 1/16W	RB2201	645 049 0668	R-NETWORK 10X4 1/32W
R8246	301 225 8110	MT-GLAZE 10 JA 1/16W		945 049 0683	R-NETWORK 10X4 1/16W
R8247	301 225 8110	MT-GLAZE 10 JA 1/16W	RB2202	645 049 0668	R-NETWORK 10X4 1/32W
R8265	301 226 1516	MT-GLAZE 0.000 ZA 1/16W		945 049 0683	R-NETWORK 10X4 1/16W
R8267	301 263 7420	MT-GLAZE 75 JA 1/16W	RB2203	645 049 0668	R-NETWORK 10X4 1/32W
R831	301 224 9316	MT-GLAZE 1K JA 1/16W		945 049 0683	R-NETWORK 10X4 1/16W
R832	301 224 9019	MT-GLAZE 10K JA 1/16W	RB2204	645 049 0668	R-NETWORK 10X4 1/32W
R835	301 224 9316	MT-GLAZE 1K JA 1/16W		945 049 0683	R-NETWORK 10X4 1/16W
R836	301 224 9019	MT-GLAZE 10K JA 1/16W	RB2205	645 049 0668	R-NETWORK 10X4 1/32W
R839	301 224 9316	MT-GLAZE 1K JA 1/16W		945 049 0683	R-NETWORK 10X4 1/16W
R841	301 224 9019	MT-GLAZE 10K JA 1/16W	RB2206	645 049 0668	R-NETWORK 10X4 1/32W
R842	301 224 9316	MT-GLAZE 1K JA 1/16W		945 049 0683	R-NETWORK 10X4 1/16W
R843	301 224 9019	MT-GLAZE 10K JA 1/16W	RB2207	645 049 0668	R-NETWORK 10X4 1/32W
R851	301 226 1516	MT-GLAZE 0.000 ZA 1/16W		945 049 0683	R-NETWORK 10X4 1/16W
R852	301 226 1516	MT-GLAZE 0.000 ZA 1/16W	RB2341	945 034 5051	R-NETWORK 22X4 1/32W
R853	301 226 1516	MT-GLAZE 0.000 ZA 1/16W		945 037 0824	R-NETWORK 22X4 1/16W
R854	301 226 1516	MT-GLAZE 0.000 ZA 1/16W	RB2342	945 034 5051	R-NETWORK 22X4 1/32W
R855	301 226 1516	MT-GLAZE 0.000 ZA 1/16W		945 037 0824	R-NETWORK 22X4 1/16W
R856	301 226 1516	MT-GLAZE 0.000 ZA 1/16W	RB2343	945 034 5051	R-NETWORK 22X4 1/32W
R857	301 226 1516	MT-GLAZE 0.000 ZA 1/16W		945 037 0824	R-NETWORK 22X4 1/16W
R858	301 226 1516	MT-GLAZE 0.000 ZA 1/16W	RB2344	945 034 5051	R-NETWORK 22X4 1/32W
R860	301 224 9316	MT-GLAZE 1K JA 1/16W		945 037 0824	R-NETWORK 22X4 1/16W

Electrical Parts List

Key No.	Part No.	Description	Key No.	Part No.	Description
RB4422	945 034 5051	R-NETWORK 22X4		945 028 0710	R-NETWORK 10KX4
	945 037 0824	R-NETWORK 22X4		945 036 0979	R-NETWORK 10KX4
RB4423	945 034 5051	R-NETWORK 22X4	RB835	945 028 0710	R-NETWORK 10KX4
	945 037 0824	R-NETWORK 22X4		945 036 0979	R-NETWORK 10KX4
RB4424	945 034 5051	R-NETWORK 22X4	RB836	945 028 0710	R-NETWORK 10KX4
	945 037 0824	R-NETWORK 22X4		945 036 0979	R-NETWORK 10KX4
RB4425	945 034 5051	R-NETWORK 22X4	RB837	945 036 0979	R-NETWORK 10KX4
	945 037 0824	R-NETWORK 22X4		945 028 0710	R-NETWORK 10KX4
RB4426	945 034 5051	R-NETWORK 22X4	RB838	945 036 0979	R-NETWORK 10KX4
	945 037 0824	R-NETWORK 22X4		945 028 0710	R-NETWORK 10KX4
RB4431	945 034 5051	R-NETWORK 22X4			
	945 037 0824	R-NETWORK 22X4	COIL		
RB4432	945 034 5051	R-NETWORK 22X4	L1341	945 050 8449	IMPEDANCE,1000 OHM P
	945 037 0824	R-NETWORK 22X4	L1342	945 050 8449	IMPEDANCE,1000 OHM P
RB4433	945 034 5051	R-NETWORK 22X4	L1351	945 041 1978	INDUCTOR,330 OHM
	945 037 0824	R-NETWORK 22X4	L1352	945 032 8344	INDUCTOR,39U J
RB4434	945 034 5051	R-NETWORK 22X4	L1452	645 068 9000	INDUCTOR,10U K
	945 037 0824	R-NETWORK 22X4	L1453	945 059 2240	INDUCTOR,2.2U M
RB4435	945 034 5051	R-NETWORK 22X4	L1454	945 059 2240	INDUCTOR,2.2U M
	945 037 0824	R-NETWORK 22X4	L1455	945 059 2240	INDUCTOR,2.2U M
RB4436	945 034 5051	R-NETWORK 22X4	L1456	945 080 6828	INDUCTOR,3.3U M
	945 037 0824	R-NETWORK 22X4	L1457	945 080 6828	INDUCTOR,3.3U M
RB4437	945 034 5051	R-NETWORK 22X4	L1458	945 080 6828	INDUCTOR,3.3U M
	945 037 0824	R-NETWORK 22X4	L1459	645 068 9000	INDUCTOR,10U K
RB4438	945 034 5051	R-NETWORK 22X4	L1501	945 080 6828	INDUCTOR,3.3U M
	945 037 0824	R-NETWORK 22X4	L1502	945 080 6828	INDUCTOR,3.3U M
RB4439	945 034 5051	R-NETWORK 22X4	L1503	945 080 6828	INDUCTOR,3.3U M
	945 037 0824	R-NETWORK 22X4	L1531	945 080 6828	INDUCTOR,3.3U M
RB4801	945 036 0979	R-NETWORK 10KX4	L1532	945 080 6828	INDUCTOR,3.3U M
	945 028 0710	R-NETWORK 10KX4	L1533	945 080 6828	INDUCTOR,3.3U M
RB501	945 036 3529	R-NETWORK 0X4	L1561	945 080 6828	INDUCTOR,3.3U M
	945 037 0817	R-NETWORK 0X4	L1562	945 080 6828	INDUCTOR,3.3U M
RB502	945 036 3529	R-NETWORK 0X4	L1563	945 080 6828	INDUCTOR,3.3U M
	945 037 0817	R-NETWORK 0X4	L2201	945 036 3895	INDUCTOR,220 OHM
RB503	945 036 3529	R-NETWORK 0X4	L2202	945 036 3895	INDUCTOR,220 OHM
	945 037 0817	R-NETWORK 0X4	L2211	945 080 6828	INDUCTOR,3.3U M
RB5211	645 049 0675	R-NETWORK 33X4	L2212	945 080 6828	INDUCTOR,3.3U M
	945 049 0690	R-NETWORK 33X4	L2261	945 036 3895	INDUCTOR,220 OHM
RB5212	645 049 0675	R-NETWORK 33X4	L2262	945 036 3895	INDUCTOR,220 OHM
	945 049 0690	R-NETWORK 33X4	L2301	945 036 3895	INDUCTOR,220 OHM
RB5213	645 049 0675	R-NETWORK 33X4	L2302	945 036 3895	INDUCTOR,220 OHM
	945 049 0690	R-NETWORK 33X4	L2303	945 036 3895	INDUCTOR,220 OHM
RB5214	645 049 0675	R-NETWORK 33X4	L2371	945 075 1388	INDUCTOR,10U M
	945 049 0690	R-NETWORK 33X4	L2372	945 036 3895	INDUCTOR,220 OHM
RB5215	645 049 0675	R-NETWORK 33X4	L2373	945 036 3895	INDUCTOR,220 OHM
	945 049 0690	R-NETWORK 33X4	L2374	945 036 3895	INDUCTOR,220 OHM
RB5216	645 049 0675	R-NETWORK 33X4	L2375	945 036 3895	INDUCTOR,220 OHM
	945 049 0690	R-NETWORK 33X4	L2381	945 036 3895	INDUCTOR,220 OHM
RB531	945 036 3529	R-NETWORK 0X4	L2382	945 036 3895	INDUCTOR,220 OHM
	945 037 0817	R-NETWORK 0X4	L2383	945 036 3895	INDUCTOR,220 OHM
RB532	945 036 3529	R-NETWORK 0X4	L2385	945 036 3895	INDUCTOR,220 OHM
	945 037 0817	R-NETWORK 0X4	L2386	945 036 3895	INDUCTOR,220 OHM
RB533	945 036 3529	R-NETWORK 0X4	L2501	945 059 1755	INDUCTOR,22U J
	945 037 0817	R-NETWORK 0X4	L2502	645 092 3616	IMPEDANCE,22 OHM P
RB561	945 036 3529	R-NETWORK 0X4	L2503	645 092 3616	IMPEDANCE,22 OHM P
	945 037 0817	R-NETWORK 0X4	L2504	645 092 3616	IMPEDANCE,22 OHM P
RB562	945 036 3529	R-NETWORK 0X4	L2506	645 092 3616	IMPEDANCE,22 OHM P
	945 037 0817	R-NETWORK 0X4	L2507	645 092 3616	IMPEDANCE,22 OHM P
RB563	945 036 3529	R-NETWORK 0X4	L2508	645 092 3616	IMPEDANCE,22 OHM P
	945 037 0817	R-NETWORK 0X4	L2531	945 059 1755	INDUCTOR,22U J
RB831	945 036 0979	R-NETWORK 10KX4	L2532	645 092 3616	IMPEDANCE,22 OHM P
	945 028 0710	R-NETWORK 10KX4	L2533	645 092 3616	IMPEDANCE,22 OHM P
RB832	945 036 0979	R-NETWORK 10KX4	L2534	645 092 3616	IMPEDANCE,22 OHM P
	945 028 0710	R-NETWORK 10KX4	L2536	645 092 3616	IMPEDANCE,22 OHM P
RB833	945 036 0979	R-NETWORK 10KX4	L2537	645 092 3616	IMPEDANCE,22 OHM P
	945 028 0710	R-NETWORK 10KX4	L2538	645 092 3616	IMPEDANCE,22 OHM P
RB834	945 036 0979	R-NETWORK 10KX4	L2561	945 059 1755	INDUCTOR,22U J
			L2562	645 092 3616	IMPEDANCE,22 OHM P

Electrical Parts List

Key No.	Part No.	Description	Key No.	Part No.	Description
L2563	645 092 3616	IMPEDANCE,22 OHM P	L7721	945 037 4808	INDUCTOR,33U M
L2564	645 092 3616	IMPEDANCE,22 OHM P	L7801	945 059 2240	INDUCTOR,2.2U M
L2566	645 092 3616	IMPEDANCE,22 OHM P	L7802	945 059 2240	INDUCTOR,2.2U M
L2567	645 092 3616	IMPEDANCE,22 OHM P	L812	645 092 3616	IMPEDANCE,22 OHM P
L2568	645 092 3616	IMPEDANCE,22 OHM P	L817	645 092 3616	IMPEDANCE,22 OHM P
L2591	301 035 4111	MT-GLAZE 0.000 ZA 1/8W	L818	645 092 3616	IMPEDANCE,22 OHM P
L2592	301 035 4111	MT-GLAZE 0.000 ZA 1/8W	L821	645 092 3616	IMPEDANCE,22 OHM P
L311	945 050 8449	IMPEDANCE,1000 OHM P	L822	645 092 3616	IMPEDANCE,22 OHM P
L312	945 050 8449	IMPEDANCE,1000 OHM P	L823	645 092 3616	IMPEDANCE,22 OHM P
L316	945 050 8449	IMPEDANCE,1000 OHM P	L824	645 092 3616	IMPEDANCE,22 OHM P
L321	945 050 8449	IMPEDANCE,1000 OHM P	L8291	945 050 8449	IMPEDANCE,1000 OHM P
L326	945 050 8449	IMPEDANCE,1000 OHM P	L8295	945 050 8449	IMPEDANCE,1000 OHM P
L3401	645 092 3616	IMPEDANCE,22 OHM P	L9222	945 064 7988	INDUCTOR,470U M
L3421	945 036 3895	INDUCTOR,220 OHM	L9223	945 086 6648	IMPEDANCE,220 OHM P
L3431	945 075 1388	INDUCTOR,10U M			
L3432	945 036 3895	INDUCTOR,220 OHM	DIODE		
L3433	945 036 3895	INDUCTOR,220 OHM	D1451	307 163 0414	DIODE 1SS352-(TPH3)
L361	945 050 8449	IMPEDANCE,1000 OHM P	D1454	307 163 0414	DIODE 1SS352-(TPH3)
L363	945 050 8449	IMPEDANCE,1000 OHM P	D1455	307 163 0414	DIODE 1SS352-(TPH3)
L366	945 050 8449	IMPEDANCE,1000 OHM P	D1802	307 223 1115	ZENER DIODE 02DZ6.2Y(TPH3)
L368	945 050 8449	IMPEDANCE,1000 OHM P	D1861	307 223 1115	ZENER DIODE 02DZ6.2Y(TPH3)
L371	945 050 8449	IMPEDANCE,1000 OHM P	D1862	307 223 1115	ZENER DIODE 02DZ6.2Y(TPH3)
L372	945 050 8449	IMPEDANCE,1000 OHM P	D201	307 190 4119	DIODE SFPL-52V
L4802	945 041 1978	INDUCTOR,330 OHM	D2251	307 163 0414	DIODE 1SS352-(TPH3)
L4803	945 041 1978	INDUCTOR,330 OHM	D2381	307 163 0414	DIODE 1SS352-(TPH3)
L501	945 080 6828	INDUCTOR,3.3U M	D2385	307 163 0414	DIODE 1SS352-(TPH3)
L502	945 080 6828	INDUCTOR,3.3U M	D3441	307 163 0414	DIODE 1SS352-(TPH3)
L503	945 080 6828	INDUCTOR,3.3U M	D4482	307 163 0414	DIODE 1SS352-(TPH3)
L5201	945 036 3895	INDUCTOR,220 OHM	D5503	307 223 1115	ZENER DIODE 02DZ6.2Y(TPH3)
L5202	945 036 3895	INDUCTOR,220 OHM	D5523	307 223 1115	ZENER DIODE 02DZ6.2Y(TPH3)
L5203	945 036 3895	INDUCTOR,220 OHM	D5541	307 190 4119	DIODE SFPL-52V
L5204	945 036 3895	INDUCTOR,220 OHM	D5542	307 190 4119	DIODE SFPL-52V
L5251	945 036 3895	INDUCTOR,220 OHM	D5543	307 190 4119	DIODE SFPL-52V
L5291	945 036 3895	INDUCTOR,220 OHM	D5544	307 190 4119	DIODE SFPL-52V
L531	945 080 6828	INDUCTOR,3.3U M	D5545	307 163 0414	DIODE 1SS352-(TPH3)
L532	945 080 6828	INDUCTOR,3.3U M	D5563	307 254 2914	ZENER DIODE 02DZ6.8Y(TPH3)
L533	945 080 6828	INDUCTOR,3.3U M	D5606	307 254 4116	ZENER DIODE RSB6.8CS T2R
L5541	645 092 3616	IMPEDANCE,22 OHM P	D5646	307 254 4116	ZENER DIODE RSB6.8CS T2R
L5542	645 092 3616	IMPEDANCE,22 OHM P	D5801	307 223 1115	ZENER DIODE 02DZ6.2Y(TPH3)
L5543	645 092 3616	IMPEDANCE,22 OHM P	D5850	307 223 1115	ZENER DIODE 02DZ6.2Y(TPH3)
L5544	645 092 3616	IMPEDANCE,22 OHM P	D5851	307 223 1115	ZENER DIODE 02DZ6.2Y(TPH3)
L5601	945 075 1388	INDUCTOR,10U M	D5852	307 223 1115	ZENER DIODE 02DZ6.2Y(TPH3)
L5602	945 086 6648	IMPEDANCE,220 OHM P	D5853	307 223 1115	ZENER DIODE 02DZ6.2Y(TPH3)
L5603	945 086 6648	IMPEDANCE,220 OHM P	D5854	307 223 1115	ZENER DIODE 02DZ6.2Y(TPH3)
L561	945 080 6828	INDUCTOR,3.3U M	D5856	307 223 1115	ZENER DIODE 02DZ6.2Y(TPH3)
L562	945 080 6828	INDUCTOR,3.3U M	D5882	307 163 0414	DIODE 1SS352-(TPH3)
L5627	945 086 6662	IMPEDANCE,600 OHM P	D5883	307 163 0414	DIODE 1SS352-(TPH3)
L563	945 080 6828	INDUCTOR,3.3U M	D592	307 225 0215	DIODE RB751S-40
L5636	945 086 6662	IMPEDANCE,600 OHM P	D6503	307 223 1610	ZENER DIODE 02DZ13Y(TPH3)
L5642	945 086 6648	IMPEDANCE,220 OHM P	D6523	307 223 1610	ZENER DIODE 02DZ13Y(TPH3)
L5643	945 086 6648	IMPEDANCE,220 OHM P	D6603	307 223 5014	DIODE D1FM3
L5651	945 075 1388	INDUCTOR,10U M	D6604	307 163 0414	DIODE 1SS352-(TPH3)
L5666	945 086 6662	IMPEDANCE,600 OHM P	D6621	307 225 0215	DIODE RB751S-40
L5674	945 086 6662	IMPEDANCE,600 OHM P	D6622	307 225 0215	DIODE RB751S-40
L5686	945 086 6600	IMPEDANCE,220 OHM P	D6623	307 223 5014	DIODE D1FM3
L6511	645 092 3616	IMPEDANCE,22 OHM P	D6624	307 223 5014	DIODE D1FM3
L6512	645 092 3616	IMPEDANCE,22 OHM P	D6676	307 163 0414	DIODE 1SS352-(TPH3)
L6513	645 092 3616	IMPEDANCE,22 OHM P	D7701	307 223 5014	DIODE D1FM3
L6514	645 092 3616	IMPEDANCE,22 OHM P	D7702	307 163 0414	DIODE 1SS352-(TPH3)
L6515	645 092 3616	IMPEDANCE,22 OHM P	D7703	307 163 0414	DIODE 1SS352-(TPH3)
L6516	301 226 1516	MT-GLAZE 0.000 ZA 1/16W	D7721	307 223 5014	DIODE D1FM3
L6517	301 226 1516	MT-GLAZE 0.000 ZA 1/16W	D7722	307 163 0414	DIODE 1SS352-(TPH3)
L6518	301 226 1516	MT-GLAZE 0.000 ZA 1/16W	D7723	307 163 0414	DIODE 1SS352-(TPH3)
L6519	301 226 1516	MT-GLAZE 0.000 ZA 1/16W	D7822	307 163 0414	DIODE 1SS352-(TPH3)
L6603	945 037 4792	INDUCTOR,100U M	D7823	307 163 0414	DIODE 1SS352-(TPH3)
L6691	945 037 4792	INDUCTOR,100U M	D7842	307 163 0414	DIODE 1SS352-(TPH3)
L7701	945 037 4808	INDUCTOR,33U M	D7843	307 163 0414	DIODE 1SS352-(TPH3)

Electrical Parts List

Key No.	Part No.	Description	Key No.	Part No.	Description
D7863	307 163 0414	DIODE 1SS352-(TPH3)	SW6877	945 026 2792	SWITCH,PUSH 1P-1TX1
D7866	307 225 0215	DIODE RB751S-40	SW6878	945 026 2792	SWITCH,PUSH 1P-1TX1
D7867	307 163 0414	DIODE 1SS352-(TPH3)	SW6879	945 026 2792	SWITCH,PUSH 1P-1TX1
D7891	307 163 0414	DIODE 1SS352-(TPH3)	SW6880	945 026 2792	SWITCH,PUSH 1P-1TX1
D7892	307 163 0414	DIODE 1SS352-(TPH3)			
D7922	307 163 0414	DIODE 1SS352-(TPH3)			
D7923	307 163 0414	DIODE 1SS352-(TPH3)			
D8031	307 163 0414	DIODE 1SS352-(TPH3)			
D8032	307 210 5416	DIODE RB551V-30-TE-17			
D8041	307 201 2724	DIODE RB051L-40-TE25			
D8042	307 201 2724	DIODE RB051L-40-TE25			
D8043	307 201 2724	DIODE RB051L-40-TE25			
D851	307 223 1115	ZENER DIODE 02DZ6.2Y(TPH3)			
D852	307 223 1115	ZENER DIODE 02DZ6.2Y(TPH3)			
D853	307 223 1115	ZENER DIODE 02DZ6.2Y(TPH3)			
D854	307 223 1115	ZENER DIODE 02DZ6.2Y(TPH3)			
D855	307 223 1115	ZENER DIODE 02DZ6.2Y(TPH3)			
D856	307 223 1115	ZENER DIODE 02DZ6.2Y(TPH3)			
D857	307 223 1115	ZENER DIODE 02DZ6.2Y(TPH3)			
D9802	307 254 2716	DIODE CMS16			
D9803	307 163 0414	DIODE 1SS352-(TPH3)			
610 339 9706 ASSY,PWB,SENSOR KR7AL					
CAPACITOR					
C1801	303 409 3426	CERAMIC		0.1U K	16V
RESISTOR					
R1898	301 226 1516	MT-GLAZE		0.000 ZA	1/16W
R1899	301 226 1516	MT-GLAZE		0.000 ZA	1/16W
610 339 9638 ASSY,PWB,A/V KR7AL					
TRANSISTOR					
Q1001	305 217 4913	TR RN1111 TE85L			
Q1002	305 217 4913	TR RN1111 TE85L			
Q1003	305 217 4913	TR RN1111 TE85L			
Q1004	305 014 4512	TR 2SC2412K T146 R			
	305 014 4611	TR 2SC2412K T146 S			
	305 015 8727	TR 2SC2812-L6-TB			
	305 015 8925	TR 2SC2812-L7-TB			
	305 163 1615	TR 2SC2812N-L6-TB0			
	305 173 9816	TR 2SC3928A1R			
	305 173 9915	TR 2SC3928A1S			
Q1008	305 014 4512	TR 2SC2412K T146 R			
	305 014 4611	TR 2SC2412K T146 S			
	305 015 8727	TR 2SC2812-L6-TB			
	305 015 8925	TR 2SC2812-L7-TB			
	305 163 1615	TR 2SC2812N-L6-TB0			
	305 173 9816	TR 2SC3928A1R			
	305 173 9915	TR 2SC3928A1S			
Q1009	305 134 5928	TR 2SA1037AK-T146-R			
	305 147 2218	TR 2SA1037AK-S-T146			
	305 173 9618	TR 2SA1235A1E			
	305 173 9717	TR 2SA1235A1F			
	405 220 3115	TR ISA1235AC1E			
	405 220 3016	TR ISA1235AC1F			
Q1011	305 134 5928	TR 2SA1037AK-T146-R			
	305 147 2218	TR 2SA1037AK-S-T146			
	305 173 9618	TR 2SA1235A1E			
	305 173 9717	TR 2SA1235A1F			
	405 220 3115	TR ISA1235AC1E			
	405 220 3016	TR ISA1235AC1F			
Q1012	305 014 4512	TR 2SC2412K T146 R			
	305 014 4611	TR 2SC2412K T146 S			
	305 015 8727	TR 2SC2812-L6-TB			
	305 015 8925	TR 2SC2812-L7-TB			
	305 163 1615	TR 2SC2812N-L6-TB0			
	305 173 9816	TR 2SC3928A1R			
	305 173 9915	TR 2SC3928A1S			
Q1014	305 014 4512	TR 2SC2412K T146 R			
	305 014 4611	TR 2SC2412K T146 S			
	305 015 8727	TR 2SC2812-L6-TB			
	305 015 8925	TR 2SC2812-L7-TB			
	305 163 1615	TR 2SC2812N-L6-TB0			
	305 173 9816	TR 2SC3928A1R			
	305 173 9915	TR 2SC3928A1S			
Q1016	305 014 4512	TR 2SC2412K T146 R			
	305 014 4611	TR 2SC2412K T146 S			
	305 015 8727	TR 2SC2812-L6-TB			
	305 015 8925	TR 2SC2812-L7-TB			
610 339 9690 ASSY,PWB,CONTROL KR7AL					
CAPACITOR					
C6878	303 409 3426	CERAMIC		0.1U K	16V
RESISTOR					
R6871	301 225 1814	MT-GLAZE	47 JA		1/16W
R6872	301 225 1814	MT-GLAZE	47 JA		1/16W
R6873	301 225 1814	MT-GLAZE	47 JA		1/16W
R6874	301 225 1814	MT-GLAZE	47 JA		1/16W
R6875	301 225 1814	MT-GLAZE	47 JA		1/16W
R6876	301 225 1814	MT-GLAZE	47 JA		1/16W
R6878	301 226 1516	MT-GLAZE	0.000 ZA		1/16W
DIODE					
D6871	307 222 5916	ZENER DIODEUDZS3.6B-TE-17			
D6872	307 163 0414	DIODE 1SS352-(TPH3)			
D6873	307 222 5916	ZENER DIODEUDZS3.6B-TE-17			
D6874	307 163 0414	DIODE 1SS352-(TPH3)			
D6875	307 222 5916	ZENER DIODEUDZS3.6B-TE-17			
D6876	307 163 0414	DIODE 1SS352-(TPH3)			
D6877	307 222 5916	ZENER DIODEUDZS3.6B-TE-17			
D6878	307 222 5916	ZENER DIODEUDZS3.6B-TE-17			
D6879	307 222 5916	ZENER DIODEUDZS3.6B-TE-17			
D6880	307 222 5916	ZENER DIODEUDZS3.6B-TE-17			
D6895	307 223 0514	ZENER DIODE 02DZ12Y(TPH3)			
MISCELLANEOUS					
SW6871	945 026 2792	SWITCH,PUSH 1P-1TX1			
SW6872	945 026 2792	SWITCH,PUSH 1P-1TX1			
SW6873	945 026 2792	SWITCH,PUSH 1P-1TX1			
SW6874	945 026 2792	SWITCH,PUSH 1P-1TX1			
SW6875	945 026 2792	SWITCH,PUSH 1P-1TX1			
SW6876	945 026 2792	SWITCH,PUSH 1P-1TX1			

Electrical Parts List

Key No.	Part No.	Description	Key No.	Part No.	Description
	305 163 1615	TR 2SC2812N-L6-TB0	IC1006	309 400 7118	IC TC7W53FU-(TE12L)
	305 173 9816	TR 2SC3928A1R	IC1007	309 461 7317	IC AD8057ARTZ-REEL7
	305 173 9915	TR 2SC3928A1S	IC1008	309 461 7317	IC AD8057ARTZ-REEL7
Q2001	305 217 4913	TR RN1111 TE85L	IC1009	309 461 7317	IC AD8057ARTZ-REEL7
Q2002	305 217 4913	TR RN1111 TE85L	IC1011	309 484 2016	IC BA7078AF-E2
Q2003	305 217 4913	TR RN1111 TE85L	IC1014	410 643 5100	IC PQ070XNB1ZPH
Q2041	305 014 4512	TR 2SC2412K T146 R	IC2001	309 470 2617	IC AD8183ARUZ-REEL7
	305 014 4611	TR 2SC2412K T146 S	IC3801	309 652 0714	IC HIN202EIBNZ-T
	305 015 8727	TR 2SC2812-L6-TB	IC4002	310 348 7501	IC TC7WT241FU(TE12L)
	305 015 8925	TR 2SC2812-L7-TB	IC5001	309 470 2617	IC AD8183ARUZ-REEL7
	305 163 1615	TR 2SC2812N-L6-TB0	IC6001	309 564 1519	IC NJW1141M(TE2)
	305 173 9816	TR 2SC3928A1R	CAPACITOR		
	305 173 9915	TR 2SC3928A1S	C1001	303 367 0410	CERAMIC 0.1U K 50V
Q3001	305 014 4512	TR 2SC2412K T146 R	C1002	303 367 0410	CERAMIC 0.1U K 50V
	305 014 4611	TR 2SC2412K T146 S	C1016	303 367 0410	CERAMIC 0.1U K 50V
	305 015 8727	TR 2SC2812-L6-TB	C1017	303 367 0410	CERAMIC 0.1U K 50V
	305 015 8925	TR 2SC2812-L7-TB	C1018	303 157 1412	CERAMIC 2P C 50V
	305 163 1615	TR 2SC2812N-L6-TB0	C1019	303 284 4317	CERAMIC 0.022U K 50V
	305 173 9816	TR 2SC3928A1R	C1020	303 367 0410	CERAMIC 0.1U K 50V
Q3002	305 173 9915	TR 2SC3928A1S	C1021	303 398 4111	ELECT 47U M 16V
	305 014 4512	TR 2SC2412K T146 R		303 387 6515	ELECT 47U M 16V
	305 014 4611	TR 2SC2412K T146 S	C1022	303 358 8319	CERAMIC 1U K 10V
	305 015 8727	TR 2SC2812-L6-TB	C1023	303 367 0410	CERAMIC 0.1U K 50V
	305 015 8925	TR 2SC2812-L7-TB	C1024	303 367 0410	CERAMIC 0.1U K 50V
	305 163 1615	TR 2SC2812N-L6-TB0	C1025	303 367 0410	CERAMIC 0.1U K 50V
	305 173 9816	TR 2SC3928A1R	C1026	303 157 3614	CERAMIC 100P J 50V
	305 173 9915	TR 2SC3928A1S	C1027	303 070 1018	CERAMIC 0.1U K 50V
Q4001	305 217 4913	TR RN1111 TE85L	C1028	303 233 3811	CERAMIC 10P C 50V
Q6001	305 014 4512	TR 2SC2412K T146 R	C1029	303 367 0410	CERAMIC 0.1U K 50V
	305 014 4611	TR 2SC2412K T146 S	C1031	303 367 0410	CERAMIC 0.1U K 50V
	305 015 8727	TR 2SC2812-L6-TB	C1032	303 155 2213	CERAMIC 3300P K 50V
	305 015 8925	TR 2SC2812-L7-TB	C1033	303 379 6714	CERAMIC 10U K 16V
	305 163 1615	TR 2SC2812N-L6-TB0	C1034	303 233 3811	CERAMIC 10P C 50V
	305 173 9816	TR 2SC3928A1R	C1036	303 367 0410	CERAMIC 0.1U K 50V
	305 173 9915	TR 2SC3928A1S	C1037	303 367 0410	CERAMIC 0.1U K 50V
Q6002	305 014 4512	TR 2SC2412K T146 R	C1038	303 367 0410	CERAMIC 0.1U K 50V
	305 014 4611	TR 2SC2412K T146 S	C1039	303 355 9913	CERAMIC 2.2U K 10V
	305 015 8727	TR 2SC2812-L6-TB	C1041	303 355 9913	CERAMIC 2.2U K 10V
	305 015 8925	TR 2SC2812-L7-TB	C1042	303 358 8319	CERAMIC 1U K 10V
	305 163 1615	TR 2SC2812N-L6-TB0	C1043	303 348 5826	CERAMIC 0.47U K 10V
	305 173 9816	TR 2SC3928A1R	C1044	303 355 9913	CERAMIC 2.2U K 10V
	305 173 9915	TR 2SC3928A1S	C1046	303 358 8319	CERAMIC 1U K 10V
Q6003	305 014 4512	TR 2SC2412K T146 R	C1047	303 367 0410	CERAMIC 0.1U K 50V
	305 014 4611	TR 2SC2412K T146 S	C1048	303 157 3614	CERAMIC 100P J 50V
	305 015 8727	TR 2SC2812-L6-TB	C1055	303 358 3215	CERAMIC 10U K 6.3V
	305 015 8925	TR 2SC2812-L7-TB		303 368 7319	CERAMIC 10U K 6.3V
	305 163 1615	TR 2SC2812N-L6-TB0	C1057	303 367 0410	CERAMIC 0.1U K 50V
	305 173 9816	TR 2SC3928A1R	C1058	303 367 0410	CERAMIC 0.1U K 50V
	305 173 9915	TR 2SC3928A1S	C1059	303 367 0410	CERAMIC 0.1U K 50V
Q6004	305 014 4512	TR 2SC2412K T146 R	C1061	303 367 0410	CERAMIC 0.1U K 50V
	305 014 4611	TR 2SC2412K T146 S	C1091	303 367 0410	CERAMIC 0.1U K 50V
	305 015 8727	TR 2SC2812-L6-TB	C1092	303 358 8319	CERAMIC 1U K 10V
	305 015 8925	TR 2SC2812-L7-TB	C1094	303 358 3215	CERAMIC 10U K 6.3V
	305 163 1615	TR 2SC2812N-L6-TB0		303 368 7319	CERAMIC 10U K 6.3V
	305 173 9816	TR 2SC3928A1R	C1095	303 394 1312	ELECT 100U M 6.3V
	305 173 9915	TR 2SC3928A1S		303 427 9315	ELECT 100U M 6.3V
Q6005	305 134 5928	TR 2SA1037AK-T146-R	C2001	303 367 0410	CERAMIC 0.1U K 50V
	305 147 2218	TR 2SA1037AK-S-T146	C2002	303 367 0410	CERAMIC 0.1U K 50V
	305 173 9618	TR 2SA1235A1E	C2003	303 367 0410	CERAMIC 0.1U K 50V
	305 173 9717	TR 2SA1235A1F	C2004	303 367 0410	CERAMIC 0.1U K 50V
	405 220 3115	TR ISA1235AC1E	C2006	303 367 0410	CERAMIC 0.1U K 50V
	405 220 3016	TR ISA1235AC1F	C2007	303 367 0410	CERAMIC 0.1U K 50V
INTEGRATED CIRCUIT			C2008	303 367 0410	CERAMIC 0.1U K 50V
IC1002	309 434 8112	IC TC4053BFT-(EL)	C2009	303 367 0410	CERAMIC 0.1U K 50V
IC1003	310 517 6809	IC TC74LVX4053FT	C2011	303 367 0410	CERAMIC 0.1U K 50V
IC1004	309 462 0327	IC 24LC21AT/SN	C2041	303 367 0410	CERAMIC 0.1U K 50V

Electrical Parts List

Key No.	Part No.	Description	Key No.	Part No.	Description
C2821	303 358 8319	CERAMIC	1U K	10V	
C2822	303 398 4111	ELECT	47U M	16V	
	303 387 6515	ELECT	47U M	16V	
C2823	303 157 4215	CERAMIC	220P J	50V	
C2824	303 367 0410	CERAMIC	0.1U K	50V	
C3001	303 367 0410	CERAMIC	0.1U K	50V	
C3002	303 358 3215	CERAMIC	10U K	6.3V	
	303 368 7319	CERAMIC	10U K	6.3V	
C3003	303 367 0410	CERAMIC	0.1U K	50V	
C3004	303 367 0410	CERAMIC	0.1U K	50V	
C3801	303 358 8319	CERAMIC	1U K	10V	
C3802	303 358 8319	CERAMIC	1U K	10V	
C3803	303 358 8319	CERAMIC	1U K	10V	
C3804	303 358 8319	CERAMIC	1U K	10V	
C3806	303 358 8319	CERAMIC	1U K	10V	
C3811	303 157 3614	CERAMIC	100P J	50V	
C3812	303 157 3614	CERAMIC	100P J	50V	
C4001	303 367 0410	CERAMIC	0.1U K	50V	
C4002	303 367 0410	CERAMIC	0.1U K	50V	
C4003	303 367 0410	CERAMIC	0.1U K	50V	
C4004	303 367 0410	CERAMIC	0.1U K	50V	
C4006	303 367 0410	CERAMIC	0.1U K	50V	
C4007	303 358 3215	CERAMIC	10U K	6.3V	
	303 368 7319	CERAMIC	10U K	6.3V	
C4008	303 367 0410	CERAMIC	0.1U K	50V	
C4009	303 358 3215	CERAMIC	10U K	6.3V	
	303 368 7319	CERAMIC	10U K	6.3V	
C4011	303 367 0410	CERAMIC	0.1U K	50V	
C4012	303 367 0410	CERAMIC	0.1U K	50V	
C5001	303 367 0410	CERAMIC	0.1U K	50V	
C5002	303 367 0410	CERAMIC	0.1U K	50V	
C5003	303 367 0410	CERAMIC	0.1U K	50V	
C5004	303 367 0410	CERAMIC	0.1U K	50V	
C5005	303 367 0410	CERAMIC	0.1U K	50V	
C5006	303 367 0410	CERAMIC	0.1U K	50V	
C5007	303 367 0410	CERAMIC	0.1U K	50V	
C5008	303 367 0410	CERAMIC	0.1U K	50V	
C5009	303 367 0410	CERAMIC	0.1U K	50V	
C6001	303 367 0410	CERAMIC	0.1U K	50V	
C6002	303 367 0410	CERAMIC	0.1U K	50V	
C6003	303 367 0410	CERAMIC	0.1U K	50V	
C6004	303 367 0410	CERAMIC	0.1U K	50V	
C6005	303 113 4112	CERAMIC	2200P K	50V	
C6006	303 367 0410	CERAMIC	0.1U K	50V	
C6007	303 358 8319	CERAMIC	1U K	10V	
C6008	303 358 8319	CERAMIC	1U K	10V	
C6011	303 367 0410	CERAMIC	0.1U K	50V	
C6012	303 367 0410	CERAMIC	0.1U K	50V	
C6013	303 367 0410	CERAMIC	0.1U K	50V	
C6014	303 367 0410	CERAMIC	0.1U K	50V	
C6015	303 113 4112	CERAMIC	2200P K	50V	
C6016	303 367 0410	CERAMIC	0.1U K	50V	
C6017	303 374 4210	CERAMIC	0.33U K	10V	
C6018	303 358 8319	CERAMIC	1U K	10V	
C6019	303 358 8319	CERAMIC	1U K	10V	
C6020	303 358 8319	CERAMIC	1U K	10V	
C6021	303 398 4111	ELECT	47U M	16V	
	303 387 6515	ELECT	47U M	16V	
C6022	303 367 0410	CERAMIC	0.1U K	50V	
C6023	303 367 0410	CERAMIC	0.1U K	50V	
C6024	303 367 0410	CERAMIC	0.1U K	50V	
C6025	303 379 6714	CERAMIC	10U K	16V	
C6026	303 379 6714	CERAMIC	10U K	16V	
RESISTOR					
R1001	301 258 2611	MT-GLAZE	150 FA	1/10W	
R1002	301 258 2611	MT-GLAZE	150 FA	1/10W	
R1003	301 258 2611	MT-GLAZE	150 FA	1/10W	
R1004	301 258 2611	MT-GLAZE	150 FA	1/10W	
R1005	301 258 2611	MT-GLAZE	150 FA	1/10W	
R1006	301 258 2611	MT-GLAZE	150 FA	1/10W	
R1007	301 150 5918	MT-GLAZE	10K JA	1/10W	
R1008	301 255 6513	MT-GLAZE	100 JA	1/10W	
R1009	301 255 6513	MT-GLAZE	100 JA	1/10W	
R1010	301 150 5819	MT-GLAZE	100K JA	1/10W	
R1011	301 150 6014	MT-GLAZE	0.000 ZA	1/10W	
R1012	301 150 6014	MT-GLAZE	0.000 ZA	1/10W	
R1013	301 150 5819	MT-GLAZE	100K JA	1/10W	
R1014	301 260 4016	MT-GLAZE	68 JA	1/3W	
R1015	301 260 4016	MT-GLAZE	68 JA	1/3W	
R1018	301 150 5918	MT-GLAZE	10K JA	1/10W	
R1021	301 150 6014	MT-GLAZE	0.000 ZA	1/10W	
R1022	301 150 5918	MT-GLAZE	10K JA	1/10W	
R1023	301 255 6513	MT-GLAZE	100 JA	1/10W	
R1024	301 255 6513	MT-GLAZE	100 JA	1/10W	
R1026	301 150 6212	MT-GLAZE	1K JA	1/10W	
R1027	301 255 6513	MT-GLAZE	100 JA	1/10W	
R1028	301 255 6513	MT-GLAZE	100 JA	1/10W	
R1029	301 162 3711	MT-GLAZE	4.7K JA	1/10W	
R1030	301 162 3711	MT-GLAZE	4.7K JA	1/10W	
R1034	301 255 6513	MT-GLAZE	100 JA	1/10W	
R1035	301 255 6513	MT-GLAZE	100 JA	1/10W	
R1036	301 255 6513	MT-GLAZE	100 JA	1/10W	
R1042	301 150 6014	MT-GLAZE	0.000 ZA	1/10W	
R1043	301 255 6513	MT-GLAZE	100 JA	1/10W	
R1044	301 150 5819	MT-GLAZE	100K JA	1/10W	
R1046	301 256 6314	MT-GLAZE	47K JA	1/10W	
R1047	301 150 6212	MT-GLAZE	1K JA	1/10W	
R1048	301 256 6314	MT-GLAZE	47K JA	1/10W	
R1049	301 150 6212	MT-GLAZE	1K JA	1/10W	
R1051	301 150 6212	MT-GLAZE	1K JA	1/10W	
R1052	301 150 6212	MT-GLAZE	1K JA	1/10W	
R1053	301 264 7518	MT-GLAZE	2.7K FA	1/10W	
R1054	301 255 6513	MT-GLAZE	100 JA	1/10W	
R1056	301 150 6212	MT-GLAZE	1K JA	1/10W	
R1057	301 150 6014	MT-GLAZE	0.000 ZA	1/10W	
R1061	301 150 6212	MT-GLAZE	1K JA	1/10W	
R1063	301 264 7518	MT-GLAZE	2.7K FA	1/10W	
R1064	301 264 7518	MT-GLAZE	2.7K FA	1/10W	
R1066	301 255 6513	MT-GLAZE	100 JA	1/10W	
R1067	301 255 6513	MT-GLAZE	100 JA	1/10W	
R1068	301 255 6513	MT-GLAZE	100 JA	1/10W	
R1069	301 150 6212	MT-GLAZE	1K JA	1/10W	
R1071	301 264 7518	MT-GLAZE	2.7K FA	1/10W	
R1072	301 255 6018	MT-GLAZE	1M JA	1/10W	
R1073	301 256 7618	MT-GLAZE	3.9K JA	1/10W	
R1074	301 255 6513	MT-GLAZE	100 JA	1/10W	
R1076	301 255 6513	MT-GLAZE	100 JA	1/10W	
R1077	301 150 6014	MT-GLAZE	0.000 ZA	1/10W	
R1078	301 150 6014	MT-GLAZE	0.000 ZA	1/10W	
R1079	301 264 5316	MT-GLAZE	2.2 JA	1/10W	
R1081	301 150 6212	MT-GLAZE	1K JA	1/10W	
R1082	301 150 6113	MT-GLAZE	2.2K JA	1/10W	
R1083	301 256 6314	MT-GLAZE	47K JA	1/10W	
R1084	301 150 6014	MT-GLAZE	0.000 ZA	1/10W	
R1085	301 162 2813	MT-GLAZE	1.8K JA	1/10W	
R1086	301 162 2813	MT-GLAZE	1.8K JA	1/10W	
R1090TM	301 027 3026	CARBON	56K JA	1/6W	
R1091	301 037 5017	MT-GLAZE	0.000 ZA	1/10W	
R1093	301 037 5017	MT-GLAZE	0.000 ZA	1/10W	
R1094	301 264 9314	MT-GLAZE	3.3K FA	1/10W	
R1095	301 264 6917	MT-GLAZE	240 FA	1/10W	
R1096	301 264 1813	MT-GLAZE	1K FA	1/10W	
R2001	301 258 2611	MT-GLAZE	150 FA	1/10W	

Electrical Parts List

Key No.	Part No.	Description	Key No.	Part No.	Description
R2002	301 258 2611	MT-GLAZE 150 FA 1/10W	R3803	301 150 6014	MT-GLAZE 0.000 ZA 1/10W
R2003	301 258 2611	MT-GLAZE 150 FA 1/10W	R3804	301 150 6014	MT-GLAZE 0.000 ZA 1/10W
R2004	301 258 2611	MT-GLAZE 150 FA 1/10W	R3806	301 255 6513	MT-GLAZE 100 JA 1/10W
R2005	301 258 2611	MT-GLAZE 150 FA 1/10W	R3807	301 255 6513	MT-GLAZE 100 JA 1/10W
R2006	301 258 2611	MT-GLAZE 150 FA 1/10W	R3808	301 150 5918	MT-GLAZE 10K JA 1/10W
R2007	301 255 6513	MT-GLAZE 100 JA 1/10W	R3814	301 150 5819	MT-GLAZE 100K JA 1/10W
R2008	301 255 6513	MT-GLAZE 100 JA 1/10W	R3815	301 150 5819	MT-GLAZE 100K JA 1/10W
R2009	301 255 6513	MT-GLAZE 100 JA 1/10W	R3816	301 255 6513	MT-GLAZE 100 JA 1/10W
R2010	301 260 4016	MT-GLAZE 68 JA 1/3W	R3817	301 255 6513	MT-GLAZE 100 JA 1/10W
R2011	301 260 4016	MT-GLAZE 68 JA 1/3W	R3818	301 256 6314	MT-GLAZE 47K JA 1/10W
R2012	301 150 5918	MT-GLAZE 10K JA 1/10W	R3819	301 256 6314	MT-GLAZE 47K JA 1/10W
R2014	301 035 4111	MT-GLAZE 0.000 ZA 1/8W	R3820	301 256 6314	MT-GLAZE 47K JA 1/10W
R2016	301 035 4111	MT-GLAZE 0.000 ZA 1/8W	R3821	301 256 6314	MT-GLAZE 47K JA 1/10W
R2017	301 150 5918	MT-GLAZE 10K JA 1/10W	R4001	301 265 4912	MT-GLAZE 75 FA 1/10W
R2018	301 255 6513	MT-GLAZE 100 JA 1/10W	R4002	301 265 4912	MT-GLAZE 75 FA 1/10W
R2019	301 255 6513	MT-GLAZE 100 JA 1/10W	R4003	301 265 4912	MT-GLAZE 75 FA 1/10W
R2020	301 255 6513	MT-GLAZE 100 JA 1/10W	R4004	301 265 4912	MT-GLAZE 75 FA 1/10W
R2021	301 255 6513	MT-GLAZE 100 JA 1/10W	R4006	301 265 4912	MT-GLAZE 75 FA 1/10W
R2022	301 150 6014	MT-GLAZE 0.000 ZA 1/10W	R4007	301 150 6014	MT-GLAZE 0.000 ZA 1/10W
R2023	301 150 6014	MT-GLAZE 0.000 ZA 1/10W	R4008	301 150 6014	MT-GLAZE 0.000 ZA 1/10W
R2024	301 150 6014	MT-GLAZE 0.000 ZA 1/10W	R4009	301 150 6014	MT-GLAZE 0.000 ZA 1/10W
R2026	301 256 4112	MT-GLAZE 56 JA 1/10W	R4011	301 255 6513	MT-GLAZE 100 JA 1/10W
R2027	301 256 4112	MT-GLAZE 56 JA 1/10W	R4012	301 150 5918	MT-GLAZE 10K JA 1/10W
R2028	301 256 4112	MT-GLAZE 56 JA 1/10W	R5001	301 035 4111	MT-GLAZE 0.000 ZA 1/8W
R2029	301 255 6513	MT-GLAZE 100 JA 1/10W	R5002	301 035 4111	MT-GLAZE 0.000 ZA 1/8W
R2031	301 150 6014	MT-GLAZE 0.000 ZA 1/10W	R5003	301 162 3711	MT-GLAZE 4.7K JA 1/10W
R2032	301 150 6014	MT-GLAZE 0.000 ZA 1/10W	R5011	301 255 6513	MT-GLAZE 100 JA 1/10W
R2033	301 150 6014	MT-GLAZE 0.000 ZA 1/10W	R5012	301 256 4112	MT-GLAZE 56 JA 1/10W
R2035	301 150 5819	MT-GLAZE 100K JA 1/10W	R5013	301 255 6513	MT-GLAZE 100 JA 1/10W
R2036	301 150 5819	MT-GLAZE 100K JA 1/10W	R5014	301 256 4112	MT-GLAZE 56 JA 1/10W
R2038	301 255 6513	MT-GLAZE 100 JA 1/10W	R5015	301 255 6513	MT-GLAZE 100 JA 1/10W
R2039	301 255 6513	MT-GLAZE 100 JA 1/10W	R5016	301 256 4112	MT-GLAZE 56 JA 1/10W
R2041	301 150 5918	MT-GLAZE 10K JA 1/10W	R6001	301 255 6513	MT-GLAZE 100 JA 1/10W
R2042	301 162 3018	MT-GLAZE 22K JA 1/10W	R6002	301 255 6513	MT-GLAZE 100 JA 1/10W
R2043	301 162 3018	MT-GLAZE 22K JA 1/10W	R6003	301 255 6513	MT-GLAZE 100 JA 1/10W
R2044	301 162 3018	MT-GLAZE 22K JA 1/10W	R6004	301 255 6513	MT-GLAZE 100 JA 1/10W
R2821	301 260 4016	MT-GLAZE 68 JA 1/3W	R6005	301 150 6212	MT-GLAZE 1K JA 1/10W
R2822	301 150 6014	MT-GLAZE 0.000 ZA 1/10W	R6006	301 150 6212	MT-GLAZE 1K JA 1/10W
R2823	301 255 6513	MT-GLAZE 100 JA 1/10W	R6007	301 255 6513	MT-GLAZE 100 JA 1/10W
R2824	301 255 6513	MT-GLAZE 100 JA 1/10W	R6009	301 255 6513	MT-GLAZE 100 JA 1/10W
R2826	301 150 5918	MT-GLAZE 10K JA 1/10W	R6011	301 162 2417	MT-GLAZE 1.2K JA 1/10W
R2827	301 255 6513	MT-GLAZE 100 JA 1/10W	R6012	301 162 2417	MT-GLAZE 1.2K JA 1/10W
R2828	301 255 8111	MT-GLAZE 5.1K JA 1/10W	R6014	301 150 6212	MT-GLAZE 1K JA 1/10W
R2829	301 150 5918	MT-GLAZE 10K JA 1/10W	R6015	301 162 2417	MT-GLAZE 1.2K JA 1/10W
R3001	301 258 2611	MT-GLAZE 150 FA 1/10W	R6016	301 162 2417	MT-GLAZE 1.2K JA 1/10W
R3002	301 258 2611	MT-GLAZE 150 FA 1/10W	R6017	301 150 6212	MT-GLAZE 1K JA 1/10W
R3003	301 258 2611	MT-GLAZE 150 FA 1/10W	R6018	301 150 6014	MT-GLAZE 0.000 ZA 1/10W
R3004	301 258 2611	MT-GLAZE 150 FA 1/10W	R6019	301 255 6513	MT-GLAZE 100 JA 1/10W
R3005	301 258 2611	MT-GLAZE 150 FA 1/10W	R6020	301 255 6513	MT-GLAZE 100 JA 1/10W
R3006	301 258 2611	MT-GLAZE 150 FA 1/10W	R6021	301 150 5918	MT-GLAZE 10K JA 1/10W
R3007	301 258 2611	MT-GLAZE 150 FA 1/10W	R6022	301 150 5918	MT-GLAZE 10K JA 1/10W
R3008	301 258 2611	MT-GLAZE 150 FA 1/10W			
R3009	301 258 2611	MT-GLAZE 150 FA 1/10W			
R3010	301 258 2611	MT-GLAZE 150 FA 1/10W			
R3011	301 162 2219	MT-GLAZE 10 JA 1/10W			
R3012	301 162 2219	MT-GLAZE 10 JA 1/10W			
R3013	301 255 6513	MT-GLAZE 100 JA 1/10W			
R3014	301 255 6513	MT-GLAZE 100 JA 1/10W			
R3015	301 255 6513	MT-GLAZE 100 JA 1/10W			
R3017	301 150 6212	MT-GLAZE 1K JA 1/10W			
R3018	301 256 6314	MT-GLAZE 47K JA 1/10W			
R3019	301 256 5317	MT-GLAZE 56K JA 1/10W			
R3020	301 150 6212	MT-GLAZE 1K JA 1/10W			
R3021	301 256 6314	MT-GLAZE 47K JA 1/10W			
R3022	301 256 5317	MT-GLAZE 56K JA 1/10W			
R3801	301 255 6513	MT-GLAZE 100 JA 1/10W			
R3802	301 255 6513	MT-GLAZE 100 JA 1/10W			
			COIL		
			L1001	945 086 7577	FILTER,EMI 400MHZ
			L1002	945 086 7577	FILTER,EMI 400MHZ
			L1003	945 086 7577	FILTER,EMI 400MHZ
			L1004	945 086 7560	FILTER,EMI 200MHZ
			L1006	945 086 7560	FILTER,EMI 200MHZ
			L1007	945 004 6644	INDUCTOR,220 OHM
			L1009	945 059 2240	INDUCTOR,2.2U M
			L1011	645 092 3494	IMPEDANCE,90 OHM P
			L1012	645 092 3494	IMPEDANCE,90 OHM P
			L1013	645 092 3494	IMPEDANCE,90 OHM P
			L1014	645 092 3494	IMPEDANCE,90 OHM P
			L2001	945 086 7577	FILTER,EMI 400MHZ
			L2002	945 086 7577	FILTER,EMI 400MHZ
			L2003	945 086 7577	FILTER,EMI 400MHZ

Electrical Parts List

Key No.	Part No.	Description	Key No.	Part No.	Description
L2004	945 086 7560	FILTER,EMI 200MHZ	SC1004	945 076 3503	SURGE-ABSORBER
L2006	945 086 7560	FILTER,EMI 200MHZ	SC1006	945 076 3503	SURGE-ABSORBER
L2007	301 035 4111	MT-GLAZE 0.000 ZA 1/8W	SC1007	945 076 3503	SURGE-ABSORBER
L2821	945 086 7454	FILTER,EMI 50MHZ	SC1008	945 076 3503	SURGE-ABSORBER
L2822	945 086 7454	FILTER,EMI 50MHZ	SC2001	945 076 3503	SURGE-ABSORBER
L3001	945 086 7577	FILTER,EMI 400MHZ	SC2002	945 076 3503	SURGE-ABSORBER
L3002	945 086 7577	FILTER,EMI 400MHZ	SC2003	945 076 3503	SURGE-ABSORBER
L3003	945 086 7577	FILTER,EMI 400MHZ	SC2004	945 076 3503	SURGE-ABSORBER
L3004	945 086 7461	FILTER,EMI 100MHZ	SC2006	945 076 3503	SURGE-ABSORBER
L3006	945 086 7461	FILTER,EMI 100MHZ	SC3001	945 076 3503	SURGE-ABSORBER
L3801	945 086 7454	FILTER,EMI 50MHZ	SC3002	945 076 3503	SURGE-ABSORBER
L3802	945 086 7454	FILTER,EMI 50MHZ	SC3003	945 076 3503	SURGE-ABSORBER
L3803	945 070 3660	INDUCTOR,90 OHM	SC3004	945 076 3503	SURGE-ABSORBER
L3804	945 059 2240	INDUCTOR,2.2U M	SC3006	945 076 3503	SURGE-ABSORBER
L3811	945 086 7454	FILTER,EMI 50MHZ	SC3801	945 076 3503	SURGE-ABSORBER
L3812	945 086 7454	FILTER,EMI 50MHZ	SC3802	945 076 3503	SURGE-ABSORBER
L3813	945 086 7454	FILTER,EMI 50MHZ	SC3813	945 076 3503	SURGE-ABSORBER
L3814	945 086 7454	FILTER,EMI 50MHZ	SC3814	945 076 3503	SURGE-ABSORBER
L3815	945 086 7454	FILTER,EMI 50MHZ	SC3815	945 076 3503	SURGE-ABSORBER
L3816	945 086 7454	FILTER,EMI 50MHZ	SC3816	945 076 3503	SURGE-ABSORBER
L4001	945 086 7577	FILTER,EMI 400MHZ			
L4002	945 086 7577	FILTER,EMI 400MHZ			
L4003	945 086 7577	FILTER,EMI 400MHZ			
L4004	945 086 7577	FILTER,EMI 400MHZ			
L4006	945 086 7577	FILTER,EMI 400MHZ			
L5001	301 035 4111	MT-GLAZE 0.000 ZA 1/8W			
L6001	945 041 1978	INDUCTOR,330 OHM			
DIODE			610 339 9645 ASSY,PWB,R/C FRONT KR7AL		
D1001	307 254 2914	ZENER DIODE 02DZ6.8Y(TPH3)	CAPACITOR		
D1002	307 254 2914	ZENER DIODE 02DZ6.8Y(TPH3)	C1691	303 281 2415	CERAMIC 0.22U K 16V
D1003	307 201 2724	DIODE RB051L-40-TE25	C1692	303 155 1612	CERAMIC 33P J 50V
D1004	307 201 2724	DIODE RB051L-40-TE25	C1693	303 155 1612	CERAMIC 33P J 50V
D1005	307 223 1115	ZENER DIODE 02DZ6.2Y(TPH3)	C2851	303 316 5411	CERAMIC 1U K 10V
D1006	307 223 1115	ZENER DIODE 02DZ6.2Y(TPH3)	C2852	303 392 1215	ELECT 47U M 6.3V
D1007	307 163 0414	DIODE 1SS352-(TPH3)		303 387 5310	ELECT 47U M 6.3V
D1008	307 163 0414	DIODE 1SS352-(TPH3)	C2854	303 157 6219	CERAMIC 220P K 50V
D1009	307 163 0414	DIODE 1SS352-(TPH3)	RESISTOR		
D1010	307 163 0414	DIODE 1SS352-(TPH3)	R1691	301 255 6513	MT-GLAZE 100 JA 1/10W
D1011	307 163 0414	DIODE 1SS352-(TPH3)	R1692	301 255 6513	MT-GLAZE 100 JA 1/10W
D1012	307 163 0414	DIODE 1SS352-(TPH3)	R1693	301 255 6513	MT-GLAZE 100 JA 1/10W
D1013	307 163 0414	DIODE 1SS352-(TPH3)	R2851	301 150 6014	MT-GLAZE 0.000 ZA 1/10W
D1019TM	307 201 2724	DIODE RB051L-40-TE25	R2852	301 260 4016	MT-GLAZE 68 JA 1/3W
D1021	307 163 0414	DIODE 1SS352-(TPH3)	R2853	301 150 6014	MT-GLAZE 0.000 ZA 1/10W
D1022	307 163 0414	DIODE 1SS352-(TPH3)	MISCELLANEOUS		
D2041	307 163 0414	DIODE 1SS352-(TPH3)	AU2801	945 083 3800	UNIT,REMOCON RECEIVER
D2042	307 163 0414	DIODE 1SS352-(TPH3)	610 339 9652 ASSY,PWB,COVER SW KR7AL		
D2821	307 254 2914	ZENER DIODE 02DZ6.8Y(TPH3)	SW1861	945 063 5176	SWITCH,PUSH 2P-2TX3
D2822	307 254 2914	ZENER DIODE 02DZ6.8Y(TPH3)	610 339 9669 ASSY,PWB,LED KR7AL		
D2823	307 254 2914	ZENER DIODE 02DZ6.8Y(TPH3)	CAPACITOR		
MISCELLANEOUS			C6891	303 367 0410	CERAMIC 0.1U K 50V
AU2802	945 083 3800	UNIT,REMOCON RECEIVER	RESISTOR		
IC2821	307 223 7315	PC TLP421F(D4-GB-TP4)	R6891	301 150 6014	MT-GLAZE 0.000 ZA 1/10W
K11A	945 062 3524	SOCKET,D-SUB 15P	R6892	301 150 6014	MT-GLAZE 0.000 ZA 1/10W
K11B	945 078 7998	SOCKET,DVI 24P	R6893	301 150 6014	MT-GLAZE 0.000 ZA 1/10W
K12A	945 036 5202	SOCKET,BNC 5P	R6894	301 150 6014	MT-GLAZE 0.000 ZA 1/10W
K13A	645 092 4200	TERMINAL,BOARD	R6895	301 150 6014	MT-GLAZE 0.000 ZA 1/10W
K14A	945 062 3524	SOCKET,D-SUB 15P	R6896	301 150 6014	MT-GLAZE 0.000 ZA 1/10W
K16A	945 000 2572	JACK,PHONE D8.0	DIODE		
K17A	945 000 2572	JACK,PHONE D8.0	D6881	407 263 8218	LED SML022BUT T86
K18A	945 000 2572	JACK,PHONE D8.0	D6882	307 203 7915	LED SML-210MT T86 M
K28D	945 017 1681	JACK,PHONE D3.6	D6883	307 203 7816	LED SML-210LT T86 M
K38A	945 027 8779	PLUG,D-SUB 9P			
K38B	945 028 0383	SOCKET,USB 4P			
SC1001	945 076 3503	SURGE-ABSORBER			
SC1002	945 076 3503	SURGE-ABSORBER			
SC1003	945 076 3503	SURGE-ABSORBER			

Electrical Parts List

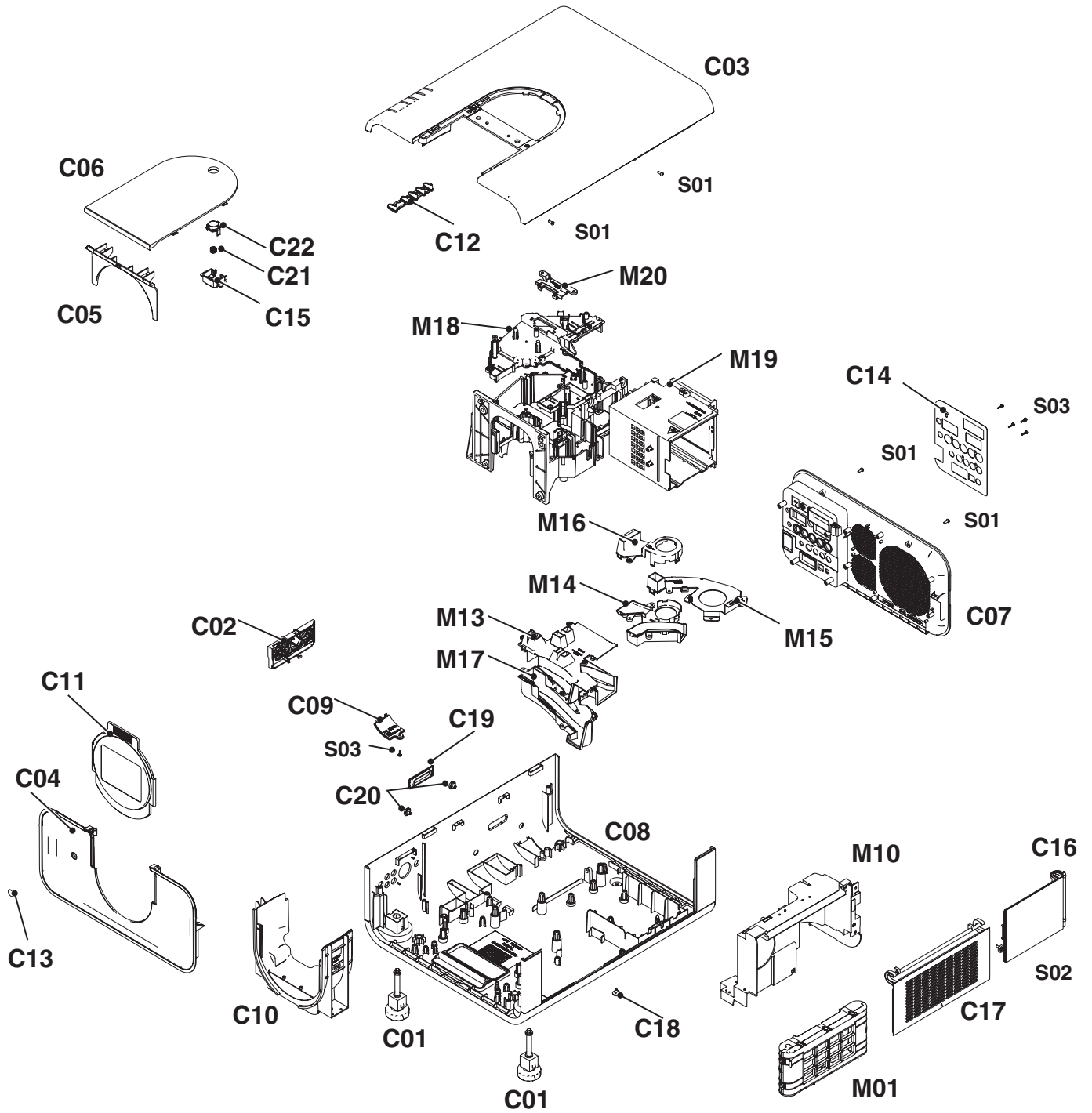
Key No.	Part No.	Description	Key No.	Part No.	Description
D6884	307 209 7513	LED SML-210YT T86 L			
D6885	307 209 7513	LED SML-210YT T86 L			
D6892	307 223 0514	ZENER DIODE 02DZ12Y(TPH3)			
610 339 9676 ASSY,PWB,FILTER SW KR7AL					
SW1891	945 063 5176	SWITCH,PUSH 2P-2TX3			
PACKING MATERIALS					
	610 343 3080	CARTON CASE-KR7AL			
	610 331 3016	CASE ACCESSORY-MZ7A			
	610 335 0479	CUSHION SPACER-MZ7A			
	610 334 9275	CUSHION L-KC3A			
	610 334 9374	CUSHION R-KC3A			
	645 096 4015	POLY BAG-0750X0600*NC*R8P			
ACCESSORIES					
OWNER'S MANUAL					
	610 340 9962	SETUP INST MANUAL-KR7AL			
	610 341 0159	CD-ROM,OWNERS MANUAL-KR7AL			
REMOTE CONTROL					
	645 097 4069	ASSY,REMOCON CXZH			
	610 335 0530	RC-BATTERY LID-CXWP			
⚠ AC CORD					
US	945 064 6363	CORD,POWER-3.0MK,US			
EU	945 054 1156	CORD,POWER-3.0MK			
UK	945 054 1149	CORD,POWER-3.138MK			
MISCELLANEOUS					
	610 339 2950	ASSY,COVER LENS GH-KC3AL			
	610 331 7601	ASSY,MOUNTING LENS W-MR3A			
	910 301 6659	ASSY,SPACER BF-MY8A			
	945 063 6937	CABLE,USB			
	945 063 6944	CABLE,USB			
	945 073 4855	CABLE,INTERFACE VGA			
	645 093 1642	CABLE,INTERFACE VGA			
	645 095 9431	CABLE,SRAL			

Electrical Parts List

Key No. Part No.	Description	Key No. Part No.	Description

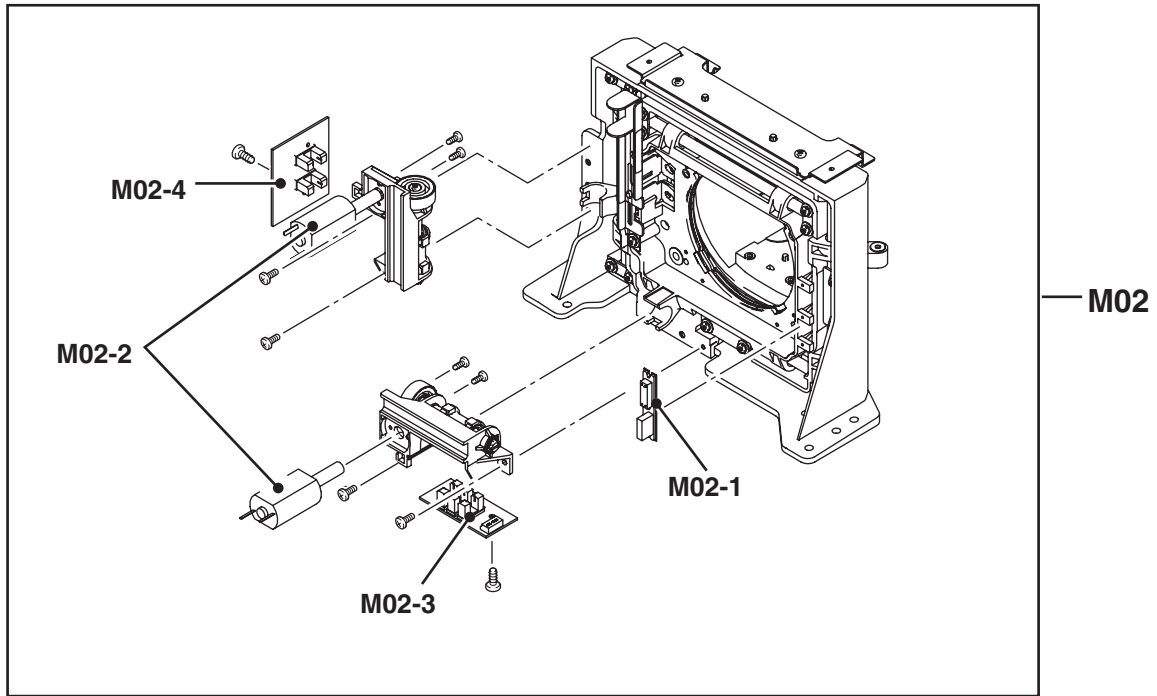
Mechanical Parts List

Cabinet Parts Location

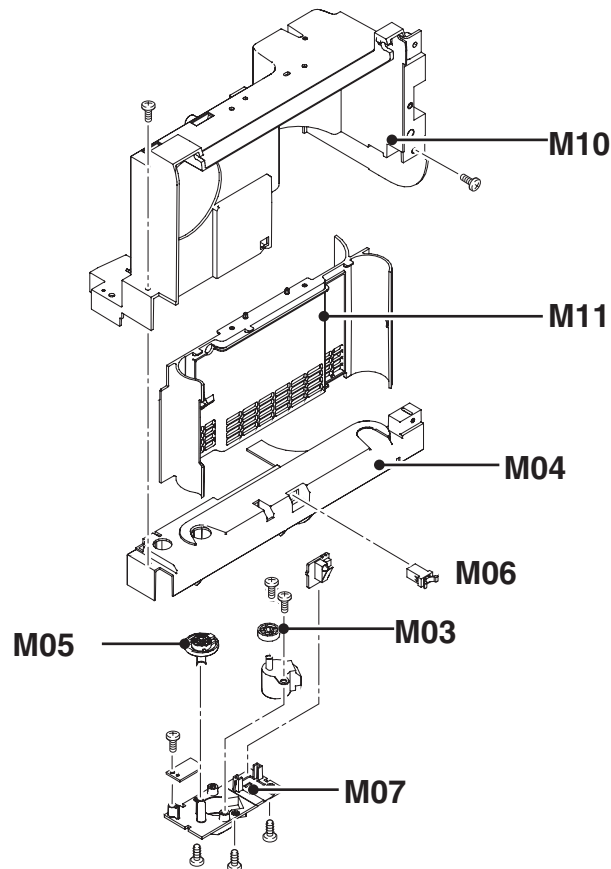


Mechanical Parts List

Lens Shift Assembly

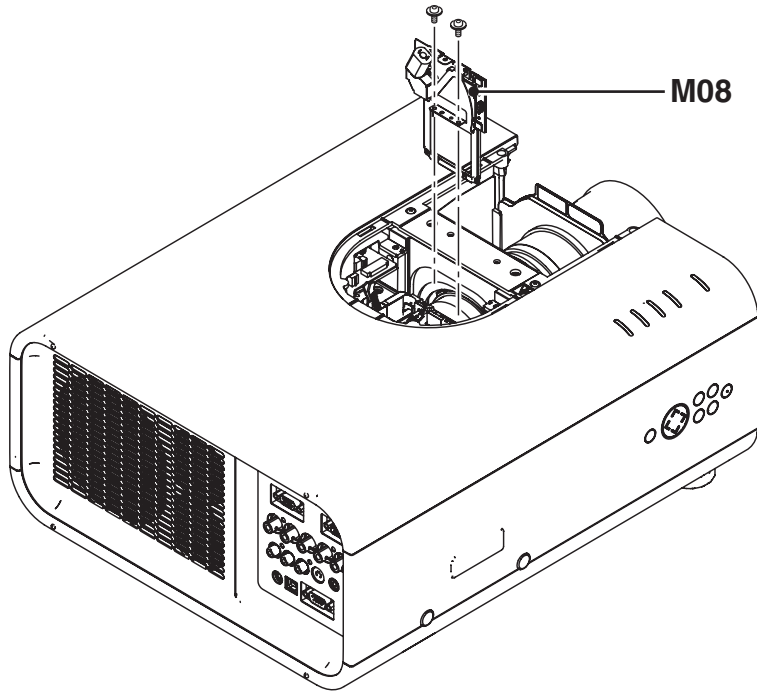


Filter Holder Assembly



Mechanical Parts List

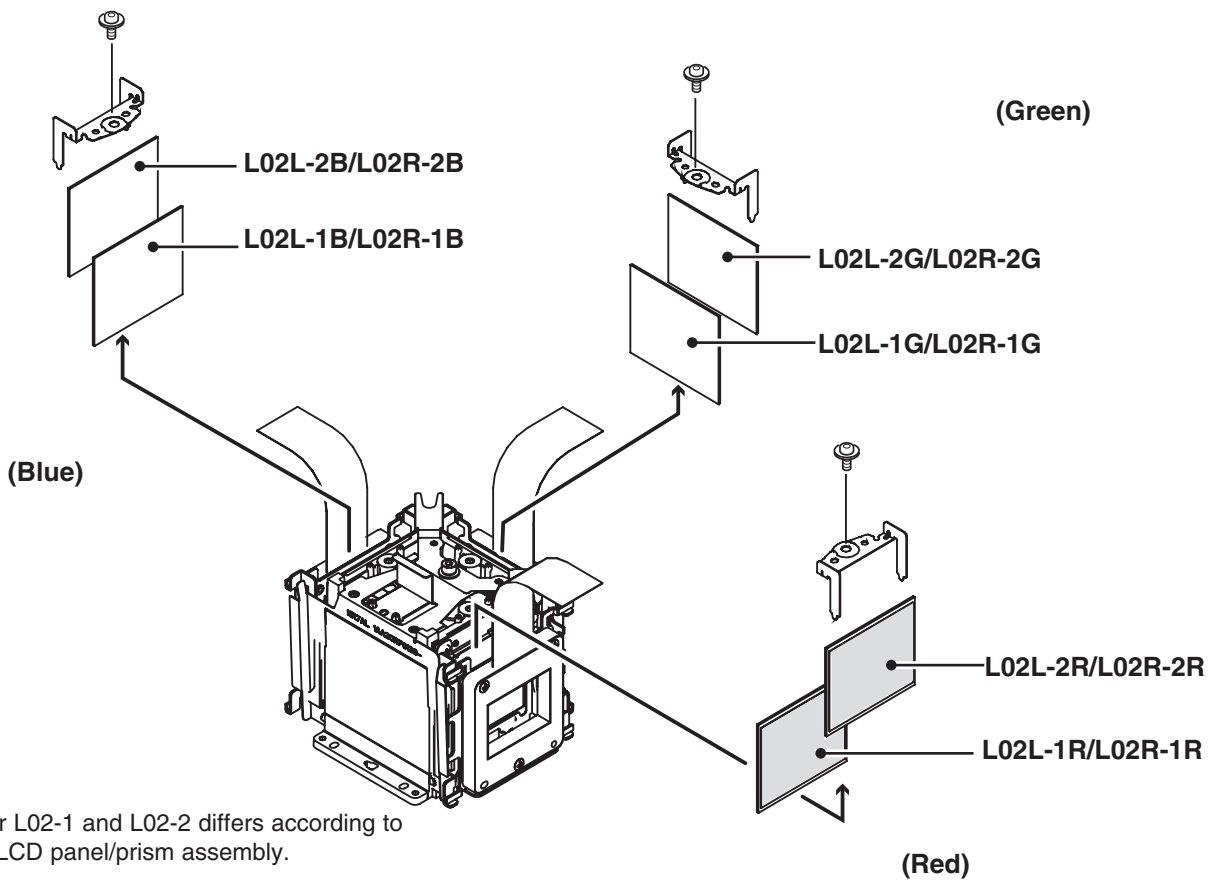
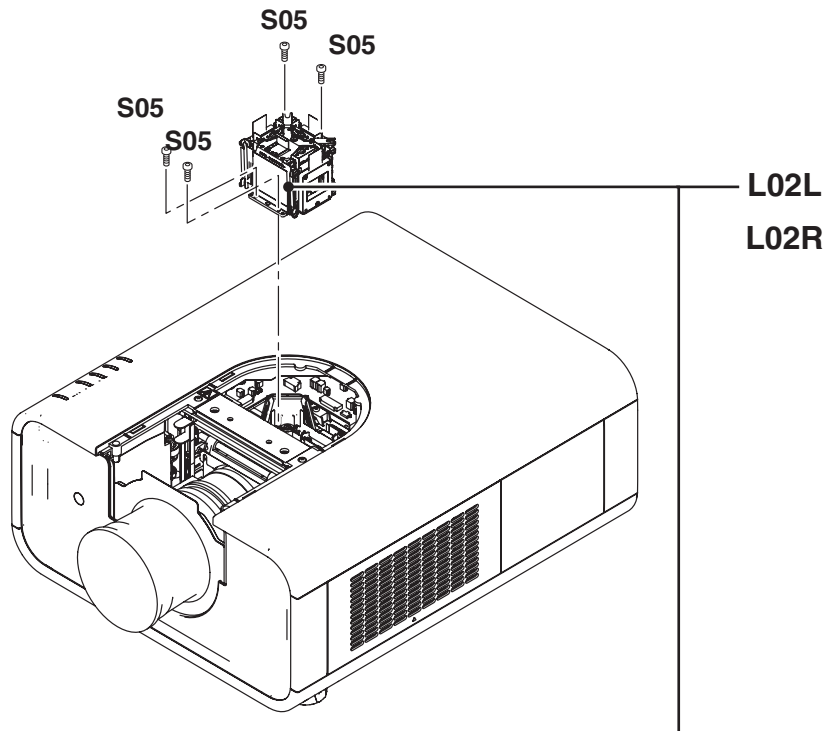
Shutter assembly



Mechanical Parts List

Panel/Prism Assembly

Refer to the chapter of optical disassembly for the mounting direction of each part.

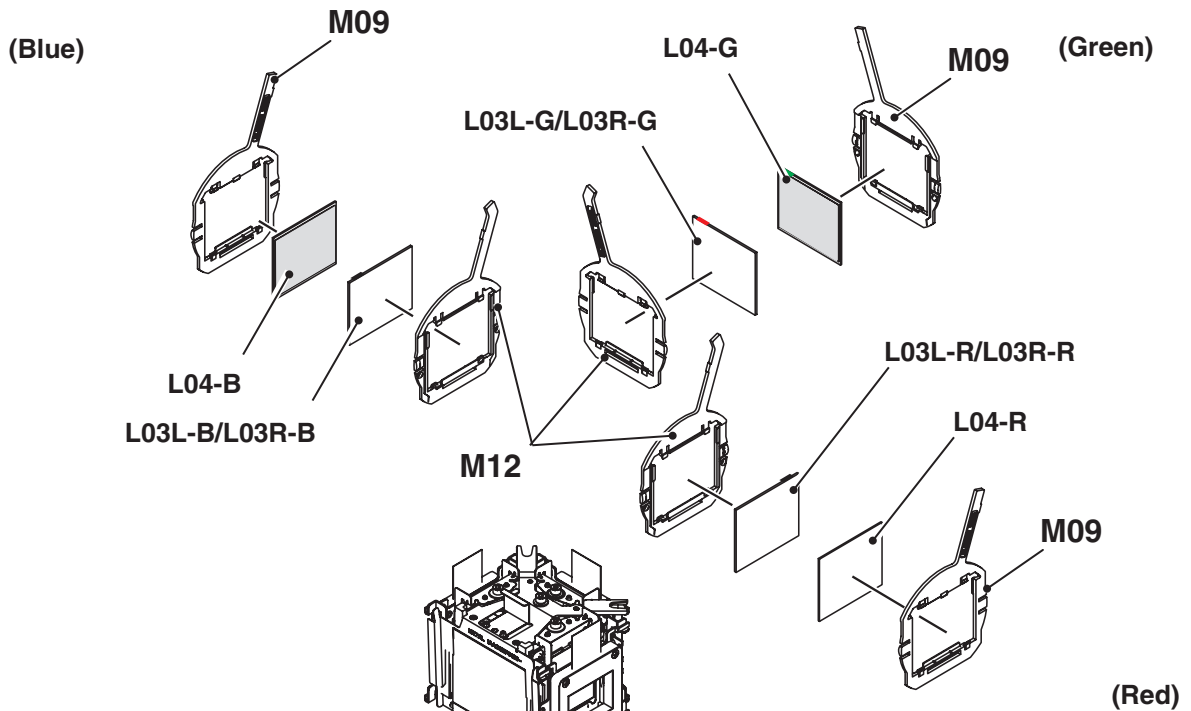
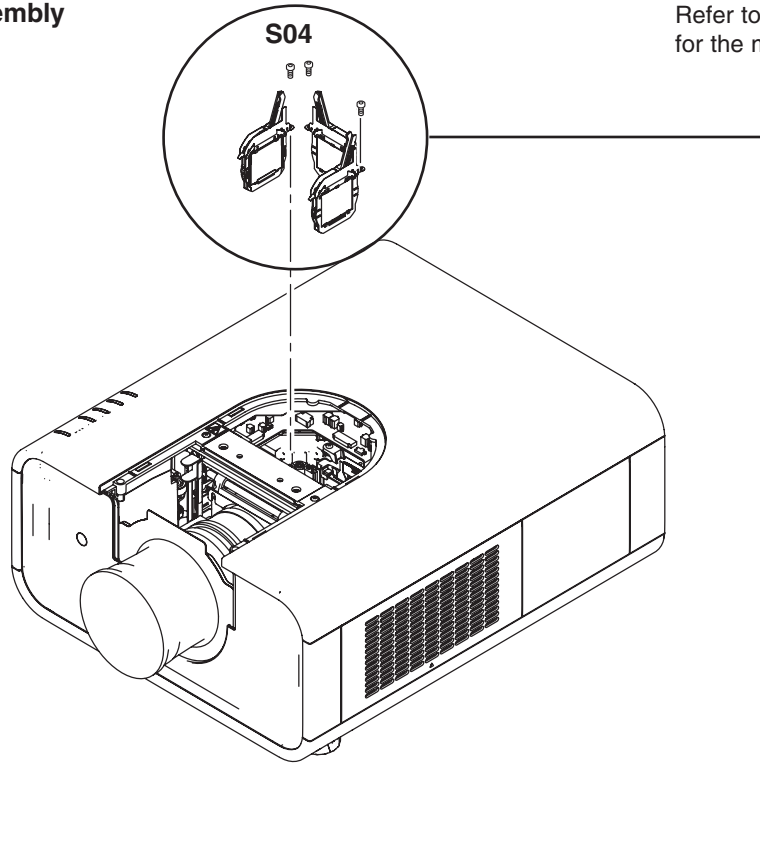


Note:
Parts for L02-1 and L02-2 differs according to type of LCD panel/prism assembly.

Mechanical Parts List

Polarized-In Assembly

Refer to the chapter of optical disassembly for the mounting direction of each part.



Note:
Parts for L03 differs according to type of LCD panel/prism assembly.

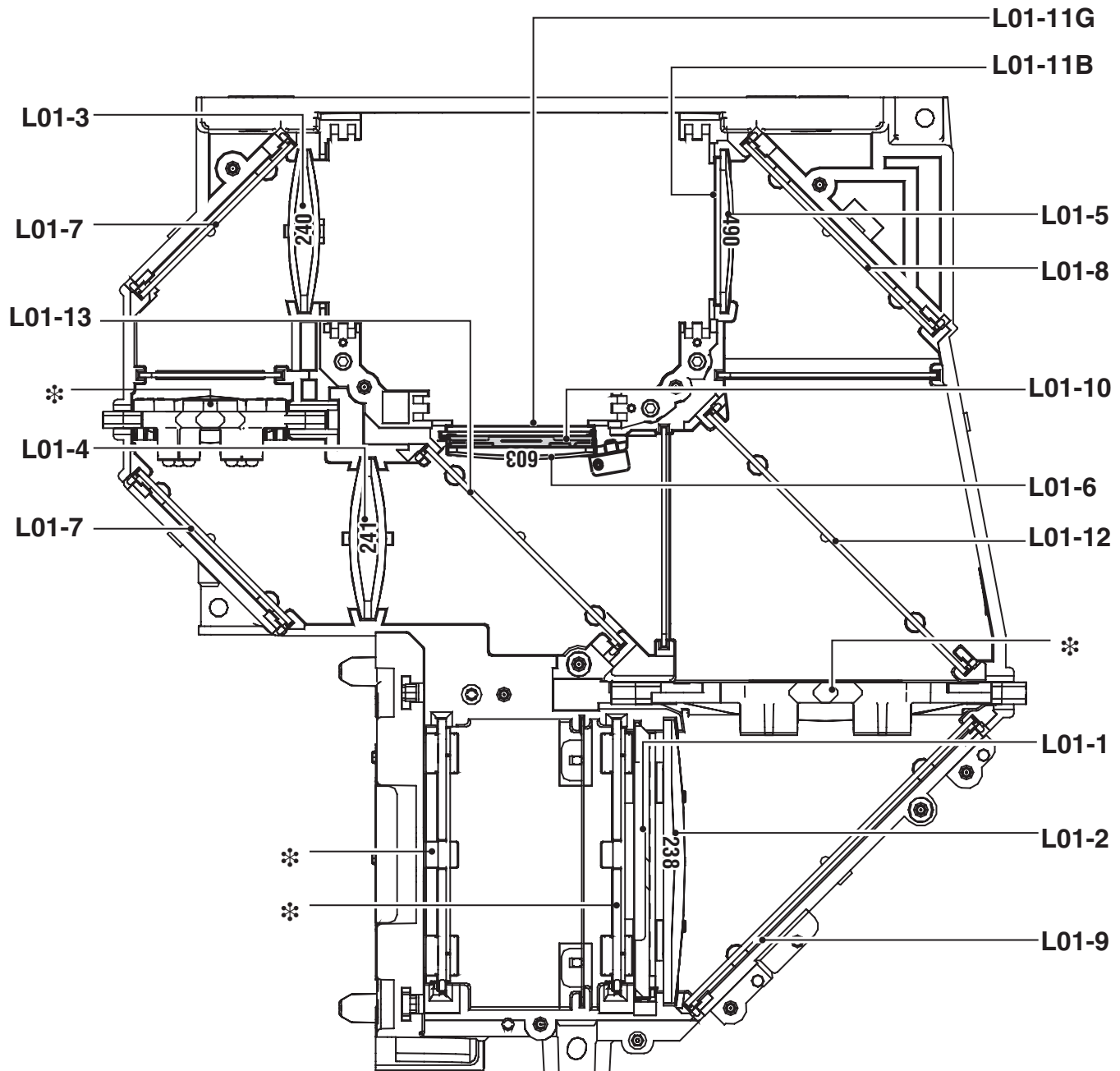
TYPE-L

Mechanical Parts List

In the Optical Unit

Refer to the chapter of optical disassembly
for the mounting direction of each part.

L01



Note:

The parts indicated with (*) are fixed with the adhesive onto the optical base bottom, so these parts are not the replaceable parts.

Mechanical Parts List

Mechanical Parts List

Note: Parts order must contain Chassis No., Part No., and Descriptions.

Key No. Part No.	Description	Key No. Part No.	Description
CABINET PARTS		L01-3	945 047 2870 LENS,CONDENSER(R)
C01	610 335 5092 COMPL,STAND LEG-KC3BL	L01-4	945 047 2887 LENS,RELAY(IN)
C02	610 340 4158 BUTTON CONT-KR7AL	L01-5	945 085 7844 LENS,CONDENSER (B)
C03	610 340 6947 CABINET TOP-KR7AL	L01-6	645 097 3109 LENS,CONDENSER (G)
C04	610 334 1347 CABINET FRONT-KC3A	L01-7	945 044 2576 MIRROR(R)
C05	610 334 1422 CABINET FRONT COVER F-KC3A	L01-8	945 047 7516 MIRROR(B)
C06	610 340 6954 CABINET FRONT COVER T-KR7AL	L01-9	945 086 2992 MIRROR(W-COLD)
C07	610 340 4141 CABINET BACK-KR7AL	L01-10	645 097 1808 OPTICAL FILTER(LC-CS)
C08	610 340 7166 CABINET BOTTOM-KR7AL	L01-11B	645 093 0027 POLARIZED GLASS(IN/GB)
C09	610 340 6992 COVER FUSE-KR7AL	L01-11G	645 093 0027 POLARIZED GLASS(IN/GB)
C10	610 340 6961 COVER HANDLE-KR7AL	L01-12	945 047 2924 DICHROIC MIRROR (B)
C11	610 334 2054 COVER NON LENS-KC3AL	L01-13	645 098 9360 DICHROIC MIRROR (G)
C12	610 334 3303 DEC INLAY LED-KC3A	Type-L LCD Panel/Prism Ass'y	
C13	910 302 5613 DEC SHEET-M4JA	L02L	610 341 2962 ASSY,PNL/PSM L-KR7AL
C14	610 340 4967 DEC AV SHEET-KR7AL	(Including Key No. L02L-1, L02L-2 and LCD Panels)	
C15	610 334 2139 HOLDER STOPPER-KC3A	L02L-1R	645 098 1746 POLARIZED GLASS(OUT/R)
C16	610 340 6978 PANEL LMP-KR7AL	L02L-1G	645 098 1753 POLARIZED GLASS(OUT/G)
C17	610 340 6985 PANEL FILTER-KR7AL	L02L-1B	645 098 1760 POLARIZED GLASS(OUT/B)
C18	910 293 9973 SPACER LEG-MA8A	L02L-2R	645 093 0010 PREPOLARIZED GLASS(R)
C19	910 298 8575 SPACER COVER NWMG-MA8BA	L02L-2G	645 093 0546 PREPOLARIZED GLASS(G)
C20	910 298 8582 SPACER COVER SCREW NWMG-MA8BA	L02L-2B	645 093 0560 PREPOLARIZED GLASS(B)
C21	610 334 2023 SPRING STOPPER-KC3A	L03L-R	645 092 7355 OPTICAL FILTER (HCP)R
C22	610 341 1903 STOPPER COVER TOP-KR7AL	L03L-G	645 092 7362 OPTICAL FILTER (HCP)L
CHASSIS PARTS		L03L-B	645 092 7355 OPTICAL FILTER (HCP)R
M01	610 334 3747 ASSY,BOX FILTER-KC3A	Type-R LCD Panel/Prism Ass'y	
M02	610 334 3501 COMPL,HOLDER LNS SHIFT-KC3A	L02R	610 341 2979 ASSY,PNL/PSM R-KR7AL
(Including Key No. M02-1 to M02-4)		(Including Key No. L02R-1, L02R-2 and LCD Panels)	
M02-1	910 306 6630 ASSY,PWB,LENS-BASE NET MR3A	L02R-1R	645 098 1746 POLARIZED GLASS(OUT/R)
M02-2	610 334 3891 ASSY,HOLDER MTR LNS-KC3A	L02R-1G	645 098 1753 POLARIZED GLASS(OUT/G)
M02-3	645 092 6600 UNIT,LENS,SHIFT-X	L02R-1B	645 098 1760 POLARIZED GLASS(OUT/B)
M02-4	645 092 6617 UNIT,LENS,SHIFT-Y	L02R-2R	645 093 0010 PREPOLARIZED GLASS(R)
M03	610 334 3549 GEAR MOTOR-KC3A	L02R-2G	645 093 0546 PREPOLARIZED GLASS(G)
M04	610 334 3112 HOLDER FILTER BASE-KC3A	L02R-2B	645 093 0560 PREPOLARIZED GLASS(B)
M05	610 336 9921 COMP,HOLDER SHAFT FILTER-KC3A	L03R-R	645 092 7362 OPTICAL FILTER (HCP)L
M06	910 313 6678 LATCH-P8FK	L03R-G	645 092 7355 OPTICAL FILTER (HCP)R
M07	610 334 4300 MTG HLD SHAFT FIL-KC3A	L03R-B	645 092 7362 OPTICAL FILTER (HCP)L
M08	610 340 5469 COMPL,MOUNTING SHUTTER-KR7AL	Common	
M09	610 334 3051 HOLDER POL IN A-KC3A	L04-R	645 098 1739 POLARIZED GLASS(IN/R)
M10	610 334 2849 HOLDER FILTER COVER-KC3A	L04-G	645 093 0034 POLARIZED GLASS(IN/G)
M11	610 334 2771 HOLDER FILTER-KC3A	L04-B	645 093 0041 POLARIZED GLASS(IN/B)
M12	610 341 1484 HOLDER POL IN A-KR7AL	* There are 2 types (Type-L or Type-R) of LCD Panel/Prism Ass'y. Used type is indicated on the Prism Ass'y and Optical unit top. Refer to item "LCD Panel/Prism Ass'y Removal" for further information.	
M13	610 340 4936 MTG DUCT TOP LCD-KR7AL		
M14	610 340 4929 MTG DUCT BTM LMP-KR7AL		
M15	610 340 4943 MTG DUCT TOP LMP-KR7AL		
M16	610 340 4950 MTG DUCT PBS-KR7AL		
M17	610 340 9733 MTG DUCT BTM LCD-KR7AL		
M18	610 341 1637 OPTICAL BASE TOP-KR7AL		
M19	610 334 1484 OPTICAL LMP COVER UV-KC3A		
M20	610 341 4935 ASSY,COVER YE-KR7AL		
SCREWS			
S01	411 189 8600 SCR BIN 3X8		
S02	312 069 8300 SPECIAL SCREW W		
S03	411 189 7207 SCR S-TPG BIN 3X8		
S04	411 189 6606 BOLT HEX-SCT 2.5X6		
S05	312 074 7107 SPECIAL SCREW V		
OPTICAL PARTS			
L01	610 341 1996 COMPL,OPTICAL-KR7AL		
(Including Key No. L01-1 to L01-13)			
L01-1	945 041 3712 ASSY,PRISM(PBS)		
	945 051 9421 ASSY,PRISM(PBS)		
L01-2	945 047 2856 LENS,CONDENSER(IN)		



Diagrams & Drawings

Schematic Diagrams Printed Wiring Board Drawings

Model	Chassis No.
PLC-XP200L	KR7-XP200L00

These schematic diagrams and printed wiring board drawings are part of the service manual original for chassis No. KR7-XP200L00 model PLC-XP200L. File with the service manual No. SM5111003-00

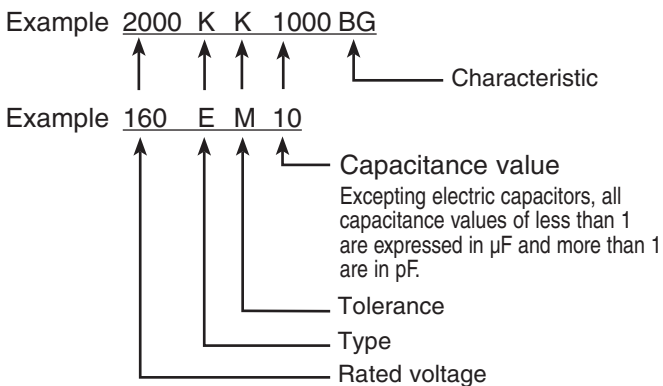
Note:

All the information of part numbers and values indicated on these diagrams are at the beginning of production. To improve the performance, there may be some differences to the actual set. When you order the service parts, use service parts code mentioned on the parts list in this service manual.

Parts description and reading in schematic diagram

1. The parts specification of resistors, capacitors and coils are expressed in designated code. Please check the parts description by the following code table.
2. Some of transistors and diodes are indicated in mark for the substitution of parts name. Please check the parts name by the following code table.
3. Voltages and waveforms were taken with a video color bar signal (1Vp-p at 75 ohms terminated) and controls to normal.
4. Voltages were taken with a high-impedance digital voltmeter.

Capacitor Reading



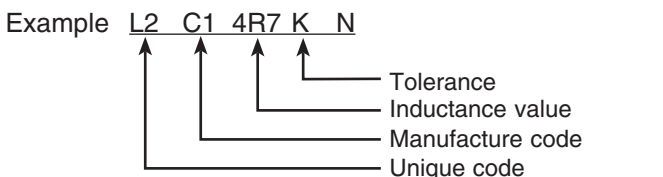
Material table

Mark	Material
E	Electrolytic
P	Electrolytic (non-polarized)
C	Ceramic (temperature compensation)
K	Ceramic
F	Polyester
N	Polypropylene
M	Metalized polypropylene
H	Metalized polypropylar
B	Ceramic (semiconductor)
G	Metalized polyester
Y	Composite film
S	Styrol
T	Tantalum oxide solid electrolytic
U	Organic semiconductive electrolyte
D	Electric double layer electrolytic

Tolerance table

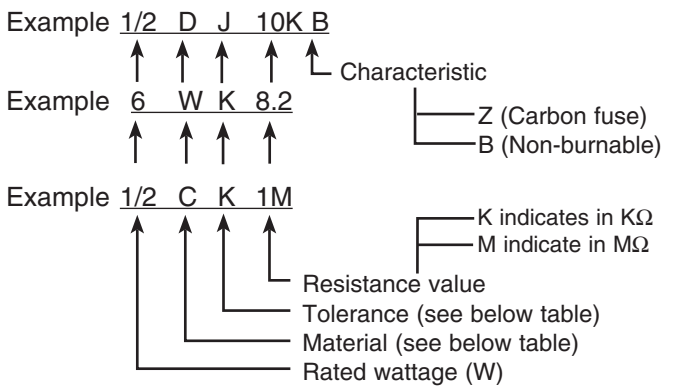
Mark	Tolerance
A	not specified
B	±0.1
C	±0.25
D	±0.5
F	±1
G	±2
E	±2.5
H	±3
J	±5
K	±10
M	±20
N	±30
P	+100 -0
Q	+30 -10
T	+50 -10
U	+75 -10
V	+20 -10
W	+100 -10
X	+40 -20
Y	+150 -10
Z	+80 -20

Coil Reading



Mark	Tolerance (nH)	Mark	Tolerance (%)
C	±0.25	G	±2
D	±0.5	J	±5
S	±0.3	K	±10
A	±0.2	L	±15
		M	±20

Resistor Reading



Note: Resistor which is indicated with resistance value only are 1/6W carbon resistor. Resistor which is indicated with material, tolerance and value are 1/4W rated wattage.

Material table

Mark	Material
D	Carbon
N	Metal film
S	Oxide metal film
C	Solid
G	Metal glaze
W	Wire winding or cement
H	Ceramic
F	Fusible

Tolerance table

Mark	Tolerance
A	±0.05
B	±0.1
C	±0.25
D	±0.5
F	±1
G	±2
J	±5
K	±10
M	±20
P	+5 -15
Z	used in 0 ohm

Diode/Transistor Type Reading

Diode

Mark	Type number
R	1S2076A,1S2473,1N4148
AA	1S2076A,1S2473,1SS133,1N4148

Transistor (1) NPN type

Mark	Type number			
--	2SC536	2SC945A	2SC1815	2SC1740S
AD	NF, NG	PA, QA	Y, GR	Q, R, S
AE	NF, NG	PA, QA, RA	O, Y, GR	Q, R, S

(2) PNP type

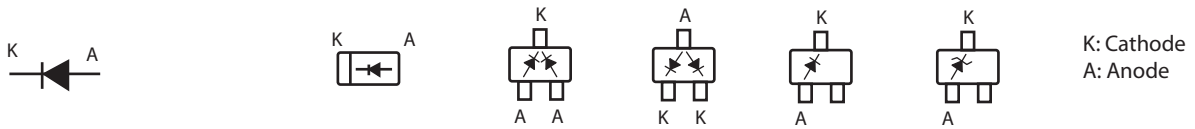
Mark	Type number			
--	2SA608	2SA564A	2SA1015	2SA933S
AB	NF	R	Y, GR	R
AC	NF	Q, R	O, Y, GR	Q, R

(3) Chip type

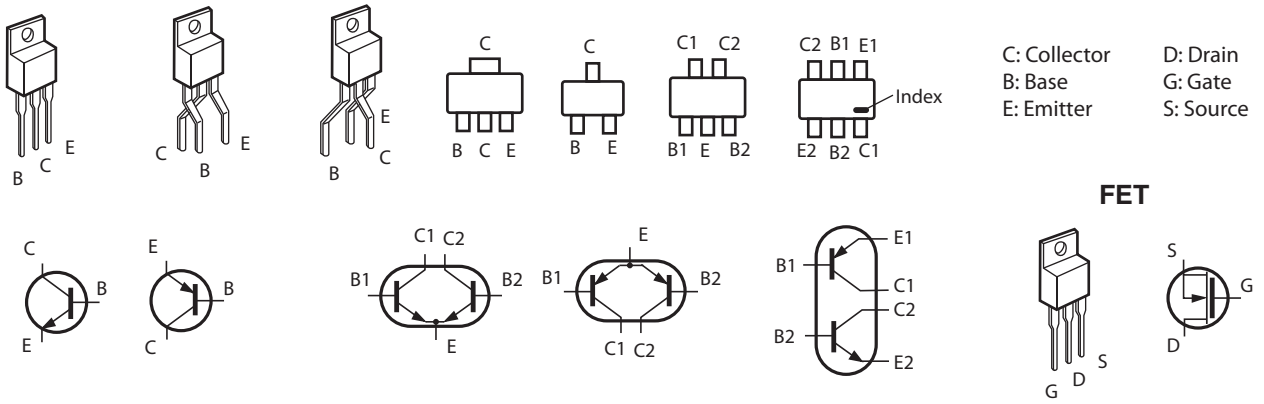
Mark	Type number				
--	2SA1179N	2SA1037K	2SA1037AK	2SC2812/N	2SC2412K
AJ	M6, M7	R, S	R, S		
AH				L6, L7	R, S

Pin description of diode, transistor and IC

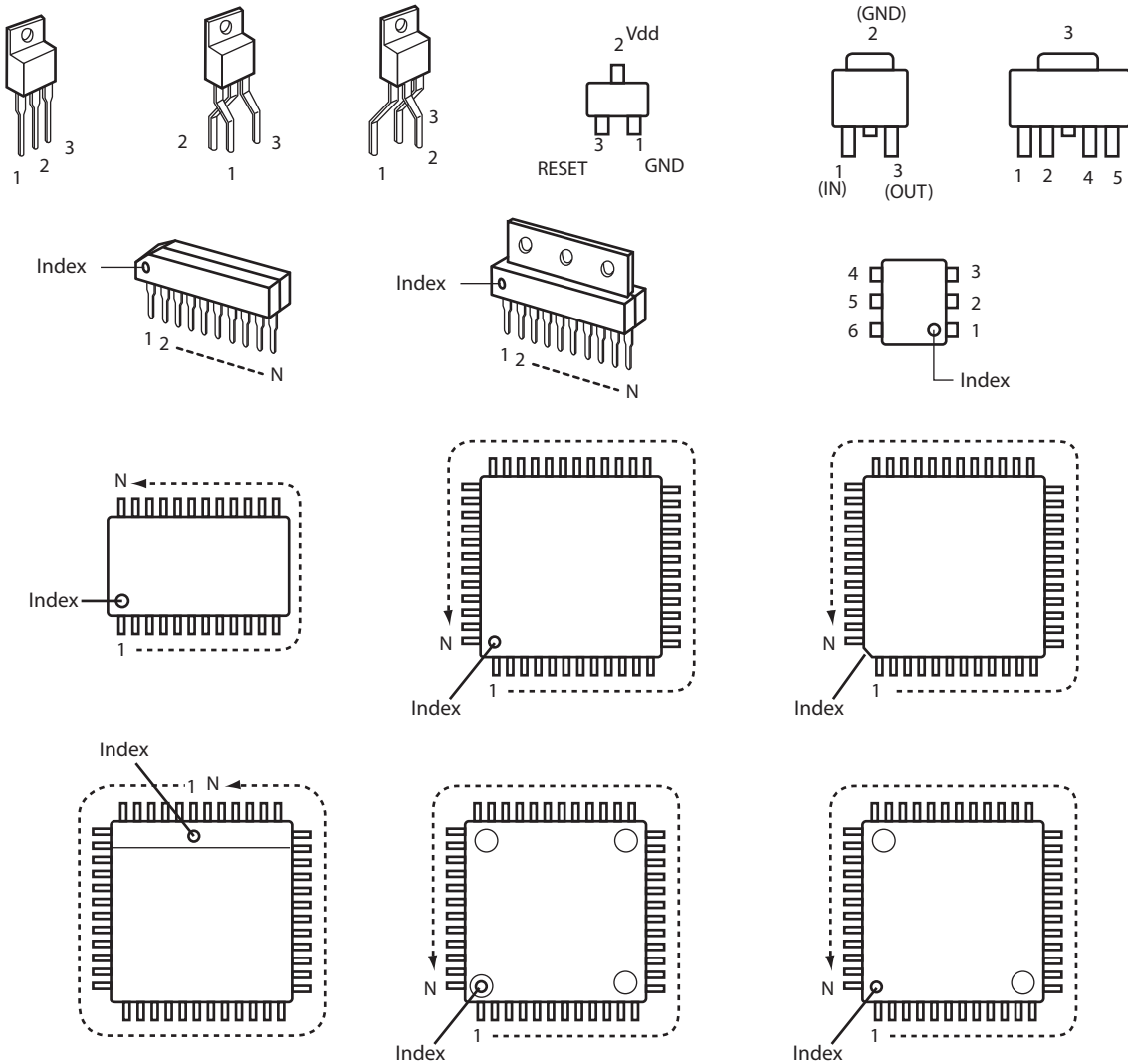
● Diode



● Transistor/FET



● IC



Note on Soldering

Do not use solder containing lead.

This product has been manufactured using lead-free solder in order to help preserve the environment.

Because of this, be sure to use lead-free solder when carrying out repair work, and never use solder containing lead.

Lead-free solder has a melting point that is 30–40 °C (86–104 °F) higher than solder containing lead, and moreover it does not contain lead which attaches easily to other metals. As a result, it does not melt as easily as solder containing lead, and soldering will be more difficult even if the temperature of the soldering iron is increased.

The extra difficulty in soldering means that soldering time will increase and damage to the components or the circuit board may easily occur.

Because of this, you should use a soldering iron and solder that satisfy the following conditions when carrying out repair work. Also, soldering work must be done in a short time.

Soldering iron

Use a soldering iron which is 70 W or equivalent, and which lets you adjust the tip temperature up to 450 °C (842 °F) It should also have as good temperature recovery characteristics as possible.

Solder

Use solder with the metal content and composition ratio by weight given in the table below. Do not use solders which do not meet these conditions.

Metal content	Tin (Sn)	Silver (Ag)	Copper (Cu)
Composition ratio by weight	96.5 %	3.0 %	0.5 %

Note:

If replacing existing solder containing lead with lead-free solder in the soldered parts of products that have been manufactured up until now, remove all of the existing solder at those parts before applying the lead-free solder.

Schematic Diagrams

HOT **COLD**

CAUTION
Fuse of the specified parts number must be used.
Unauthorized substitutions may result in fire or accident.

POWER
A902

LAMP BALLAST
A901

LED

R/C FRONT

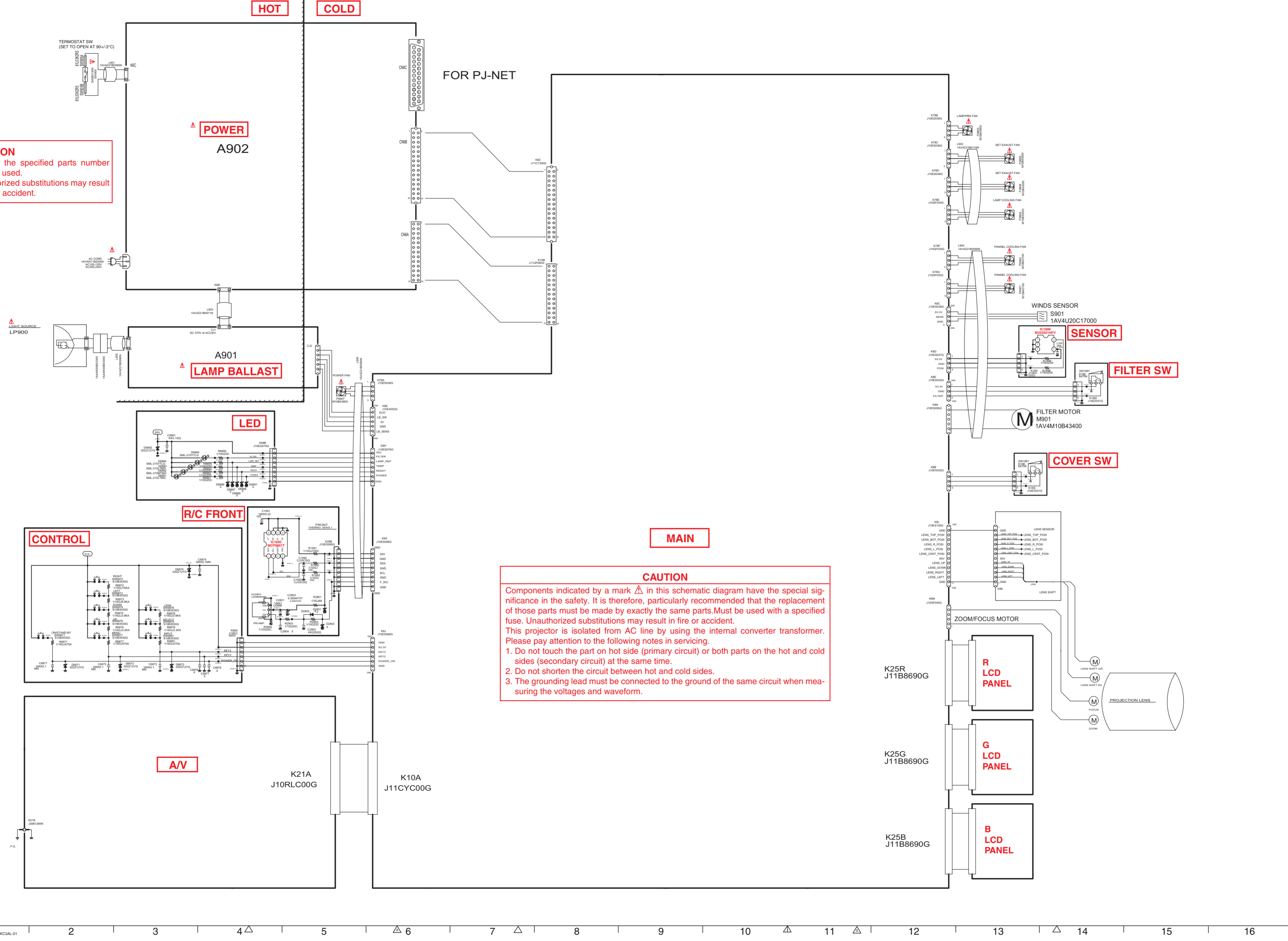
CONTROL

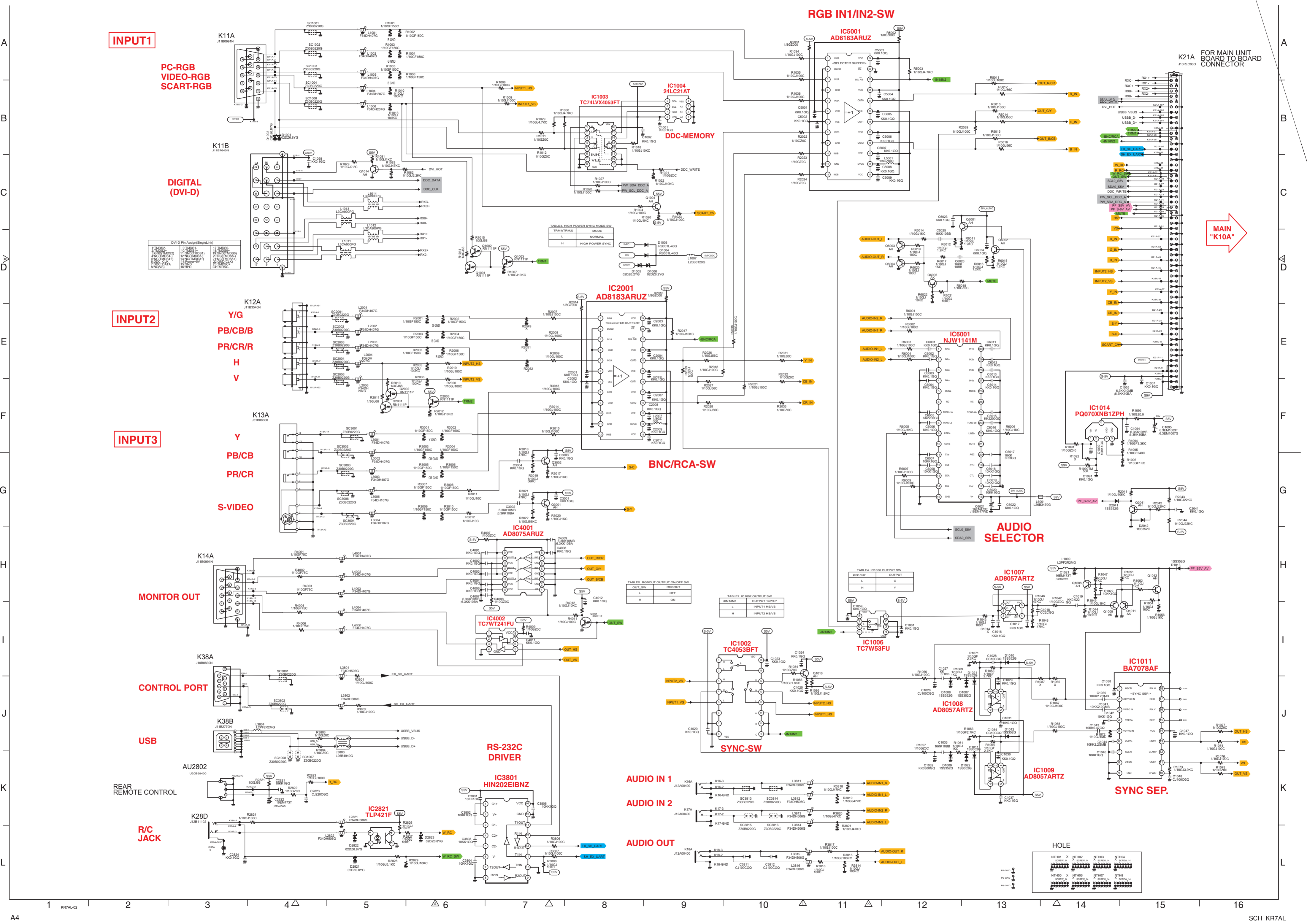
A/V

FOR PJ-NET

MAIN

CAUTION
Components indicated by a mark \triangle in this schematic diagram have the special significance in the safety. It is therefore, particularly recommended that the replacement of those parts must be made by exactly the same parts. Must be used with a specified fuse. Unauthorized substitutions may result in fire or accident.
This projector is isolated from AC line by using the internal converter transformer. Please pay attention to the following notes in servicing.
1. Do not touch the part on hot side (primary circuit) or both parts on the hot and cold sides (secondary circuit) at the same time.
2. Do not shorten the circuit between hot and cold sides.
3. The grounding lead must be connected to the ground of the same circuit when measuring the voltages and waveform.





INPUT1

PC-RGB
VIDEO-RGB
SCART-RGB

DIGITAL
(DVI-D)

DVI-D Pin Assign (Single Link)

1	TMDS0+	2	TMDS0-	3	TMDS1+	4	TMDS1-
5	TMDS2+	6	TMDS2-	7	TMDS3+	8	TMDS3-
9	NC	10	NC	11	NC	12	NC
13	NC	14	NC	15	NC	16	NC
17	DATA0+	18	DATA0-	19	DATA1+	20	DATA1-
21	DATA2+	22	DATA2-	23	DATA3+	24	DATA3-
25	NC	26	NC	27	NC	28	NC
29	NC	30	NC	31	NC	32	NC

INPUT2

Y/G
PB/CB/B
PR/CR/R
H
V

INPUT3

Y
PB/CB
PR/CR
S-VIDEO

MONITOR OUT

CONTROL PORT

USB

REAR REMOTE CONTROL

R/C JACK

RGB IN1/IN2-SW

IC5001
AD8183ARUZ

IC1003
TC74LVX4053FT

IC1004
24LC21AT

DDC-MEMORY

TABLE 3. HIGH POWER SYNC MODE SW

MODE	SW
L	NORMAL
H	HIGH POWER SYNC

IC2001
AD8183ARUZ

BNC/RCA-SW

IC4001
AD8075ARUZ

IC4002
TC7WT241FU

TABLE 4. RGBOUT OUTPUT ON/OFF SW

RGBOUT	OUTPUT
L	OFF
H	ON

TABLE 5. IC1002 OUTPUT SW

INPUT1 HSVS	INPUT2 HSVS
L	INPUT1 HSVS
H	INPUT2 HSVS

IC1002
TC4053BFT

IC1006
TC7W53FU

AUDIO IN 1

AUDIO IN 2

AUDIO OUT

AUDIO SELECTOR

IC1007
AD8057ARTZ

IC1008
AD8057ARTZ

IC1009
AD8057ARTZ

IC1011
BA7078AF

SYNC SEP.

IC3801
HIN202EIBNZ

IC2821
TLP421F

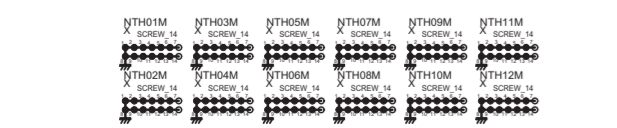
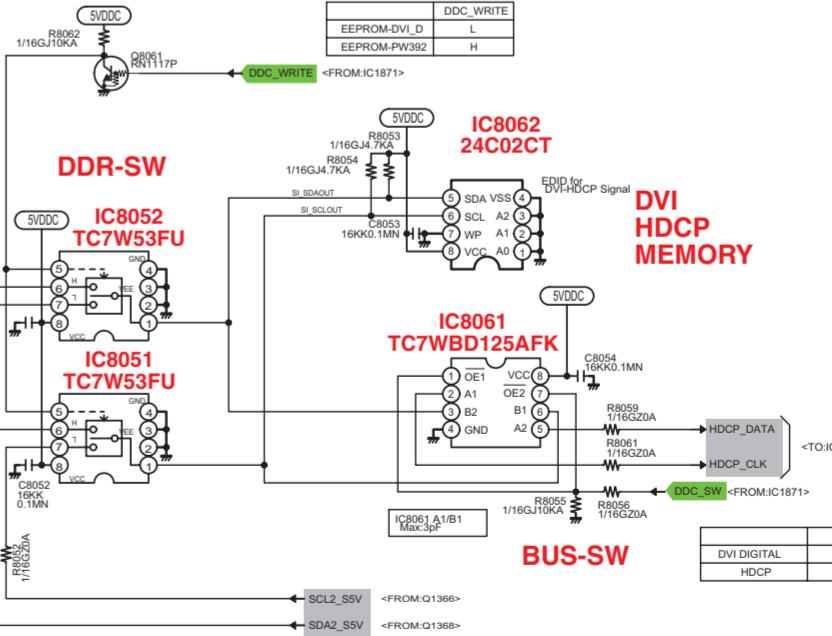
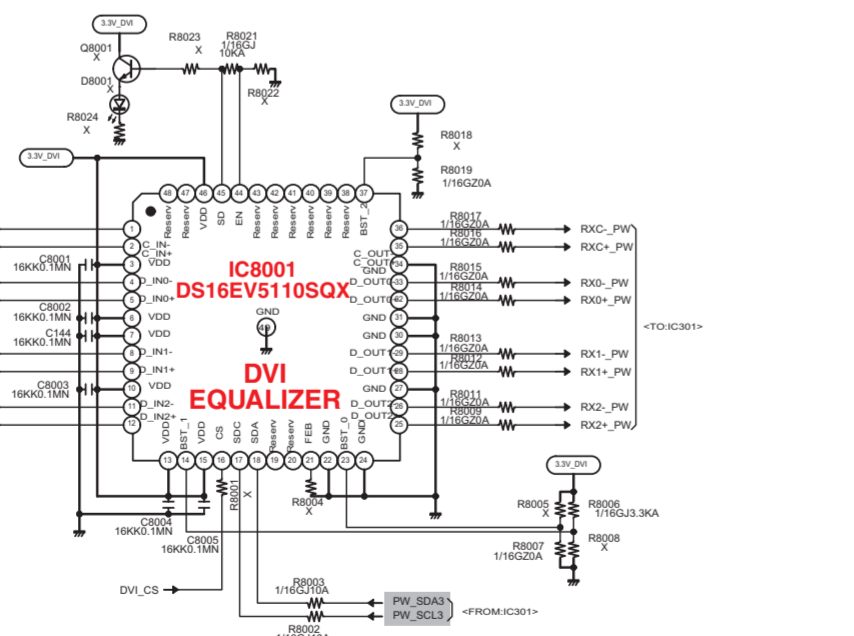
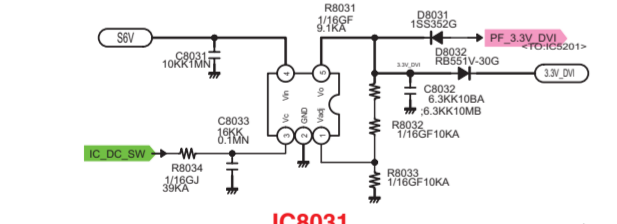
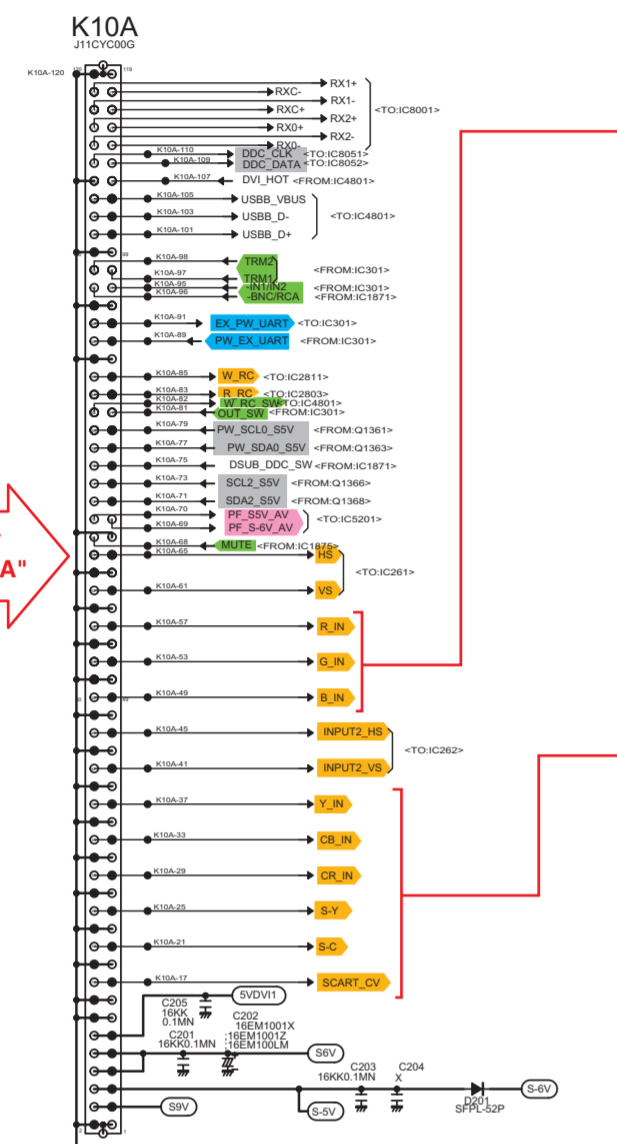
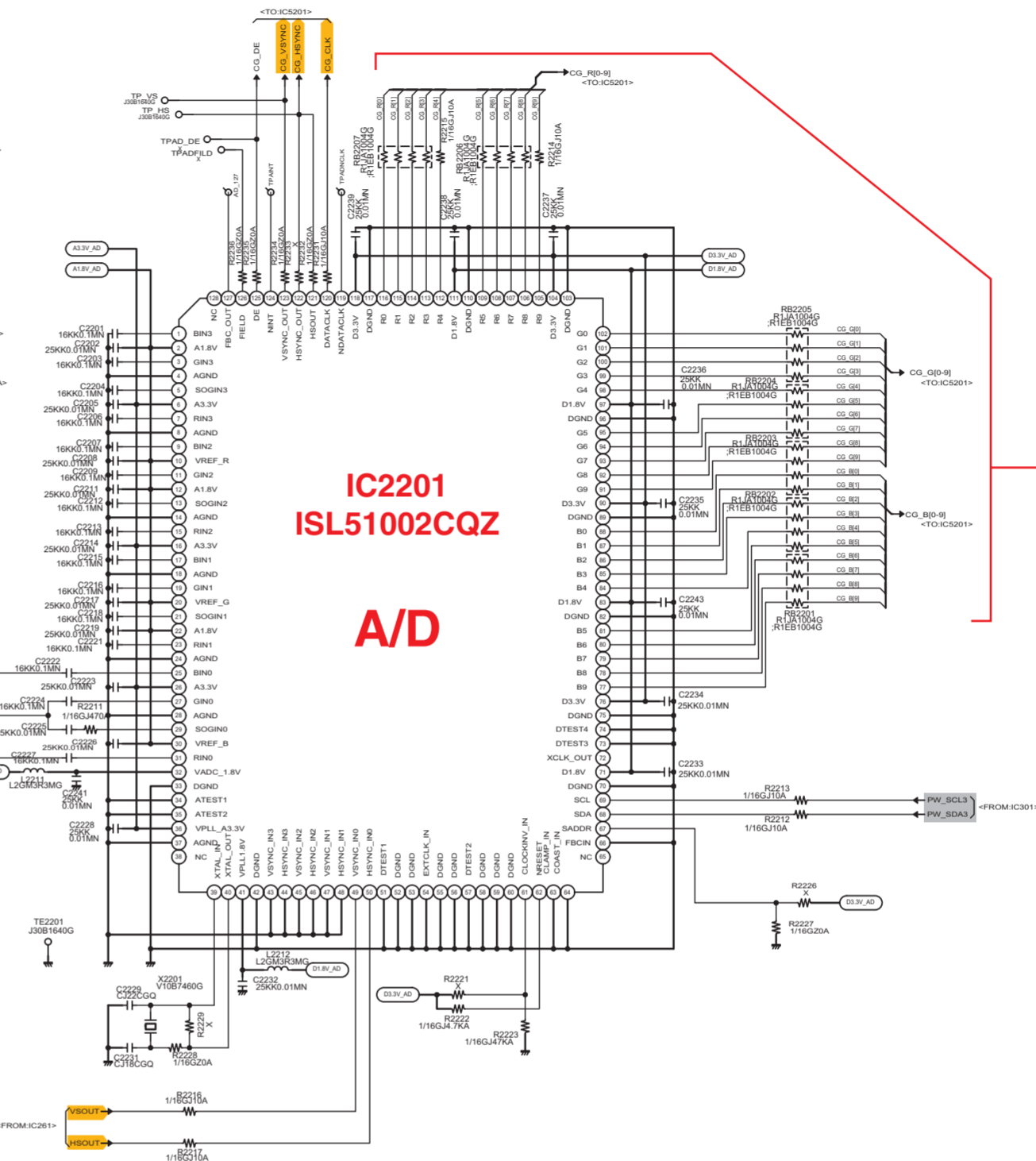
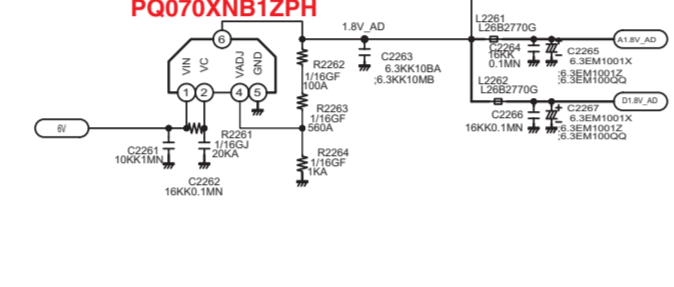
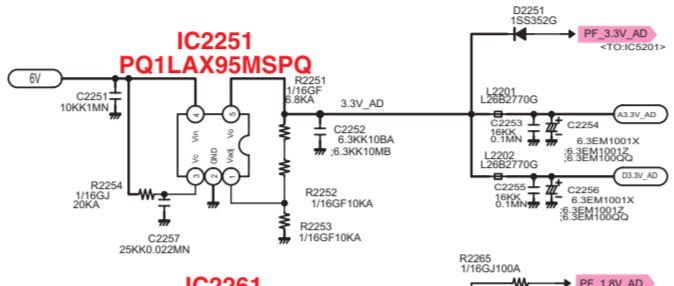
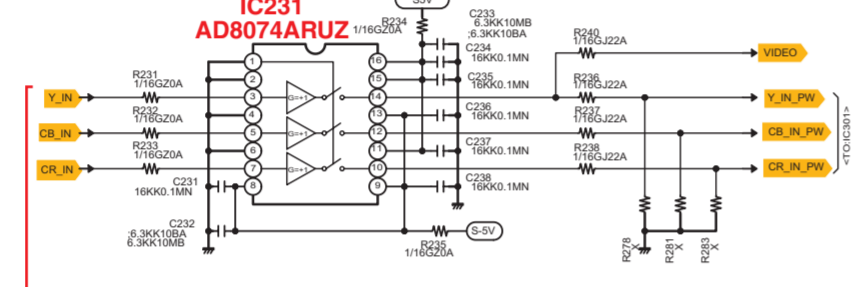
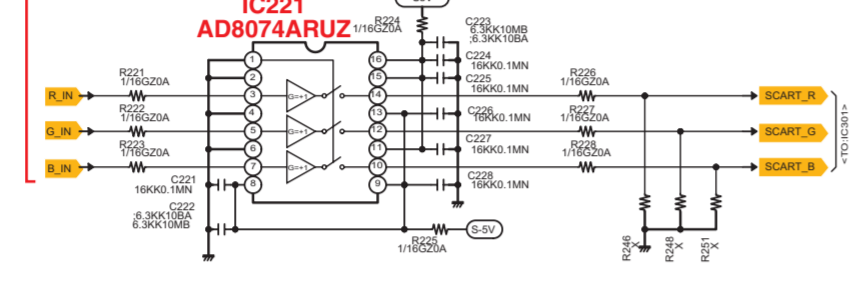
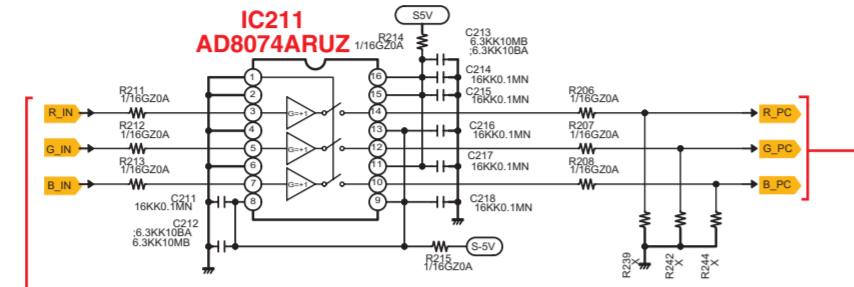
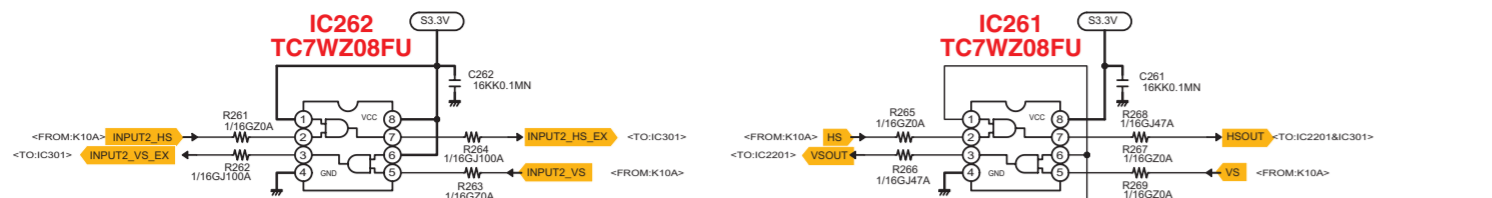
K21A FOR MAIN UNIT BOARD CONNECTOR

MAIN "K10A"

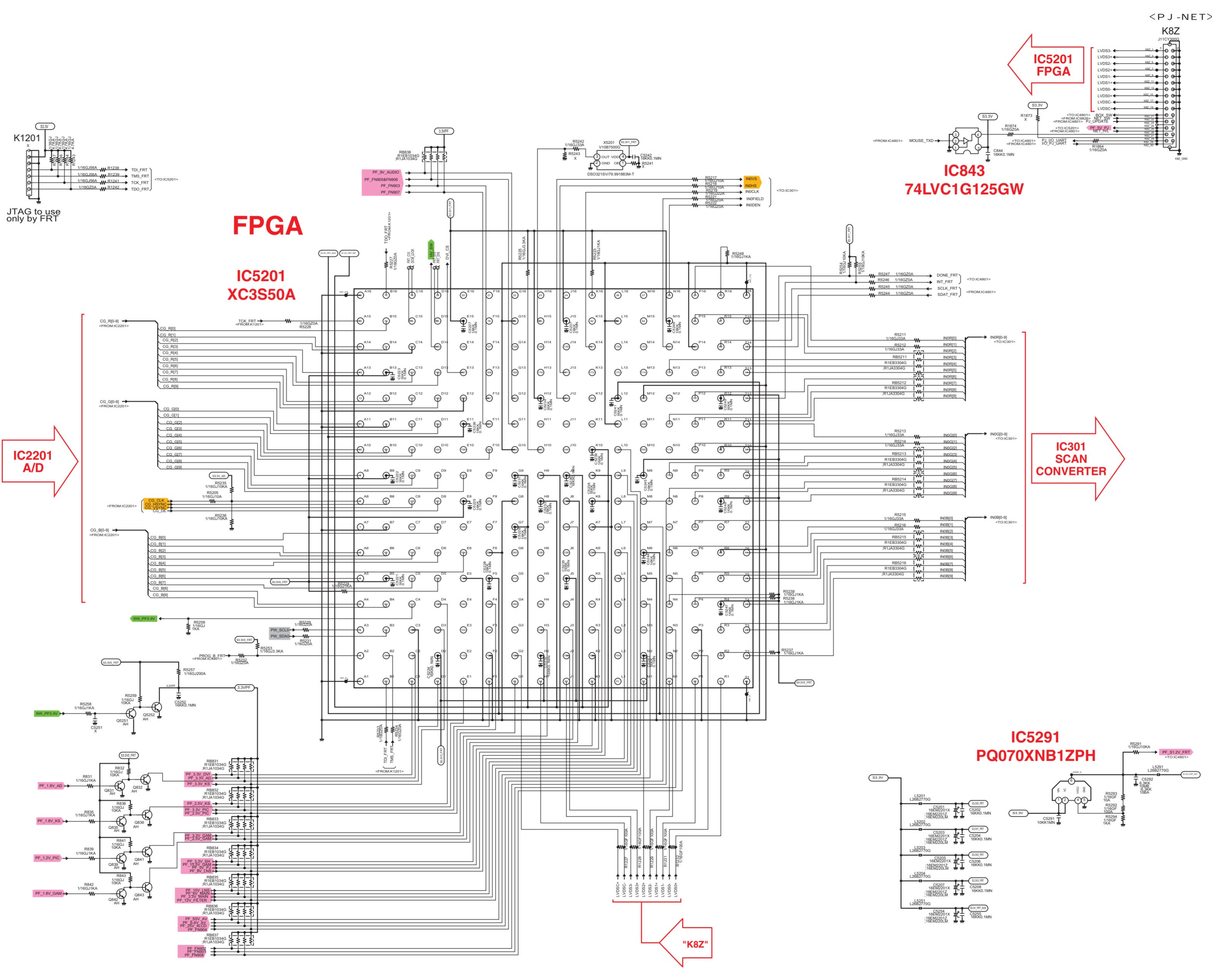
HOLE

A
B
C
D
E
F
G
H
I
J
K
L

A
B
C
D
E
F
G
H
I
J
K
L



MAIN-1



IC2201
A/D

IC5201
FPGA

IC843
74LVC1G125GW

IC301
SCAN
CONVERTER

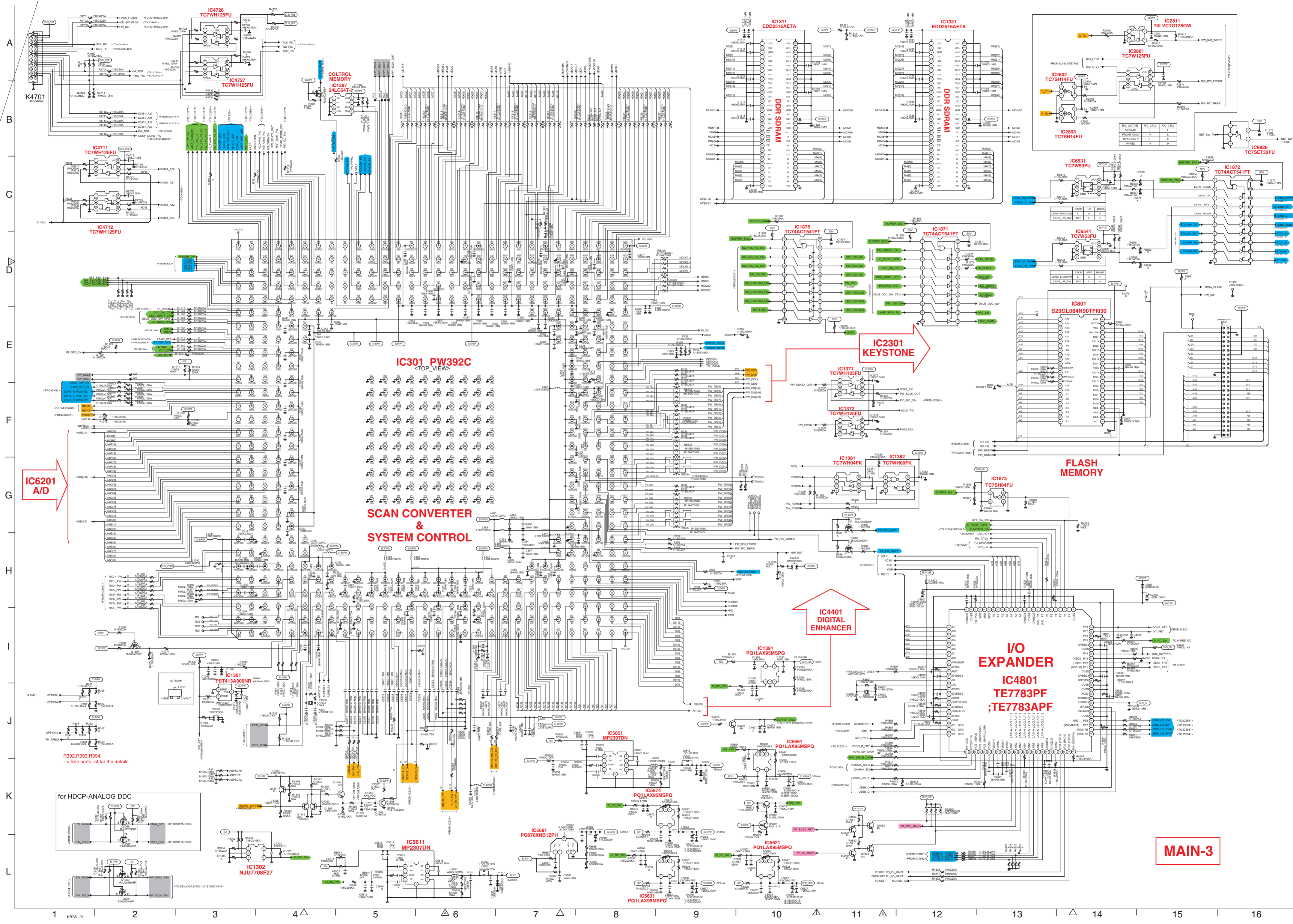
IC5291
PQ070XNB1ZPH

"K8Z"

MAIN-2

A
B
C
D
E
F
G
H
I
J
K
L

A
B
C
D
E
F
G
H
I
J
K
L



IC301 PW392C
SCAN CONVERTER & SYSTEM CONTROL

IC2301 KEYSTONE

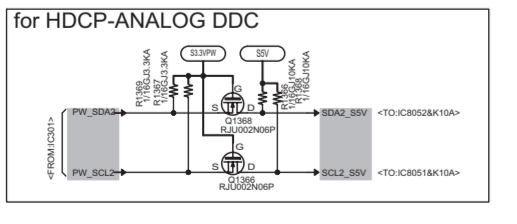
FLASH MEMORY

IC4001 DIGITAL ENHANCER

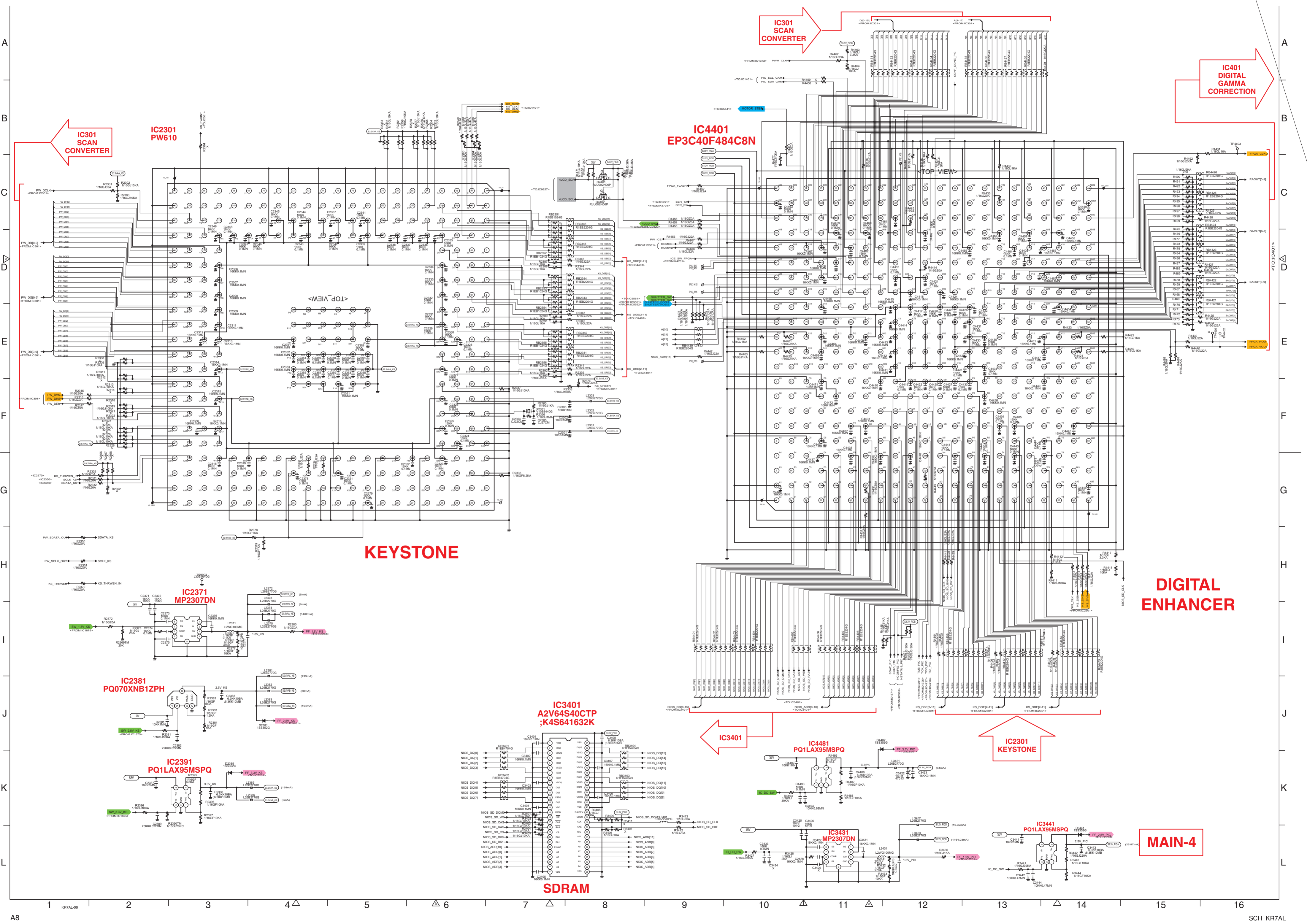
I/O EXPANDER
IC4801 TE7783PF;TE7783APF

MAIN-3

IC6201 A/D



R392, R393, R394
--> See parts list for the details



IC301
SCAN
CONVERTER

IC401
DIGITAL
GAMMA
CORRECTION

IC4401
EP3C40F484C8N

KEYSTONE

DIGITAL
ENHANCER

IC3401
A2V64S40CTP
;K4S641632K

SDRAM

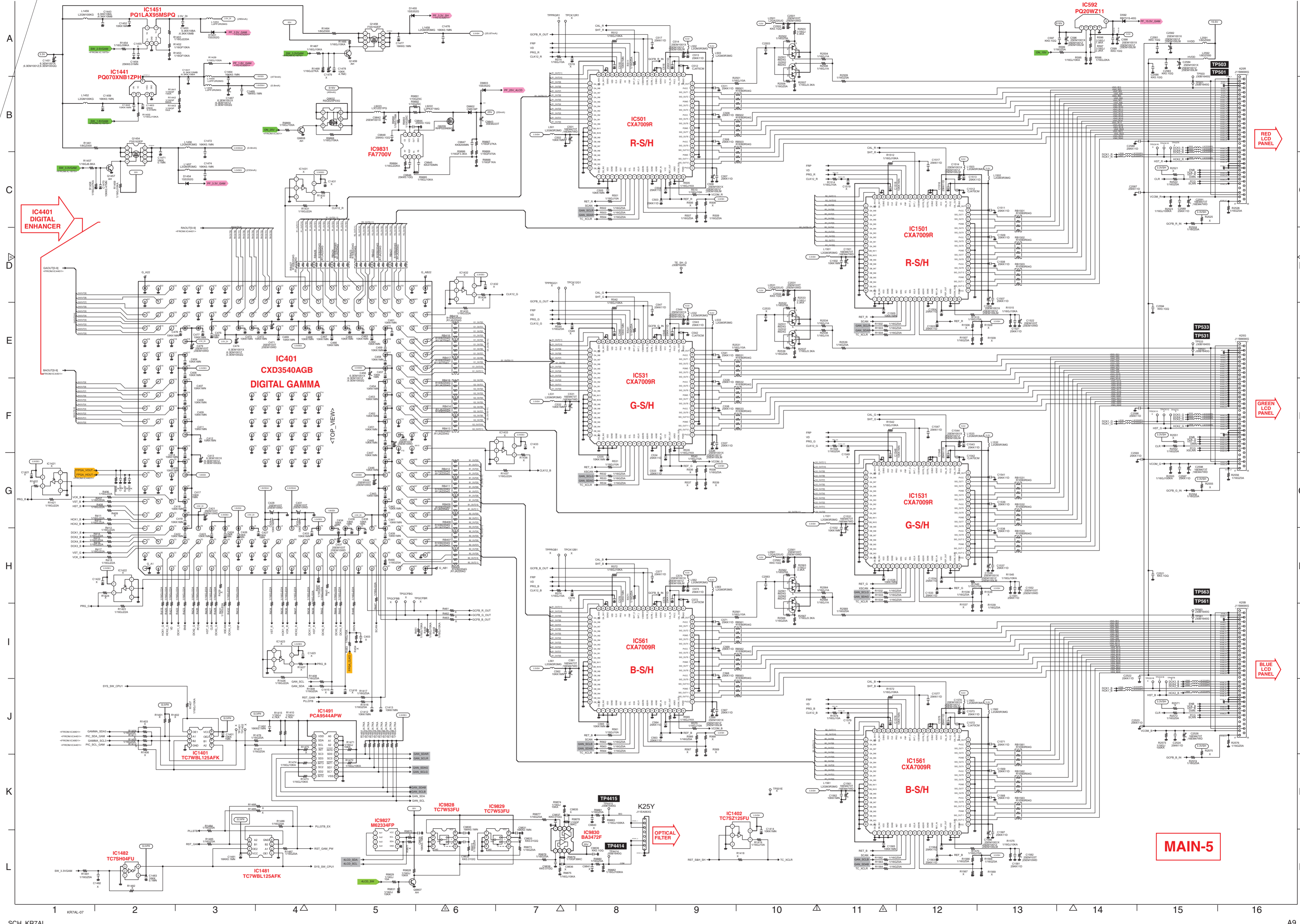
IC2301
KEYSTONE

MAIN-4

A
B
C
D
E
F
G
H
I
J
K
L

A
B
C
D
E
F
G
H
I
J
K
L

1 KR7AL-06 2 3 4 5 6 7 8 9 10 11 12 13 14 15 16 SCH_KR7AL



IC4401
DIGITAL
ENHANCER

IC401
CXD3540AGB
DIGITAL GAMMA

IC501
CXA7009R
R-S/H

IC531
CXA7009R
G-S/H

IC561
CXA7009R
B-S/H

IC1501
CXA7009R
R-S/H

IC1531
CXA7009R
G-S/H

IC1561
CXA7009R
B-S/H

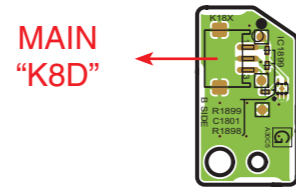
MAIN-5

Printed Wiring Board Diagrams

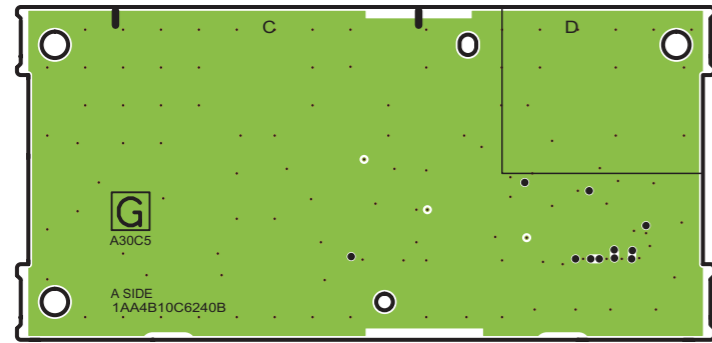
SENSOR (SIDE:A)



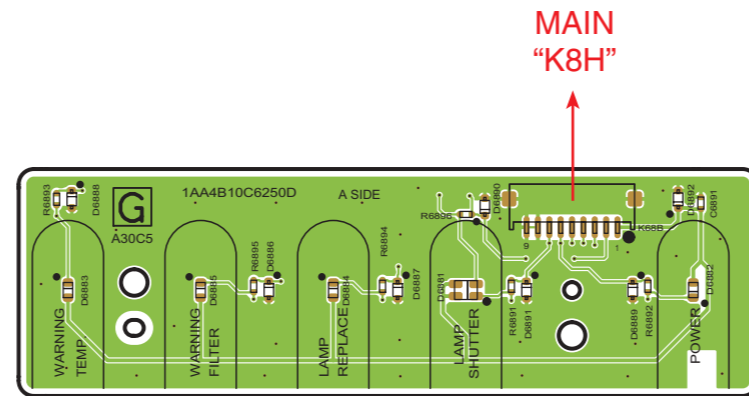
SENSOR (SIDE:B)



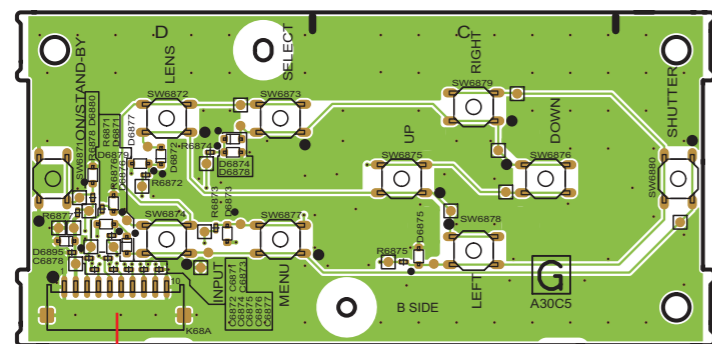
CONTROL (SIDE:A)



LED (SIDE:A)

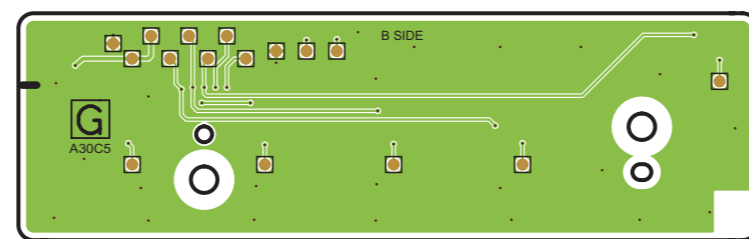


CONTROL (SIDE:B)

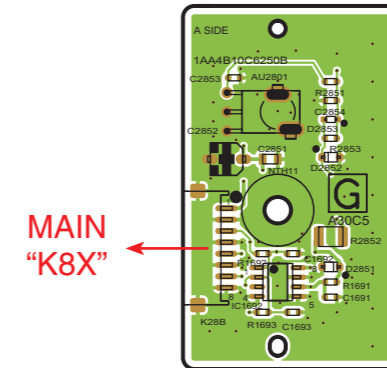


MAIN
"K8J"

LED (SIDE:B)

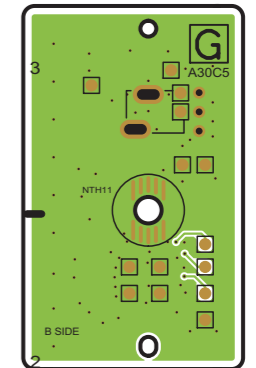


R/C FRONT (SIDE:A)

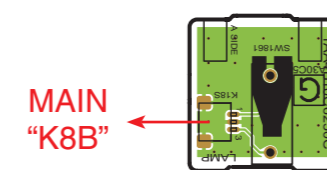


MAIN
"K8X"

R/C FRONT (SIDE:B)

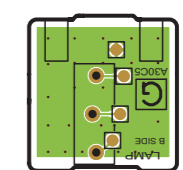


COVER SW (SIDE:A)



MAIN
"K8B"

COVER SW (SIDE:B)

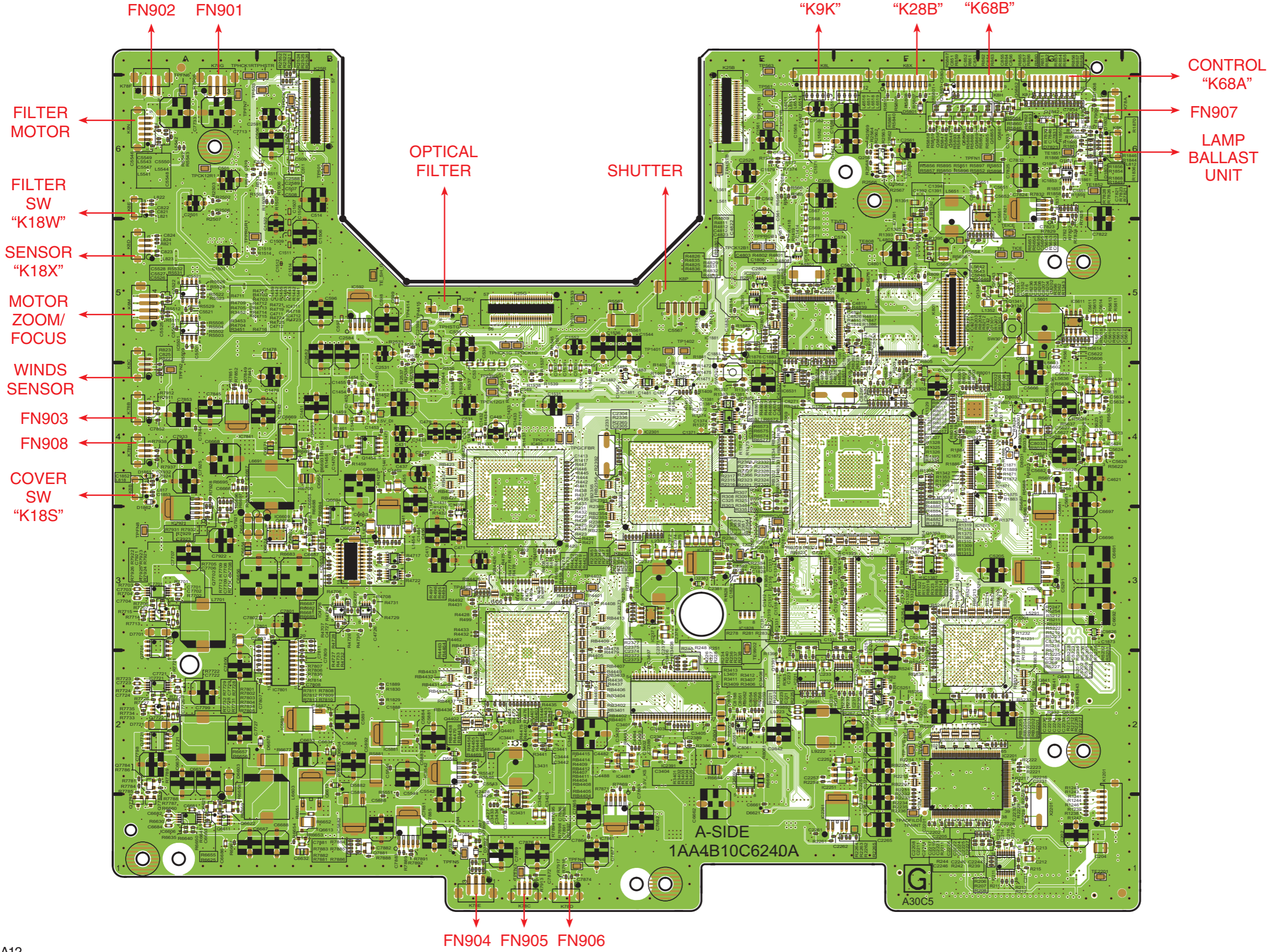


⚠ CAUTION

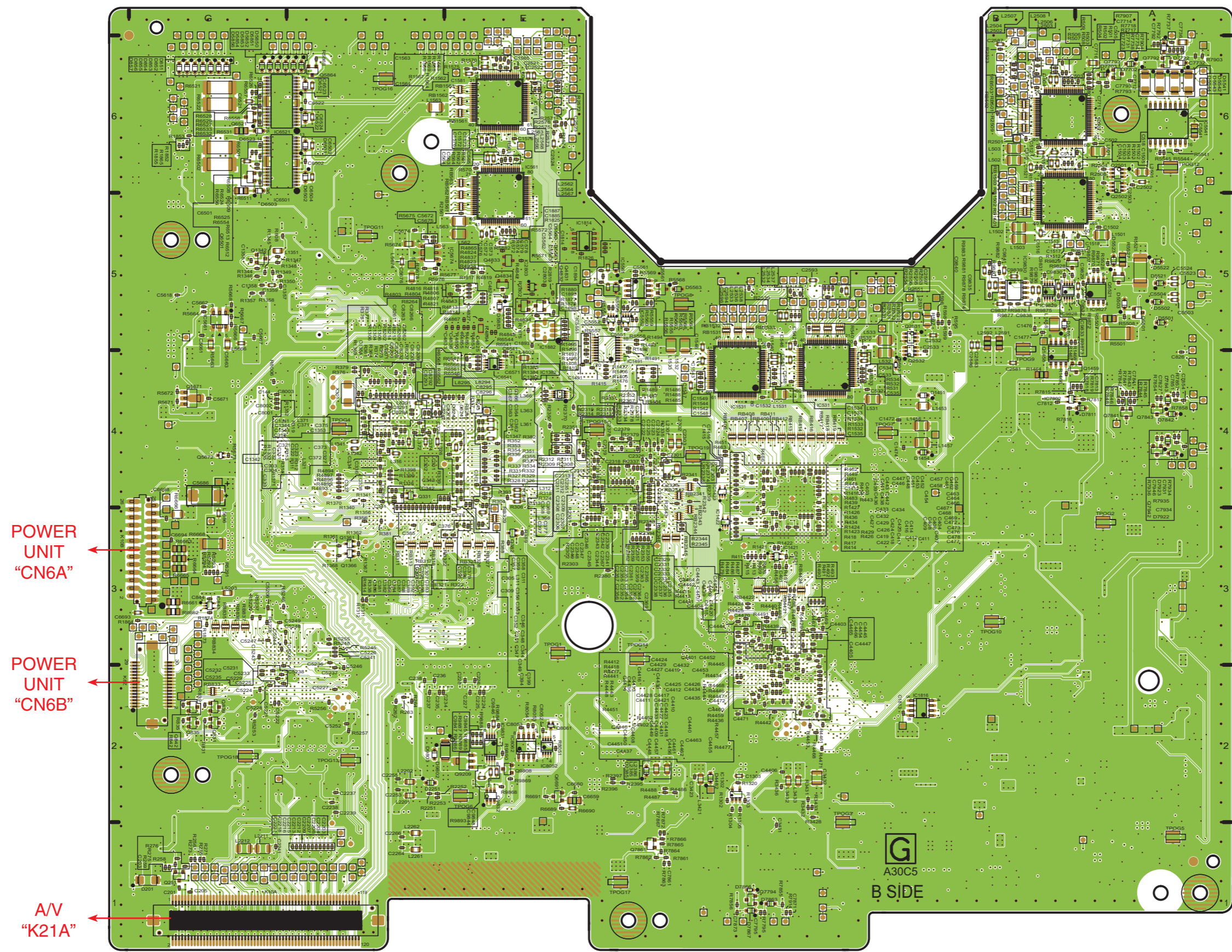
This projector is isolated from AC line by using the internal converter transformer. Please pay attention to the following notes in servicing

1. Do not touch the part on hot side (primary circuit) or both parts on hot and cold sides (secondary circuit) at the same time.
2. Do not shorten the circuit between hot and cold sides.
3. The grounding lead must be connected to the ground of the same circuit when measuring of voltages and waveforms.

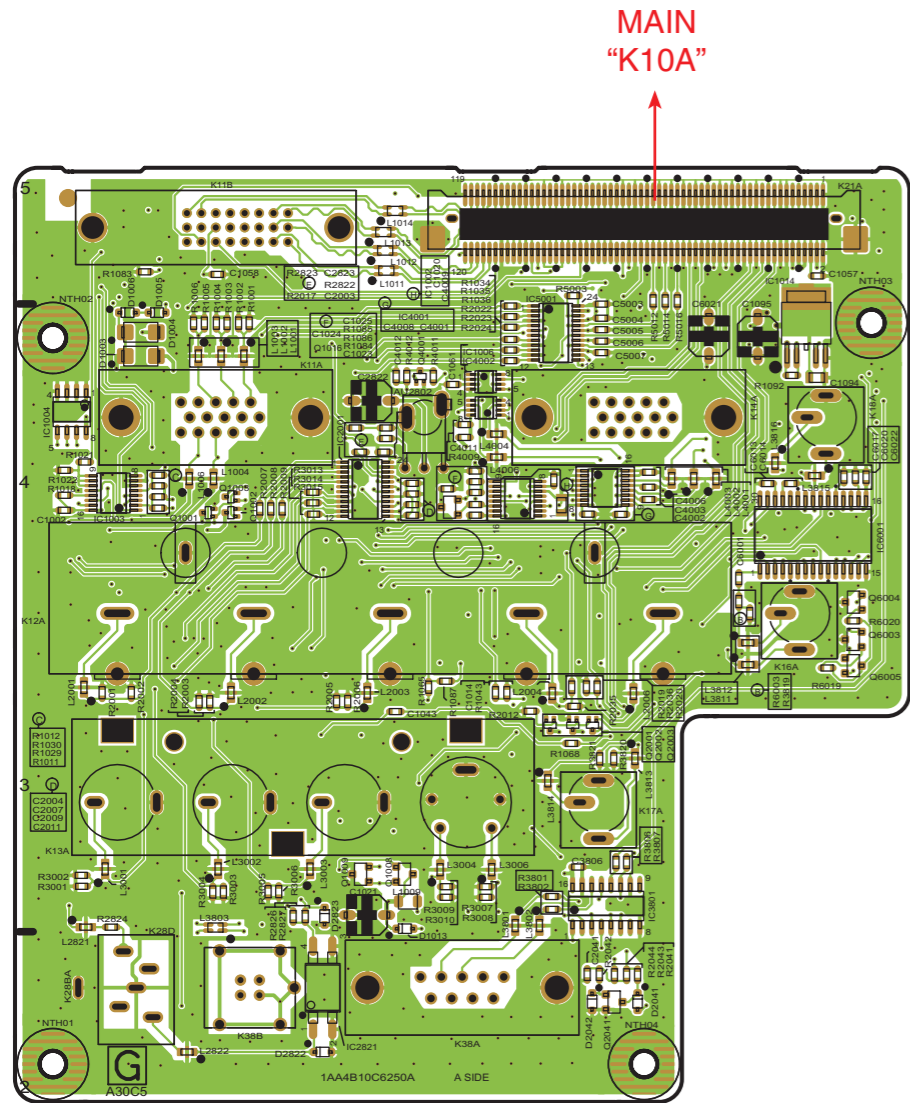
MAIN (SIDE:A)



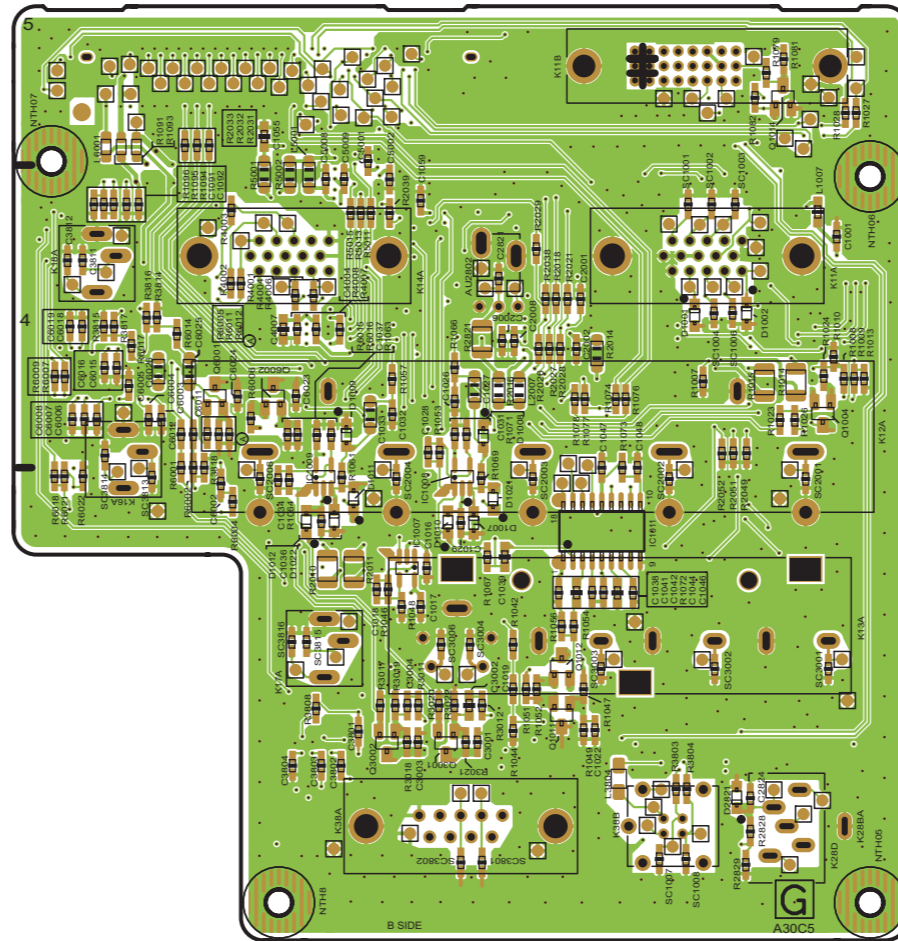
MAIN (SIDE:B)



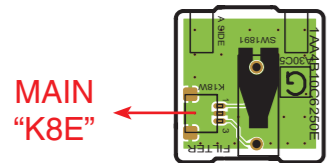
A/V (SIDE:A)



A/V (SIDE:B)



FILTER SW (SIDE:A)



FILTER SW (SIDE:B)

