

POLARIZATION PHENOMENA IN ELASTIC BACKWARD P-D SCATTERING

A.P.Ierusalimov^a, G.I.Lykasov^a, M.Viviani^b

^a *Joint Institute for Nuclear Research, Dubna,
141980, Moscow region, Russia*

^b *Dipartimento di Fisica "E.Fermi", Università di Pisa,
and INFN, I-56100, Pisa, Italy*

OUTLOOK

- I. Motivation to study elastic P-D scattering*
- II. One-nucleon exchange model*
- III. More complicated reaction mechanism*
- IV. Relativistic effects within the light cone dynamics*
- V. Results and discussion*
- VI. Summary*

p-d scattering graphs

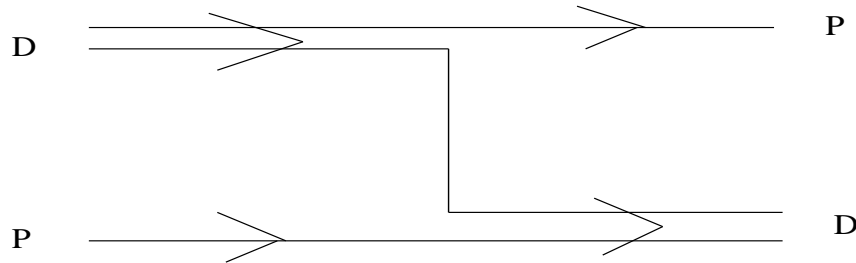


Figure 1: The ONE graph for $dp \rightarrow pd$.

Nonrelativistic ONE

(*A.K.Kerman and L.S.Kisslinger, Phys.Rev.***180**,1483 (1969))

$$\frac{d\sigma}{d\Omega_{c.m.s.}} = (2\pi)^4 \left(\frac{E_p^* E_d^*}{E_{tot}^*} \right)^2 \frac{(k_d^2 + \Delta^2)^2}{m^2} | \Psi_d(\Delta) |^4 ,$$

where $\Delta = | \frac{1}{2} \mathbf{P}_{d'}^* - \mathbf{p}^* |$; E_p^*, E_d^* are the energies of initial proton and deuteron in the c.m.s., $E_{tot}^* = E_p^* + E_d^*$

Relativistic covariant ONE

(1. *F.Gross, J.W.VanOrden and Karl Holinde, Phys.Rev.C45,2094 (1992); C41,R1909(1990)*

2. *A.Yu.Illarionov,G.L., Phys.Rev.C64, 044004 (2001)*)

$$\frac{d\sigma}{d\Omega}|_{c.m.s.} = \frac{6\pi^2}{s} m^2 (m^2 - u)^2 | \Psi_d(q_s^2) |^4 ,$$

where u is the square of momentum transfer from initial deuteron to final proton; $q_s^2 = \frac{1}{4}s_{12} - m^2$, $s_{12} = (k_1 + k_2)^2$, k_1, k_2 are the four-momenta of neutron and proton of deuteron.

In Ref.[1] it has been shown that the P -wave component in the deuteron wave function can be appeared in the relativistic approach. The relation of the tensor analyzing power T_{20} and the polarization transfer κ_0 to the P -wave components of the d.w.f was found in Ref.[2] within the relativistic covariant ONE model.

Light cone dynamics

(S.Weinberg *Phys.Rev.C***150**,1313 (1966); S.J.Brodsky, et.al., *Phys.Rev.D***8**,4574(1973)
L.L.Frankfurt, M.I.Strikman *Phys.Rep.***C76**, 215 (1981); V.A.Karmanov, *EPAN* **19**, 525 1988);
A.P.Kobushkin, L.J.Vizireva, *J.Phys.G:Nucl.Phys.* **8**, 893 (1982); M.A.Braun, M.V.Tokarev, *EPAN*,
22, 1237 (1991); L.S.Ahgirey, N.P.Yudin, *Yad.Fiz.*, **63**, 2280 (2000).)

$$P_d(P + \frac{M_d^2}{2P}, O_t, P) ; k_1(xP + \frac{m_t^2}{2xP}, k_t, xP) ; k_2((1-x)P + \frac{m_t^2}{2(1-x)P}, k_t, (1-x)P) ,$$

where $x = (E_N(p) + p_z)/(E_d(p_d) + p_{dz})$

$$\Psi_d(x, k_t) = \left(\frac{m_t^2}{4x(1-x)} \right)^{1/4} \Phi_{n.r.}(k^2) ,$$

where

$$k^2 = \frac{m_t^2}{4x(1-x)} - m^2$$

Normalization of $\Psi_d(x, k_t)$:

$$\frac{1}{2} \int_0^1 \frac{dx}{x(1-x)} \int | \Psi_d(x, k_t) |^2 d^2 k_t = 1$$

Triangular graphs

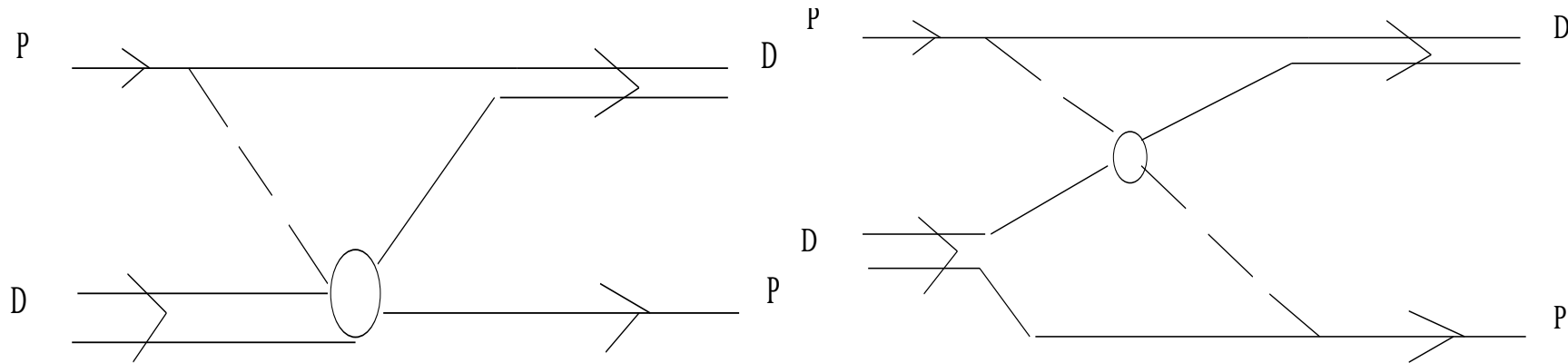


Figure 2: The triangular graph (left panel) and the more detailed graph (right panel) for $dp \rightarrow pd$.

Triangular diagrams

- For $pd \rightarrow dp$ within the conventional relativistic invariant approach: *G.W.Barry, Ann.Phys., 73,482 (1972)*
- For $dp \rightarrow pX$ within the relativistic invariant LCD and another approaches: *M.G.Dolidze, G.L., Z.Phys.A335,95 (1990); Z.Phys.A336,339 (1990); G.L.EPAN, 24, 140 (1993); L.G. Dachno, V.A.Nikonov, Yad.Fiz.,50, 1757 (1989); V.B.Kopeliovich, V.V.Rodomanov, JINR, R2-671 (1978); Yu.Uzikov, et.al.*

Old fashion perturbation theory within the light cone dynamics approach

- **The Green function**

$$G = \frac{1}{E_{inc} - E_{int} + i\epsilon} = \frac{2}{\sum_{inc} s_i/P - \sum_{int} s_i/P + i\epsilon},$$

where $s_i = \frac{m_{it}}{x_i}$, P is a large initial momentum.

- **The deuteron wave function**

$$\Psi_d(x, k_t) = \frac{\Gamma_d}{(s_d - s' - s + i\epsilon)\sqrt{x(1-x)}},$$

where Γ_d is the vertex corresponding to deuteron breakup to two nucleons

- **The pion form factor:** $F_\pi = \Lambda^2/(\Lambda^2 - t)$

Differential cross section

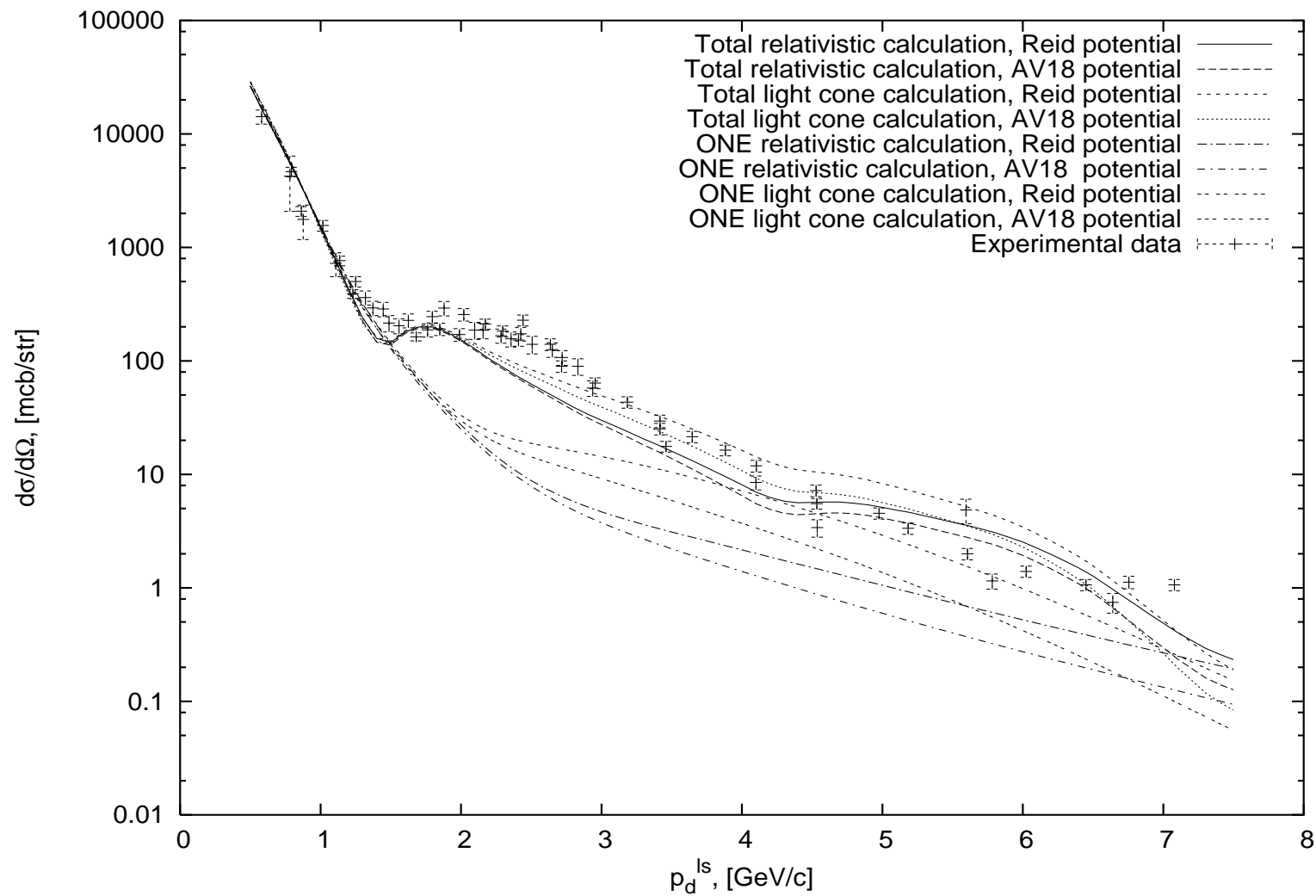


Figure 3: The differential cross sections for $dp \rightarrow pd$, $\Lambda = 1(GeV/c)^{-2}$.

Tensor polarization

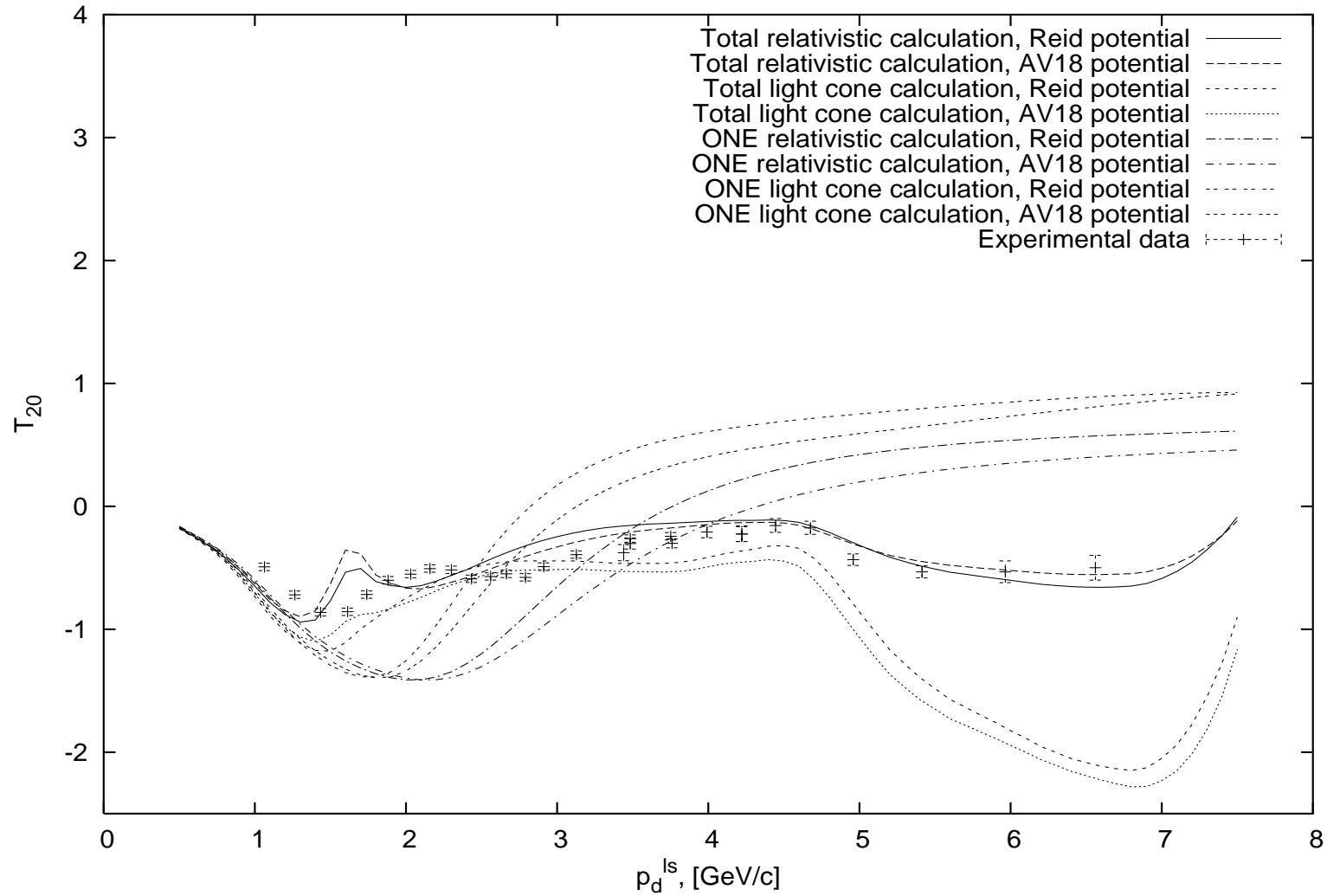


Figure 4: The tensor analyzing power for $dp \rightarrow pd$, $\Lambda = 1(\text{GeV}/c)^{-2}$.

Transfer polarization

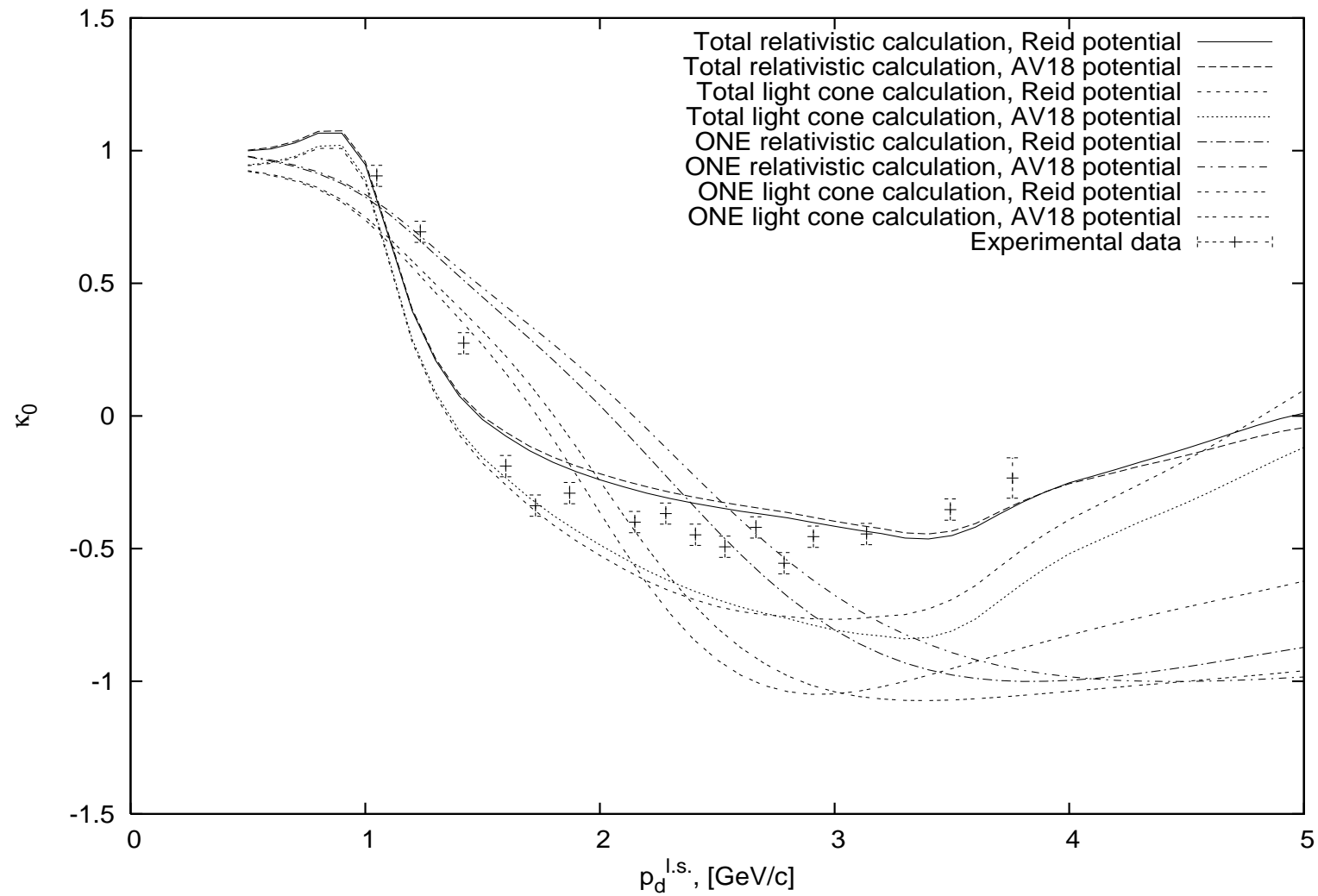


Figure 5: The transfer polarization for $dp \rightarrow pd$, $\Lambda = 1(\text{GeV}/c)^{-2}$.

SUMMARY

I. *The study of the elastic backward $P - D$ scattering as well as $P D \rightarrow P X$ process at moderate and high energies can give us a new information on the deuteron structure and the reaction mechanism.*

II. *It is shown that the application of the ONE model does not allow us to describe both the differential cross section and polarization observables in the elastic backward $P - D$ scattering.*

III. *Even the relativistic covariant ONE model including a possible P -state in a deuteron is not able to describe all the experimental data especially the polarization observables.*

IV. *A role of the more complicated reaction mechanism due to a possible production of a meson in the primary $N - N$ collision and its rescattering on another nucleon of deuteron is discussed.*

V. *The suggested reaction mechanism contributes significantly at*

initial energies corresponding to a creation of the Δ -isobar in the $\pi - N$ rescattering.

VI. The calculation both the ONE graph and the more complicated suggested digrams within the relativistic approach results in the satisfactory description of all the existing experimental data on $d\sigma/d\Omega, T_{20}, \kappa_0$ as a functions of the initial energy.

VII. The same calculation within the non relativistic approach does not describe the experimental data satisfactory.

VIII. It is shown a some advantage of the relativistic covariant calculation of the Feynman graphs in comparison to the same computation within the light cone dynamics.

IX. The use of the Argon V18 $N - N$ potential allows us to describe all the data rather better than the application of another potentials.